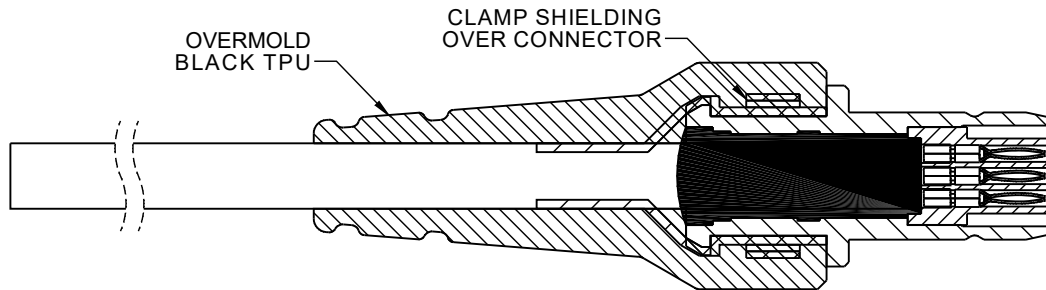
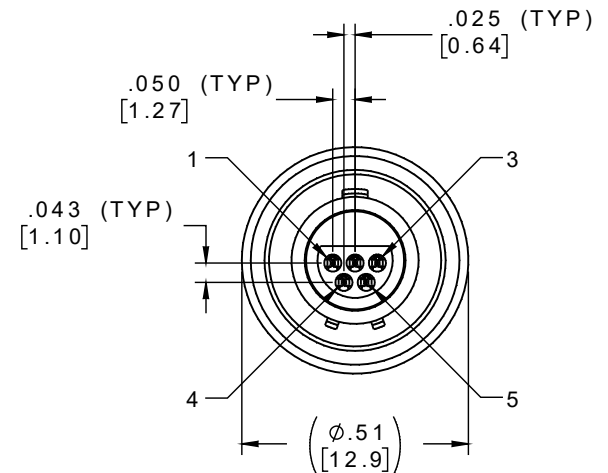
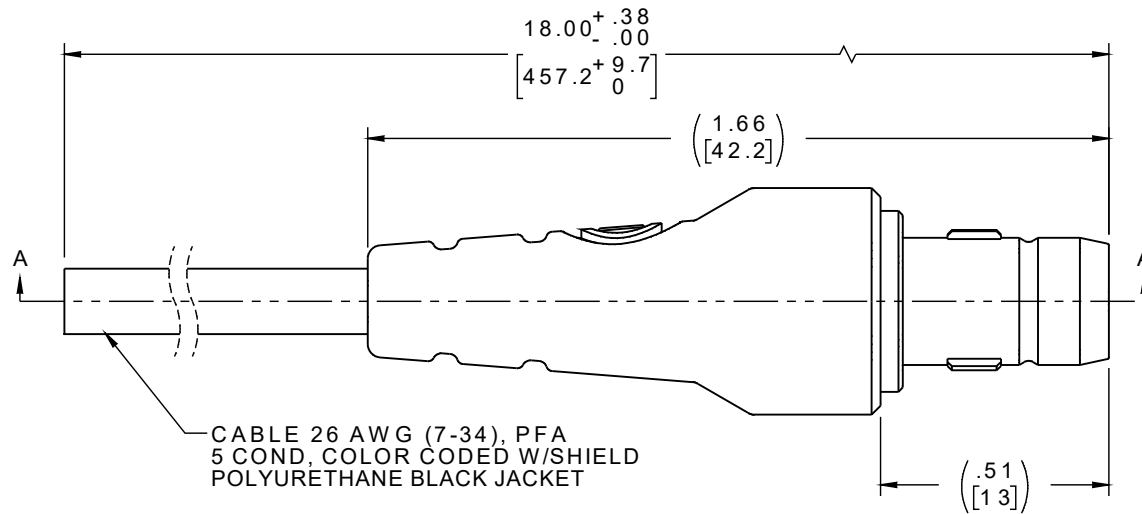


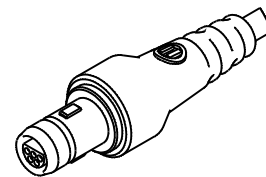
PART NO.	A22458-001	REV	ECO	DATE	APP
		A	102904	09-24-16	TLM



SECTION A-A

PIN #	COLOR
1	BLACK
2	BROWN
3	RED
4	ORANGE
5	YELLOW

INTERNAL USE ONLY
USE MFG LOADING
PROCEDURE MC-5P



ACTUAL SIZE
EXCLUDING CABLE LENGTH

IP68

NOTES:

- DIMENSIONS IN [] ARE IN MILLIMETERS UNLESS OTHERWISE NOTED AND ARE FOR REFERENCE ONLY
- OVERMOLD PER IPC-WHMA-A-620, CLASS 3

KBMPLSDW	THIRD ANGLE	THIS DRAWING CONTAINS CONFIDENTIAL AND PROPRIETARY INFORMATION WHICH IS THE PROPERTY OF OMNETICS CONNECTOR CORP. THIS DOCUMENT MAY NOT, IN WHOLE OR IN PART, BE DUPLICATED, OR DISCLOSED FOR ANY PURPOSE, WITHOUT WRITTEN PERMISSION FROM OMNETICS CONNECTOR CORP.	DATE	TITLE:	
	-TOLERANCES-		DFTM. JPF	(5) PIN MALE	
	UNLESS OTHERWISE NOTED		DATE	04-23-15	MICRO BREAK AWAY
	DIMENSIONS IN INCHES		DATE		SEALED CIRCULAR CONNECTOR
	2 PL DEC ± .01		DATE		
	3 PL DEC ± .005		DATE		
	4 PL DEC ± .0005		DATE		
	ANGLES ± 1°				

OMNETICS
CONNECTOR CORPORATION
7260 COMMERCE CIRCLE EAST
MINNEAPOLIS, MN 55432
WWW.OMNETICS.COM

CAGE CODE 61873	
DWG NO. A22458-001	
SHEET 1 OF 2	REV A
SCALE: 5:2	