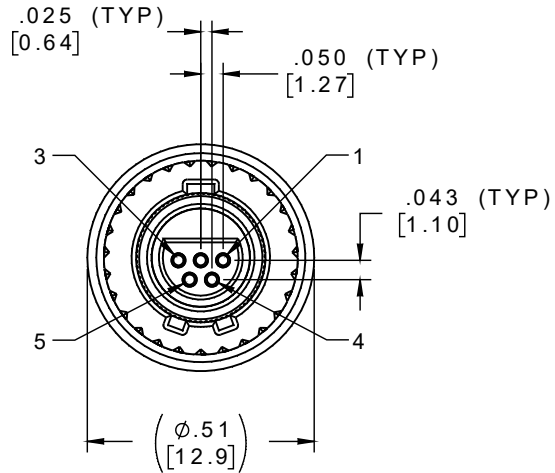
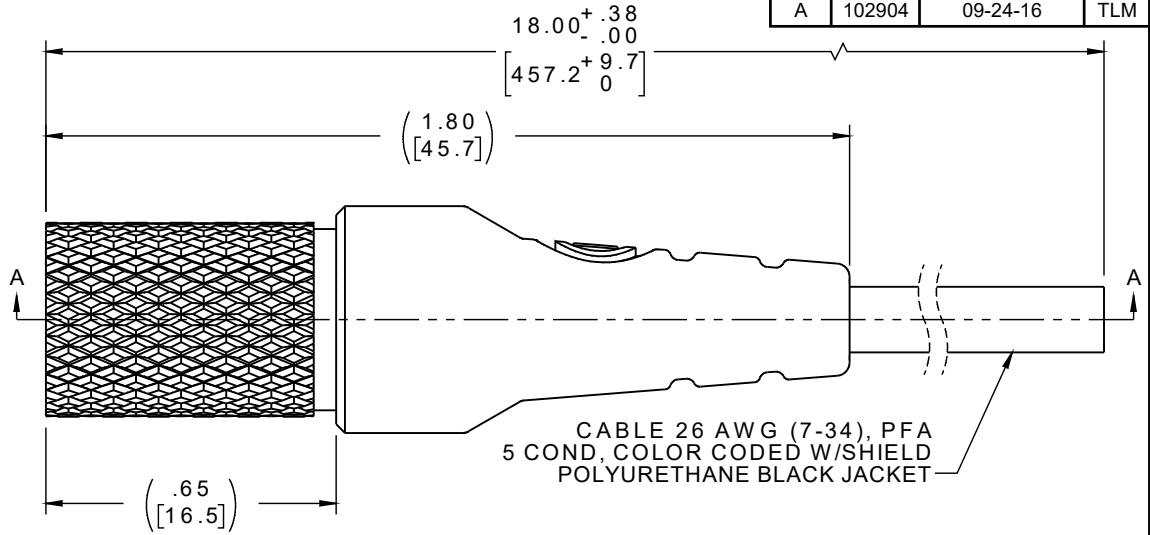


PART NO.	A 22455-001	REV	ECO	DATE	APP
		A	102904	09-24-16	TLM

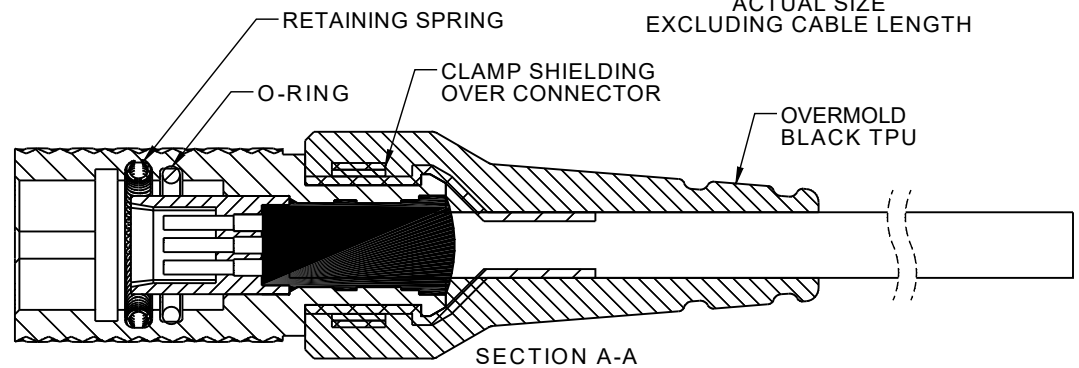
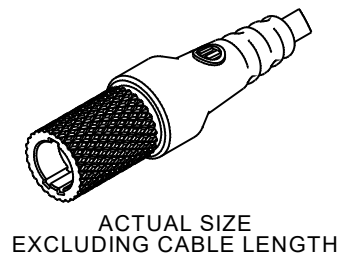


SOCKET #	COLOR
1	BLACK
2	BROWN
3	RED
4	ORANGE
5	YELLOW

INTERNAL USE ONLY
USE MFG LOADING
PROCEDURE MC-5S



CABLE 26 AWG (7-34), PFA
5 COND, COLOR CODED W/SHIELD
POLYURETHANE BLACK JACKET



NOTES:

- DIMENSIONS IN [] ARE IN MILLIMETERS UNLESS OTHERWISE NOTED AND ARE FOR REFERENCE ONLY
- OVERMOLD PER IPC-WHMA-A-620, CLASS 3

K E M S S L I D W	THIRD ANGLE	THIS DRAWING CONTAINS CONFIDENTIAL AND PROPRIETARY INFORMATION WHICH IS THE PROPERTY OF OMNETICS CONNECTOR CORP. THIS DOCUMENT MAY NOT, IN WHOLE OR IN PART, BE DUPLICATED, OR DISCLOSED FOR ANY PURPOSE, WITHOUT WRITTEN PERMISSION FROM OMNETICS CONNECTOR CORP.	
	-TOLERANCES- UNLESS OTHERWISE NOTED	DFTM. JPF	DATE 04-23-15
	DIMENSIONS IN INCHES	CHK'D.	DATE
	2 PL DEC ± .01 3 PL DEC ± .005 4 PL DEC ± .0005 ANGLES ± 1°	APP'D.	DATE

TITLE:
(5) SOCKET FEMALE
MICRO BREAK AWAY
SEALED CIRCULAR CONNECTOR

OMNETICS
CONNECTOR CORPORATION
7260 COMMERCE CIRCLE EAST
MINNEAPOLIS, MN 55432
WWW.OMNETICS.COM

IP68

CAGE CODE 61873	
DWG NO. A 22455-001	
SHEET 1 OF 2	REV A
SCALE: 5:2	