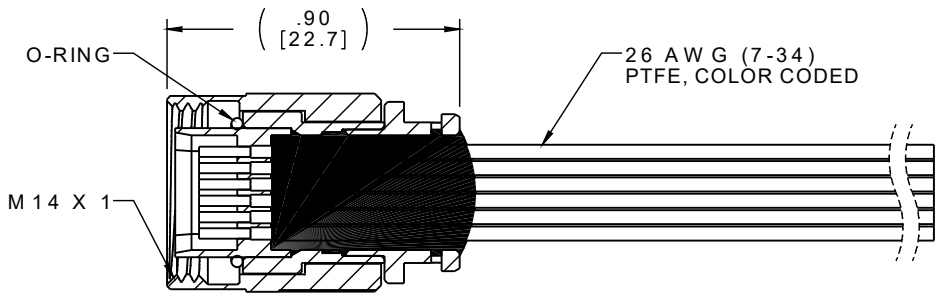
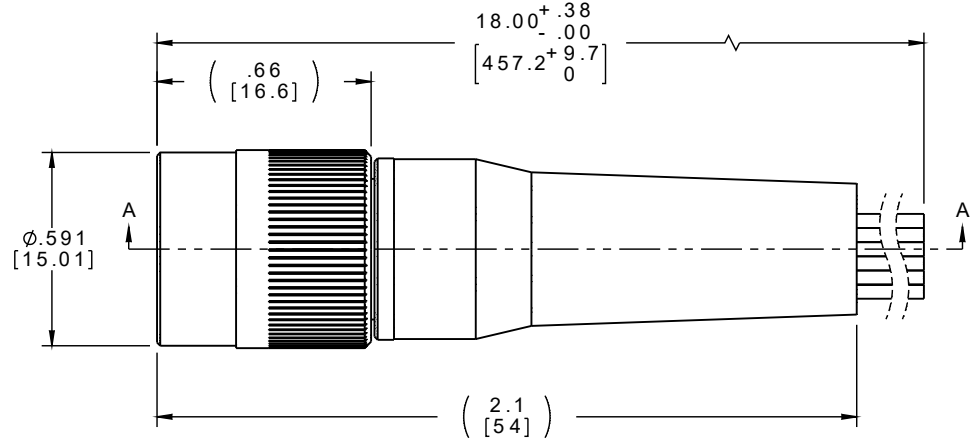
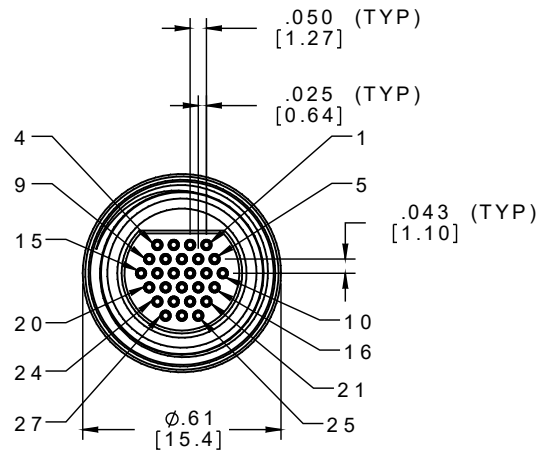
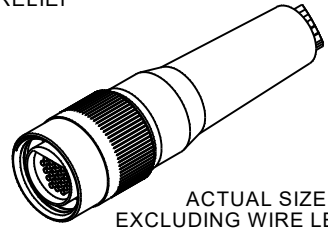


PART NO.	A22387-001	REV	ECO	DATE	APP
		A	100923	10-01-14	TLM



INTERNAL USE ONLY
USE MFG LOADING
PROCEDURE MC-27S-1

SECTION A-A
LESS STRAIN RELIEF



ACTUAL SIZE
EXCLUDING WIRE LENGTH

NOTE:
DIMENSIONS IN [] ARE IN
MILLIMETERS UNLESS
OTHERWISE NOTED AND ARE
FOR REFERENCE ONLY

SOCKET #	COLOR		
1	BLACK	17	WHT/BLUE
2	BROWN	18	WHT/VIOLET
3	RED	19	WHT/GRAY
4	ORANGE	20	WHT/BLK/BRN
5	YELLOW	21	WHT/BLK/RED
6	GREEN	22	WHT/BLK/ORG
7	BLUE	23	WHT/BLK/YEL
8	VIOLET	24	WHT/BLK/GRN
9	GRAY	25	WHT/BLK/BLU
10	WHITE	26	WHT/BLK/VIO
11	WHT/BLACK	27	WHT/BLK/GRY
12	WHT/BROWN		
13	WHT/RED		
14	WHT/ORANGE		
15	WHT/YELLOW		
16	WHT/GREEN		

MFGS SOMI S	THIRD ANGLE	THIS DRAWING CONTAINS CONFIDENTIAL AND PROPRIETARY INFORMATION WHICH IS THE PROPERTY OF OMNETICS CONNECTOR CORP. THIS DOCUMENT MAY NOT, IN WHOLE OR IN PART, BE DUPLICATED, OR DISCLOSED FOR ANY PURPOSE, WITHOUT WRITTEN PERMISSION FROM OMNETICS CONNECTOR CORP.	DFTM. TLM	DATE	TITLE:
	-TOLERANCES-		09-04-14	(27) SOCKET FEMALE	
	UNLESS OTHERWISE NOTED		CHK'D.		CIRCULAR CONNECTOR
	DIMENSIONS IN INCHES		APP'D.		W/METAL SHELL

OMNETICS
CONNECTOR CORPORATION
7260 COMMERCE CIRCLE EAST
MINNEAPOLIS, MN 55432
WWW.OMNETICS.COM

CAGE CODE	61873
DWG NO.	A22387-001
SHEET 1 OF 2	REV A
SCALE:	2:1