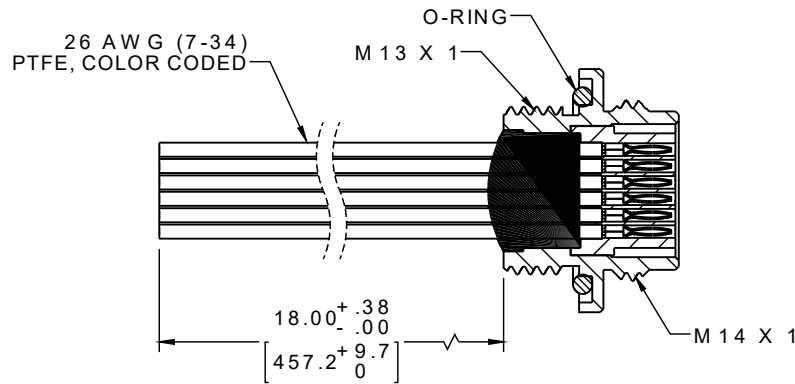
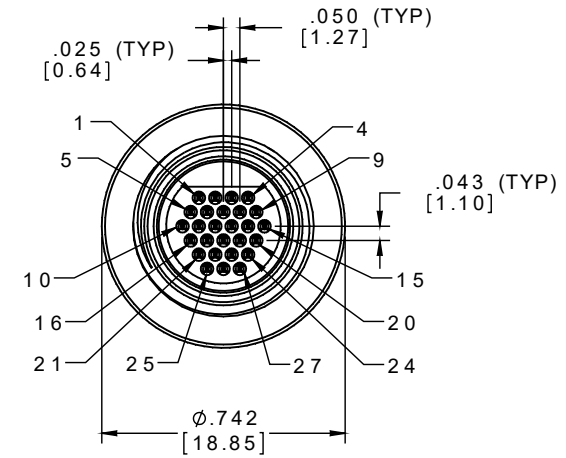
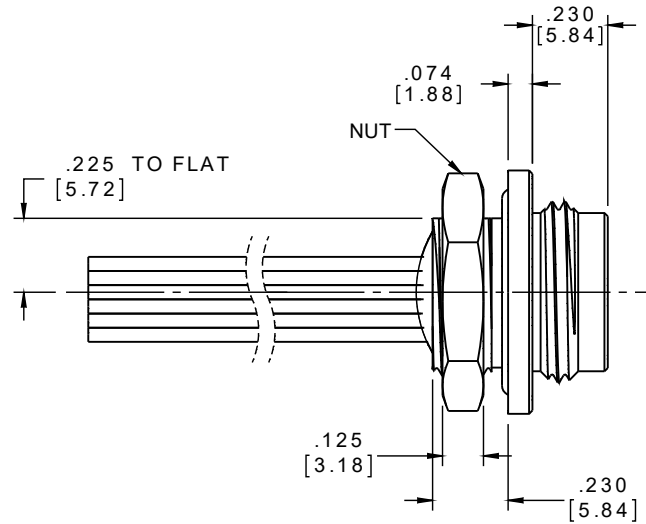
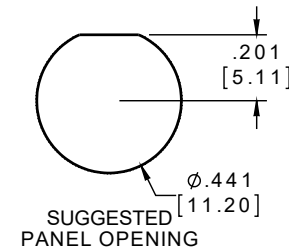


PART NO.	A22386-001	REV	ECO	DATE	APP
		A	101092	11-24-14	TLM

PIN #	COLOR
1	BLACK
2	BROWN
3	RED
4	ORANGE
5	YELLOW
6	GREEN
7	BLUE
8	VIOLET
9	GRAY
10	WHITE
11	WHT/BLK
12	WHT/BRN
13	WHT/RED
14	WHT/ORN
15	WHT/YEL
16	WHT/GRN
17	WHT/BLU
18	WHT/VIO
19	WHT/GRY
20	WHT/BLK/BRN
21	WHT/BLK/RED
22	WHT/BLK/ORN
23	WHT/BLK/YEL
24	WHT/BLK/GRN
25	WHT/BLK/BLU
26	WHT/BLK/VIO
27	WHT/BLK/GRY



VIEW LESS NUT



SUGGESTED PANEL OPENING



ACTUAL SIZE EXCLUDING WIRE LENGTH

INTERNAL USE ONLY
USE MFG LOADING
PROCEDURE MC-27P-1

NOTE:

DIMENSIONS IN [] ARE IN MILLIMETERS UNLESS OTHERWISE NOTED AND ARE FOR REFERENCE ONLY

MMCP ISLDW	THIRD ANGLE
	-TOLERANCES-
	UNLESS OTHERWISE NOTED
	DIMENSIONS IN INCHES
2 PL DEC: .01	
3 PL DEC: .005	
4 PL DEC: .0005	
ANGLES: *	

THIS DRAWING CONTAINS CONFIDENTIAL AND PROPRIETARY INFORMATION WHICH IS THE PROPERTY OF OMNETICS CONNECTOR CORP. THIS DOCUMENT MAY NOT, IN WHOLE OR IN PART, BE DUPLICATED, OR DISCLOSED FOR ANY PURPOSE, WITHOUT WRITTEN PERMISSION FROM OMNETICS CONNECTOR CORP.	
DFTM. TLM	DATE 10-13-14
CHK'D.	DATE
APP'D.	DATE

OMNETICS
CONNECTOR CORPORATION
7260 COMMERCE CIRCLE EAST
MINNEAPOLIS, MN 55432
WWW.OMNETICS.COM

CAGE CODE 61873	
DWG NO. A22386-001	
SHEET 1 OF 2	REV A
SCALE: 2:1	

TITLE:
(27) PIN MALE MICRO
THREADED PROTRUDING
PANEL MOUNT