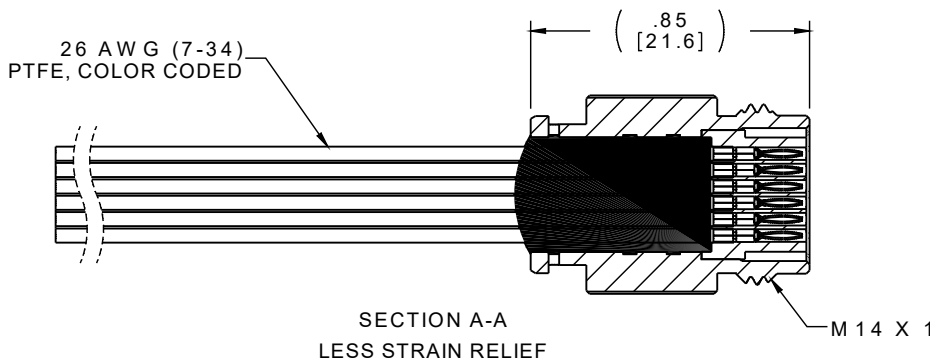
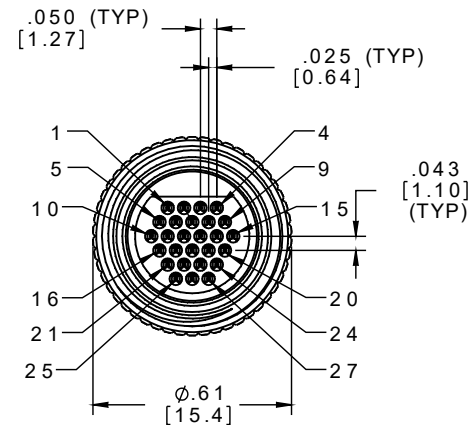
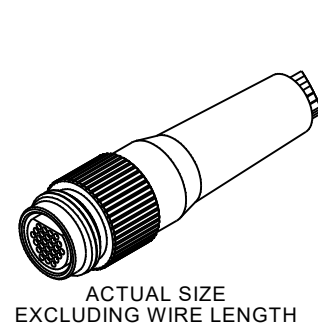
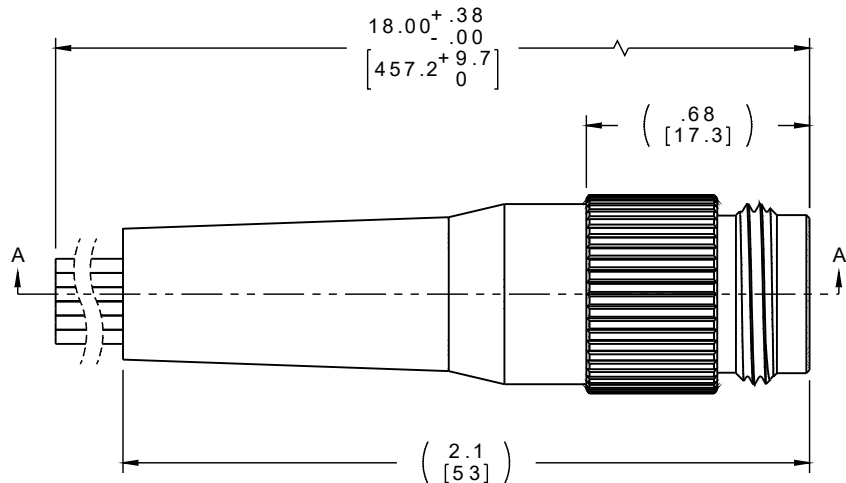


PART NO.	A22383-001	REV	ECO	DATE	APP
		B	101554	05-13-13	TLM



PIN #	COLOR	14	WHT/ORANGE
1	BLACK	15	WHT/YELLOW
2	BROWN	16	WHT/GREEN
3	RED	17	WHT/BLUE
4	ORANGE	18	WHT/VIOLET
5	YELLOW	19	WHT/GRAY
6	GREEN	20	WHT/BLK/BRN
7	BLUE	21	WHT/BLK/RED
8	VIOLET	22	WHT/BLK/ORG
9	GRAY	23	WHT/BLK/YEL
10	WHITE	24	WHT/BLK/GRN
11	WHT/BLACK	25	WHT/BLK/BLU
12	WHT/BROWN	26	WHT/BLK/VIO
13	WHT/RED	27	WHT/BLK/GRY

INTERNAL USE ONLY
USE MFG LOADING
PROCEDURE MC-27P-1

NOTE:
DIMENSIONS IN [] ARE IN MILLIMETERS UNLESS OTHERWISE NOTED AND ARE FOR REFERENCE ONLY

MIMCP #10 SLIM	THIRD ANGLE	THIS DRAWING CONTAINS CONFIDENTIAL AND PROPRIETARY INFORMATION WHICH IS THE PROPERTY OF OMNETICS CONNECTOR CORP. THIS DOCUMENT MAY NOT, IN WHOLE OR IN PART, BE DUPLICATED, OR DISCLOSED FOR ANY PURPOSE, WITHOUT WRITTEN PERMISSION FROM OMNETICS CONNECTOR CORP.	
	-TOLERANCES-	DFTM. TLM	DATE 04-08-14
	UNLESS OTHERWISE NOTED	CHK'D.	DATE
	DIMENSIONS IN INCHES	APP'D.	DATE
	2 PL DEC ± .01	TITLE: (27) PIN MALE CIRCULAR CONNECTOR W/METAL SHELL	
	3 PL DEC ± .005		
	4 PL DEC ± .0005		
	ANGLES ± 1°		

 7260 COMMERCE CIRCLE EAST MINNEAPOLIS, MN 55432 WWW.OMNETICS.COM	CAGE CODE 61873
	DWG NO. A22383-001
	SHEET 1 OF 2
	SCALE: 2:1
	REV B