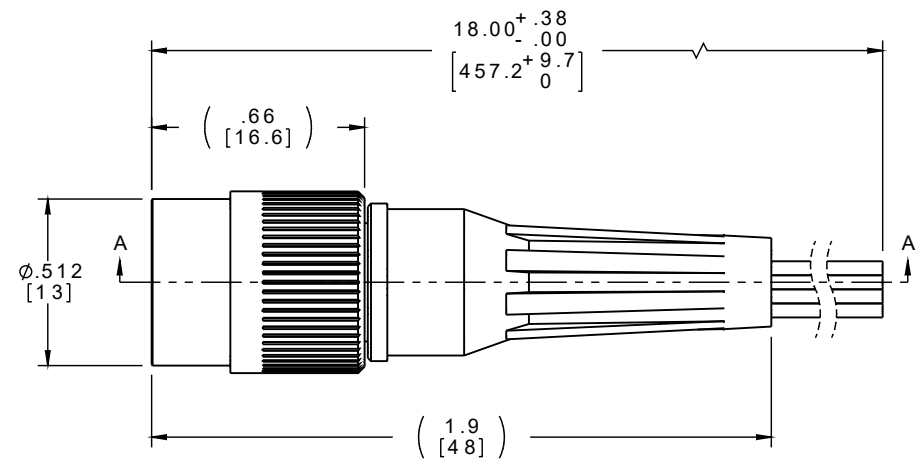
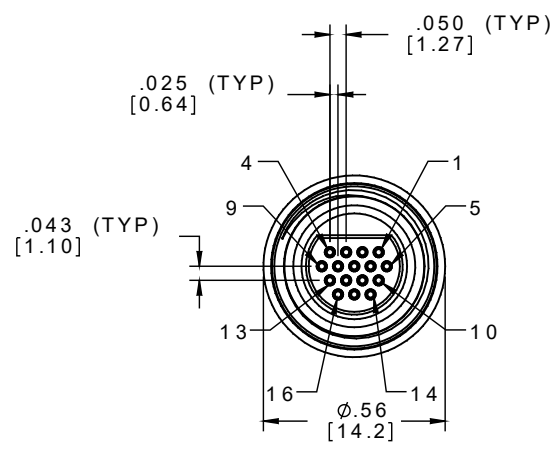
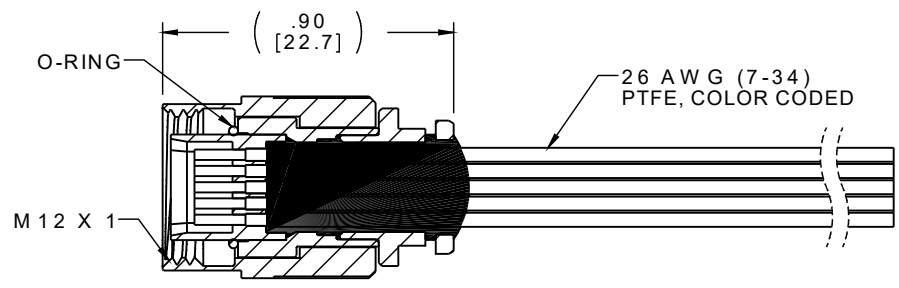


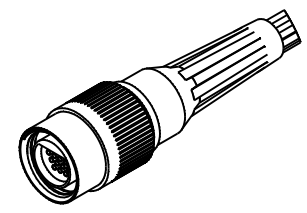
PART NO.	A 22382-001	REV	ECO	DATE	APP
		A	101420	03-24-15	TLM



SOCKET #	COLOR
1	BLACK
2	BROWN
3	RED
4	ORANGE
5	YELLOW
6	GREEN
7	BLUE
8	VIOLET
9	GRAY
10	WHITE
11	WHT/BLACK
12	WHT/BROWN
13	WHT/RED
14	WHT/ORANGE
15	WHT/YELLOW
16	WHT/GREEN



SECTION A-A
LESS STRAIN RELIEF



ACTUAL SIZE
EXCLUDING WIRE LENGTH

INTERNAL USE ONLY
USE MFG LOADING
PROCEDURE MC-16S-1

NOTE:

DIMENSIONS IN [] ARE IN MILLIMETERS UNLESS OTHERWISE NOTED AND ARE FOR REFERENCE ONLY

TOLERANCES UNLESS OTHERWISE NOTED DIMENSIONS IN INCHES	2 PL DEC+ .01
	3 PL DEC+ .005
	4 PL DEC+ .0005
	ANGLES ± 1°

THIRD ANGLE		THIS DRAWING CONTAINS CONFIDENTIAL AND PROPRIETARY INFORMATION WHICH IS THE PROPERTY OF OMNETICS CONNECTOR CORP. THIS DOCUMENT MAY NOT, IN WHOLE OR IN PART, BE DUPLICATED, OR DISCLOSED FOR ANY PURPOSE, WITHOUT WRITTEN PERMISSION FROM OMNETICS CONNECTOR CORP.	
DFTM. BCV	DATE	TITLE:	(16) SOCKET FEMALE CIRCULAR CONNECTOR W/METAL SHELL
CHK'D.	DATE		
APP'D.	DATE		

OMNETICS
CONNECTOR CORPORATION
7260 COMMERCE CIRCLE EAST
MINNEAPOLIS, MN 55432
WWW.OMNETICS.COM

CAGE CODE 61873	
DWG NO. A22382-001	
SHEET 1 OF 2	REV A
SCALE: 2:1	