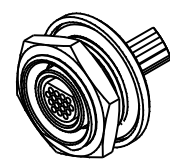
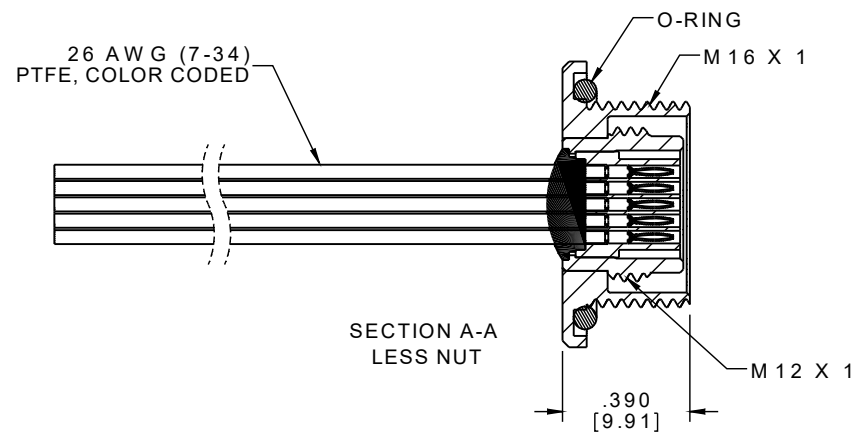
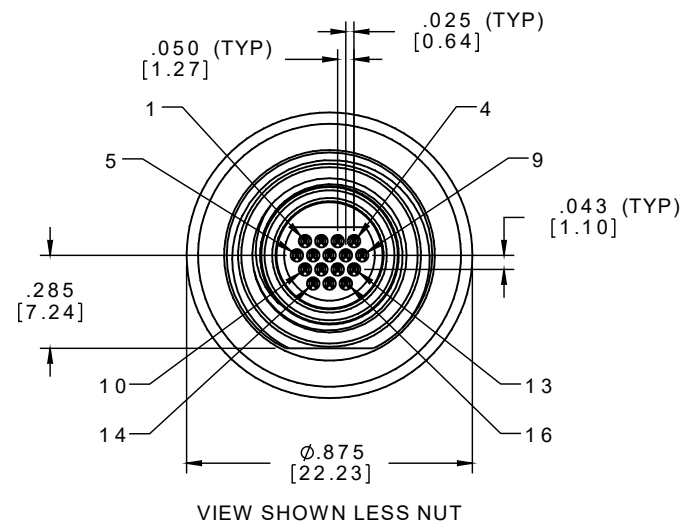
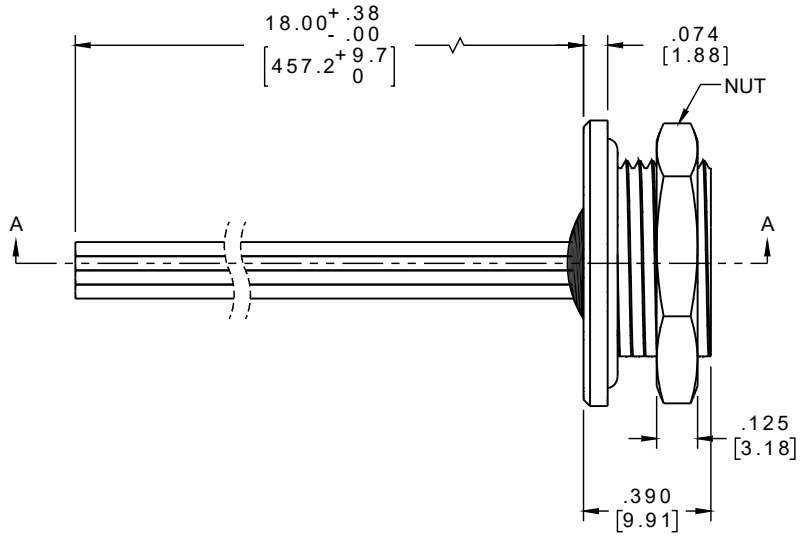


PART NO.	A 22380-001	REV	ECO	DATE	APP
		A	103496	05-26-17	TLM



ACTUAL SIZE EXCLUDING WIRE LENGTH

PIN #	COLOR
1	BLACK
2	BROWN
3	RED
4	ORANGE
5	YELLOW
6	GREEN
7	BLUE
8	VIOLET
9	GRAY
10	WHITE
11	WHT/BLACK
12	WHT/BROWN
13	WHT/RED
14	WHT/ORANGE
15	WHT/YELLOW
16	WHT/GREEN

INTERNAL USE ONLY
USE MFG LOADING
PROCEDURE MC-16P-1

NOTE:
DIMENSIONS IN [] ARE IN MILLIMETERS UNLESS OTHERWISE NOTED AND ARE FOR REFERENCE ONLY

MINI-D SLIDW	THIRD ANGLE
	-TOLERANCES-
	UNLESS OTHERWISE NOTED
	DIMENSIONS IN INCHES
2 PL DEC 2 .01	
3 PL DEC 2 .005	
4 PL DEC 2 .0005	
ANGLES ± 1°	

THIS DRAWING CONTAINS CONFIDENTIAL AND PROPRIETARY INFORMATION WHICH IS THE PROPERTY OF OMNETICS CONNECTOR CORP. THIS DOCUMENT MAY NOT, IN WHOLE OR IN PART, BE DUPLICATED, OR DISCLOSED FOR ANY PURPOSE, WITHOUT WRITTEN PERMISSION FROM OMNETICS CONNECTOR CORP.	
DFTM. TLM	DATE 04-
CHK'D.	DATE
APP'D.	DATE
TITLE: (16) PIN MALE CIRCULAR CONNECTOR W/METAL SHELL	

OMNETICS
CONNECTOR CORPORATION
7260 COMMERCE CIRCLE EAST
MINNEAPOLIS, MN 55432
WWW.OMNETICS.COM

CAGE CODE 61873
DWG NO. A22380-001
SHEET 1 OF 2
SCALE: 2:1
REV A