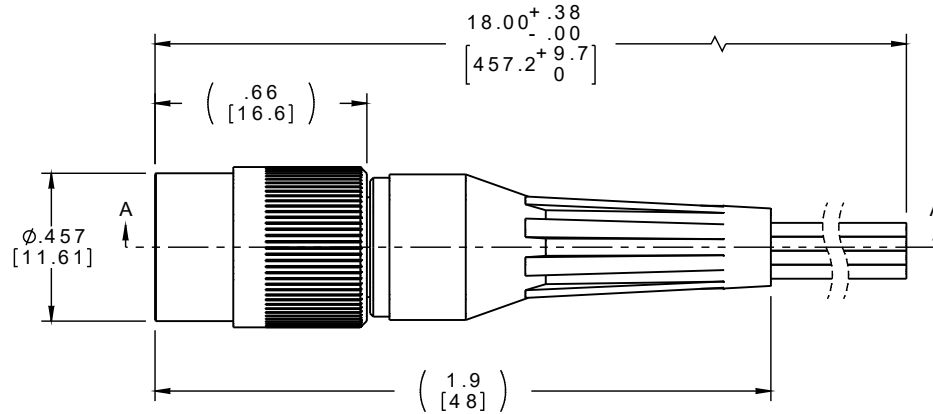
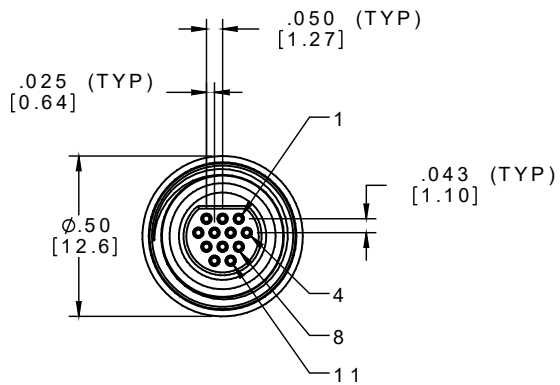
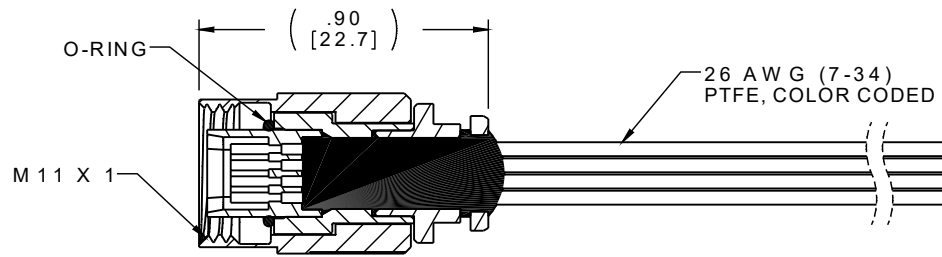


PART NO.	A 22377-001	REV	ECO	DATE	APP
		A	100310	02-25-14	TLM

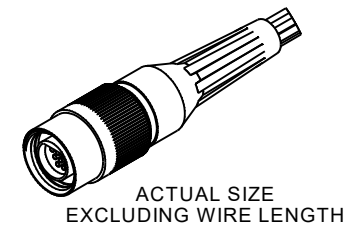


INTERNAL USE ONLY  
USE MFG LOADING  
PROCEDURE MC-12S

P IN #	COLOR
1	BLACK
2	BROWN
3	RED
4	ORANGE
5	YELLOW
6	GREEN
7	BLUE
8	VIOLET
9	GRAY
10	WHITE
11	WHT/BLACK
12	WHT/BROWN



SECTION A-A  
LESS STRAIN RELIEF



NOTE:

DIMENSIONS IN [ ] ARE IN MILLIMETERS UNLESS OTHERWISE NOTED AND ARE FOR REFERENCE ONLY

MOMCS SLD/W	THIRD ANGLE	THIS DRAWING CONTAINS CONFIDENTIAL AND PROPRIETARY INFORMATION WHICH IS THE PROPERTY OF OMNETICS CONNECTOR CORP. THIS DOCUMENT MAY NOT, IN WHOLE OR IN PART, BE DUPLICATED, OR DISCLOSED FOR ANY PURPOSE, WITHOUT WRITTEN PERMISSION FROM OMNETICS CONNECTOR CORP.		
	-TOLERANCES-			
	UNLESS OTHERWISE NOTED			
	DIMENSIONS IN INCHES	DFTM. TLM	DATE	TITLE:
2 PL DEC ± .01		02-18-14	(12) SOCKET FEMALE	
3 PL DEC ± .005	CHK'D.		CIRCULAR CONNECTOR	
4 PL DEC ± .0005	APP'D.		W/METAL SHELL	
ANGLES ± 1°				

**OMNETICS**  
CONNECTOR CORPORATION  
7260 COMMERCE CIRCLE EAST  
MINNEAPOLIS, MN 55432  
WWW.OMNETICS.COM

CAGE CODE 61873	
DWG NO. A 22377-001	
SHEET 1 OF 2	REV A
SCALE: 2:1	