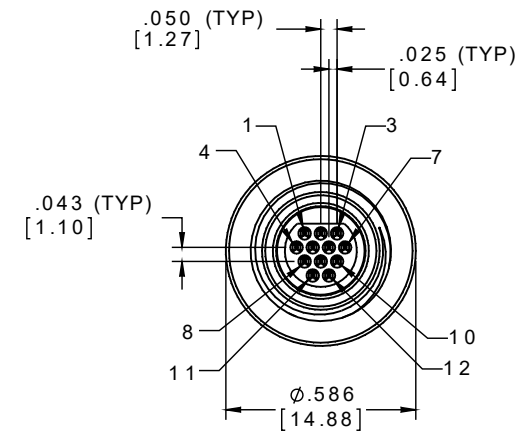
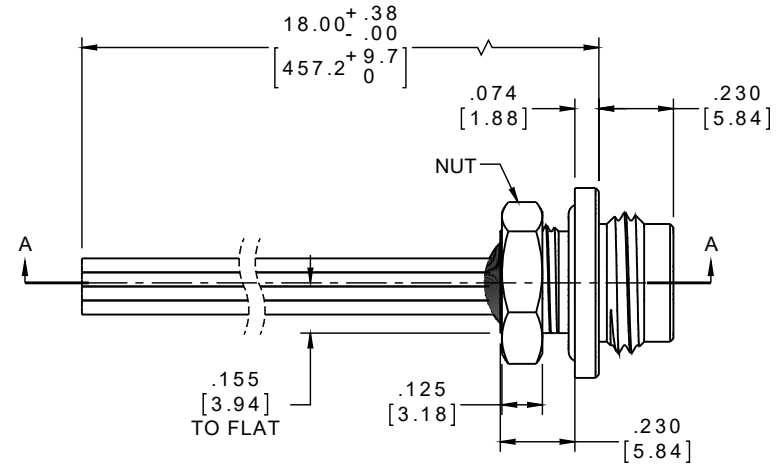
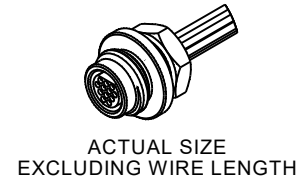
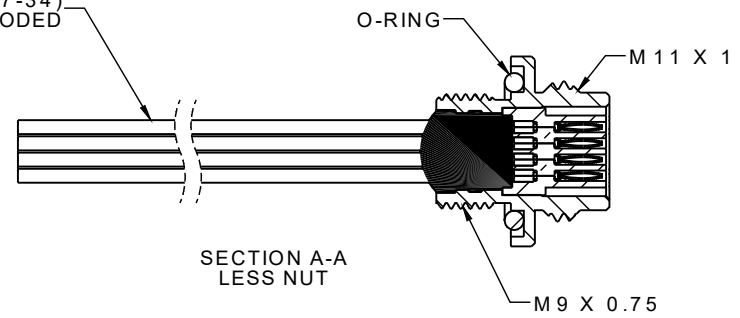


PART NO.	A22376-001	REV	ECO	DATE	APP
		A	101302	02-17-15	TLM



26 AWG (7-34)
PTFE, COLOR CODED

PIN #	COLOR
1	BLACK
2	BROWN
3	RED
4	ORANGE
5	YELLOW
6	GREEN
7	BLUE
8	VIOLET
9	GRAY
10	WHITE
11	WHT/BLK
12	WHT/BRN



INTERNAL USE ONLY
USE MFG LOADING
PROCEDURE MC-12P

NOTE:

DIMENSIONS IN [] ARE IN MILLIMETERS UNLESS OTHERWISE NOTED AND ARE FOR REFERENCE ONLY

MMIOP SLD/W	THIRD ANGLE	THIS DRAWING CONTAINS CONFIDENTIAL AND PROPRIETARY INFORMATION WHICH IS THE PROPERTY OF OMNETICS CONNECTOR CORP. THIS DOCUMENT MAY NOT, IN WHOLE OR IN PART, BE DUPLICATED, OR DISCLOSED FOR ANY PURPOSE, WITHOUT WRITTEN PERMISSION FROM OMNETICS CONNECTOR CORP.		
	-TOLERANCES-	DFTM. TLM	DATE	TITLE:
	UNLESS OTHERWISE NOTED	CHK'D.	DATE	(12) PIN MALE MICRO
	DIMENSIONS IN INCHES	APP'D.	DATE	PROTRUDING PANEL MOUNT CIRCULAR CONNECTOR

OMNETICS
CONNECTOR CORPORATION
7260 COMMERCE CIRCLE EAST
MINNEAPOLIS, MN 55432
WWW.OMNETICS.COM

CAGE CODE	61873
DWG NO.	A22376-001
SHEET 1 OF 2	REV A
SCALE: 2:1	