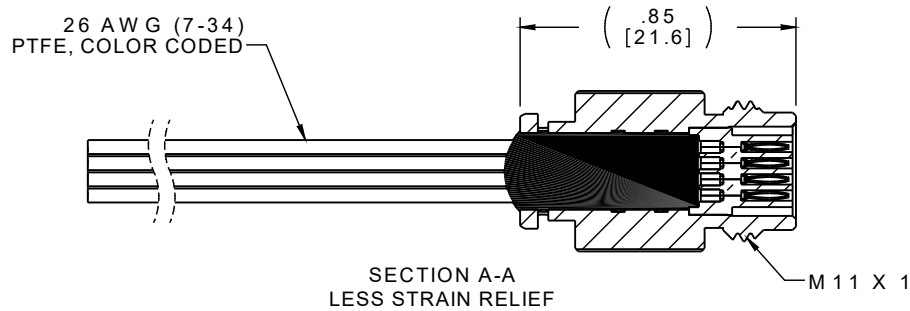
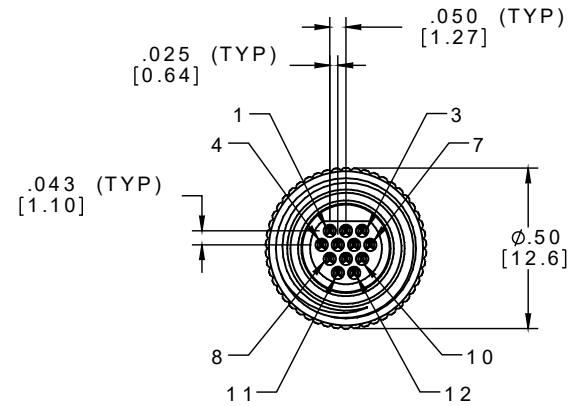
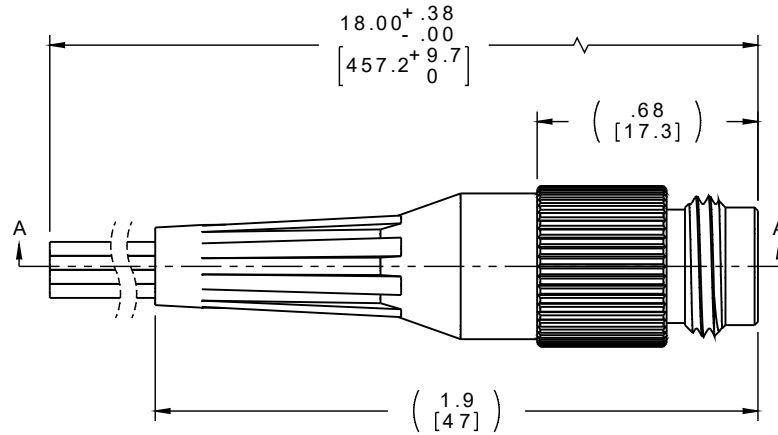
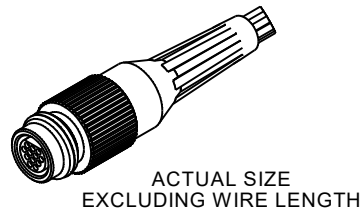


PART NO.	A22373-001	REV	ECO	DATE	APP
		A	100514	05-03-14	TLM



PIN #	COLOR
1	BLACK
2	BROWN
3	RED
4	ORANGE
5	YELLOW
6	GREEN
7	BLUE
8	VIOLET
9	GRAY
10	WHITE
11	WHT/BLACK
12	WHT/BROWN



INTERNAL USE ONLY
USE MFG LOADING
PROCEDURE MC-12P

NOTE:

DIMENSIONS IN [] ARE IN MILLIMETERS UNLESS OTHERWISE NOTED AND ARE FOR REFERENCE ONLY

MMIOP SLIDW	THIRD ANGLE	THIS DRAWING CONTAINS CONFIDENTIAL AND PROPRIETARY INFORMATION WHICH IS THE PROPERTY OF OMNETICS CONNECTOR CORP. THIS DOCUMENT MAY NOT, IN WHOLE OR IN PART, BE DUPLICATED, OR DISCLOSED FOR ANY PURPOSE, WITHOUT WRITTEN PERMISSION FROM OMNETICS CONNECTOR CORP.		
	-TOLERANCES-	DFTM. TLM	DATE	TITLE:
	UNLESS OTHERWISE NOTED		04-25-14	(12) PIN MALE
	DIMENSIONS IN INCHES	CHK'D.		CIRCULAR CONNECTOR
2 PL DEC ± .01	APP'D.		W/METAL SHELL	
3 PL DEC ± .005				
4 PL DEC ± .0005				
ANGLES ± 1°				

OMNETICS
CONNECTOR CORPORATION
7260 COMMERCE CIRCLE EAST
MINNEAPOLIS, MN 55432
WWW.OMNETICS.COM

CAGE CODE 61873	
DWG NO. A22373-001	
SHEET 1 OF 2	REV A
SCALE: 2:1	