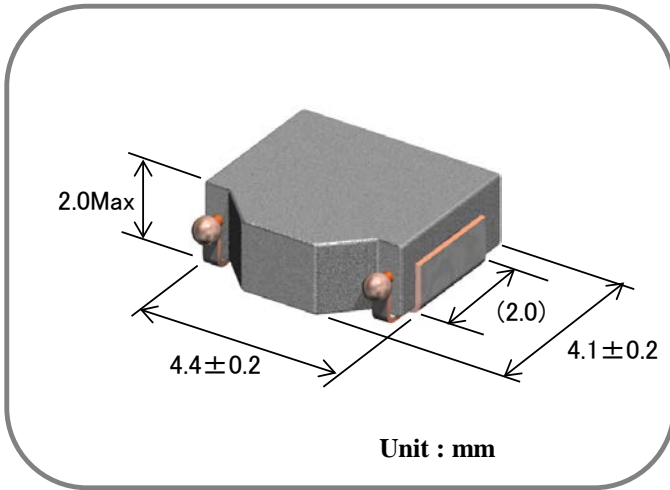


**Component Image & Dimension**



**Features**

- a) Small Footprint and Low Profile Design :  
Footprint : 4.4 x 4.1 mm Typ.  
Height : 2.0mm Max.
- b) High Power Handling Capability :  
Small Copper Loss  
Using Large Saturation Induction of Fe- based metals
- c) Flat inductance performance over temperature based on the high curie temperature of the iron powder core material.
- d) Automatic Mounting in Tape&Reel Package.

**Applications**

In-vehicle infotainment only

**Electrical Specification ( Provisional value )**

TDK Identification	Lo / Inductance		Test Freq. (kHz)	DC Resistance		Rated DC Current	
	at 0A (uH)	Tol. (%)		Max. (mΩ)	Typ. (mΩ)	Isat (A) Typ.	Itemp (A) Typ.
SPM4020T- R47M-CA02	0.47	+/-20%	100	11.8max	10.7	14.1	8.7
SPM4020T- 1R0M-CA02	1.00	+/-20%	100	28.1max	25.5	9.0	5.6
SPM4020T- 1R5M-CA02	1.50	+/-20%	100	40.0max	36.3	6.3	4.7
SPM4020T- 2R2M-CA02	2.20	+/-20%	100	61.6max	56.0	5.3	4.4
SPM4020T- 3R3M-CA02	3.30	+/-20%	100	74.3max	67.5	5.0	3.5
SPM4020T- 4R7M-CA02	4.70	+/-20%	100	147.2max	128.0	3.5	2.5
SPM4020T- 6R8M-CA02	6.80	+/-20%	100	193.2max	168.0	2.7	2.2
SPM4020T- 100M-CA02	10.00	+/-20%	100	284.1max	247.0	2.3	1.8

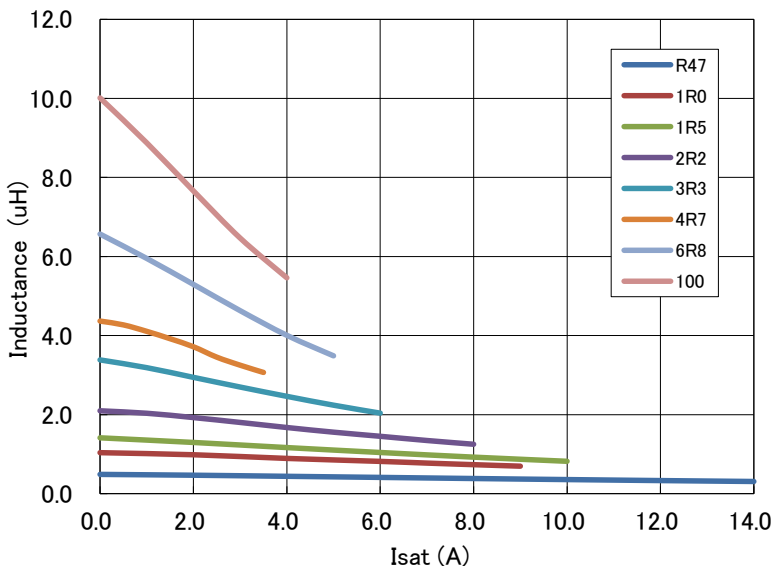
Note. Isat : Based on the inductance change.( drop -30% Typ. from Lo )

Itemp : Based on the self temperature rise. (+40 °C Typ.)

Operating Temperature Range: -40 °C ~ +105 °C (including self temperature rise)

Caution: Please contact our sales person when you consider organic solvent or aqueous cleaning.

**Inductance vs. DC Superposition**



**Recommended pad layout**

