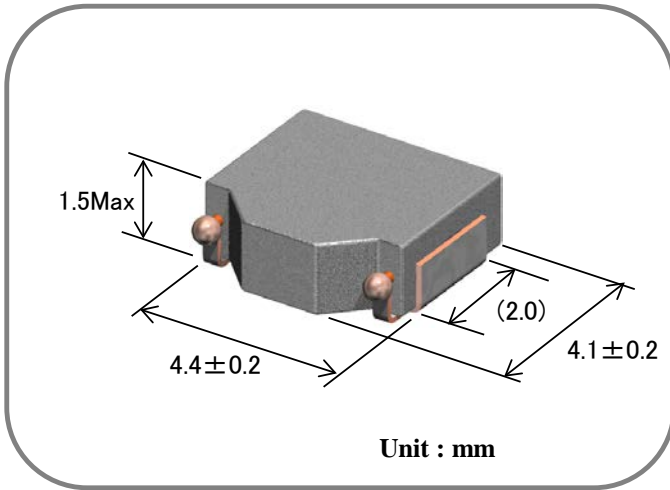


Component Image & Dimension



Features

- a) Small Footprint and Low Profile Design :
Footprint : 4.4 x 4.1 mm Typ.
Height : 1.5mm Max.
- b) High Power Handling Capability :
Small Copper Loss
Using Large Saturation Induction of Fe- based metals
- c) Flat inductance performance over temperature based on the high curie temperature of the iron powder core material.
- d) Automatic Mounting in Tape&Reel Package.

Applications

In-vehicle infotainment only

Electrical Specification (Provisional value)

TDK Identification	Lo / Inductance		Test Freq. (kHz)	DC Resistance		Rated DC Current	
	at 0A (uH)	Tol. (%)		Max. (mΩ)	Typ. (mΩ)	Isat (A) Typ.	Itemp (A) Typ.
SPM4015T- R47M-CA02	0.47	+/-20%	100	16.0max	14.5	13.3	6.8
SPM4015T- 1R0M-CA02	1.00	+/-20%	100	33.6max	30.5	8.9	4.7
SPM4015T- 1R5M-CA02	1.50	+/-20%	100	49.0max	44.5	5.9	3.9
SPM4015T- 2R2M-CA02	2.20	+/-20%	100	62.7max	57.0	5.7	3.5
SPM4015T- 3R3M-CA02	3.30	+/-20%	100	116.6max	106.0	3.9	2.5
SPM4015T- 4R7M-CA02	4.70	+/-20%	100	203.6max	177.0	3.6	2.0
SPM4015T- 6R8M-CA02	6.80	+/-20%	100	234.6max	204.0	2.5	1.8
SPM4015T- 100M-CA02	10.00	+/-20%	100	345.0max	300.0	1.9	1.5

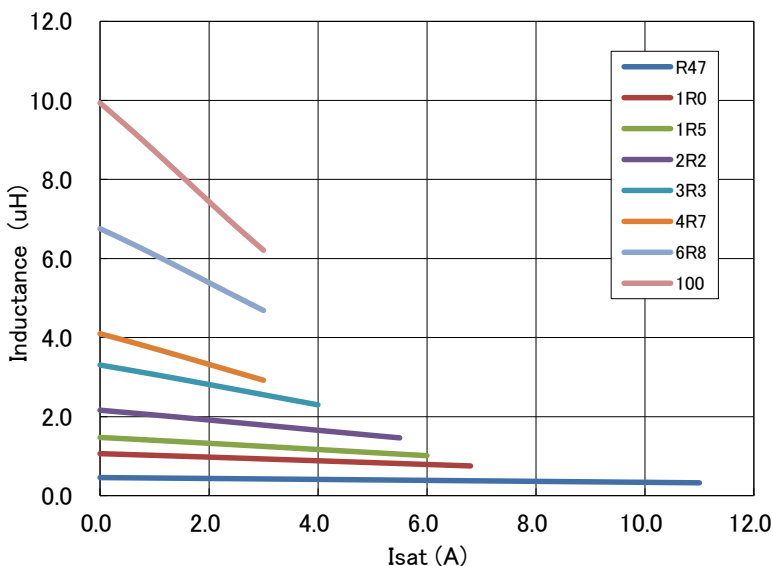
Note. Isat : Based on the inductance change.(drop -30% Typ. from Lo)

Itemp : Based on the self temperature rise. (+40 °C Typ.)

Operating Temperature Range: -40 °C ~+105 °C (including self temperature rise)

Caution: Please contact our sales person when you consider organic solvent or aqueous cleaning.

Inductance vs. DC Superposition



Recommended pad layout

