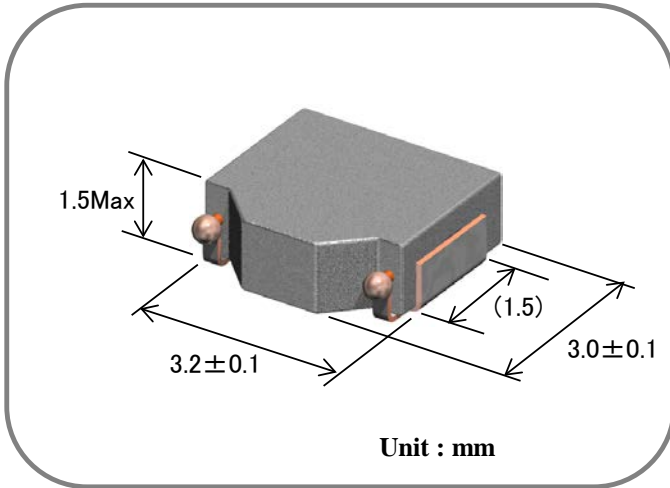


## Component Image & Dimension



## Features

- a) Small Footprint and Low Profile Design :  
Footprint : 3.2 x 3.0 mm Typ.  
Height : 1.5mm Max.
- b) High Power Handling Capability :  
Small Copper Loss  
Using Large Saturation Induction of Fe- based metals
- c) Flat inductance performance over temperature based on the high curie temperature of the iron powder core material.
- d) Automatic Mounting in Tape&Reel Package.

## Applications

In-vehicle infotainment only

## Electrical Specification ( Provisional value )

TDK Identification	Lo / Inductance		Test Freq. (kHz)	DC Resistance		Rated DC Current	
	at 0A (uH)	Tol. (%)		Max. (mΩ)	Typ. (mΩ)	Isat (A) Typ.	Itemp (A) Typ.
SPM3015T- R47M-CA02	0.47	+/-20%	100	28.2max	25.6	7.0	4.8
SPM3015T- 1R0M-CA02	1.00	+/-20%	100	45.1max	41.0	5.0	3.8
SPM3015T- 1R5M-CA02	1.50	+/-20%	100	62.4max	56.7	4.5	3.3
SPM3015T- 2R2M-CA02	2.20	+/-20%	100	86.6max	78.7	4.0	2.8
SPM3015T- 3R3M-CA02	3.30	+/-20%	100	141.7max	128.8	2.7	2.3
SPM3015T- 4R7M-CA02	4.70	+/-20%	100	209.3max	182.0	2.4	1.9

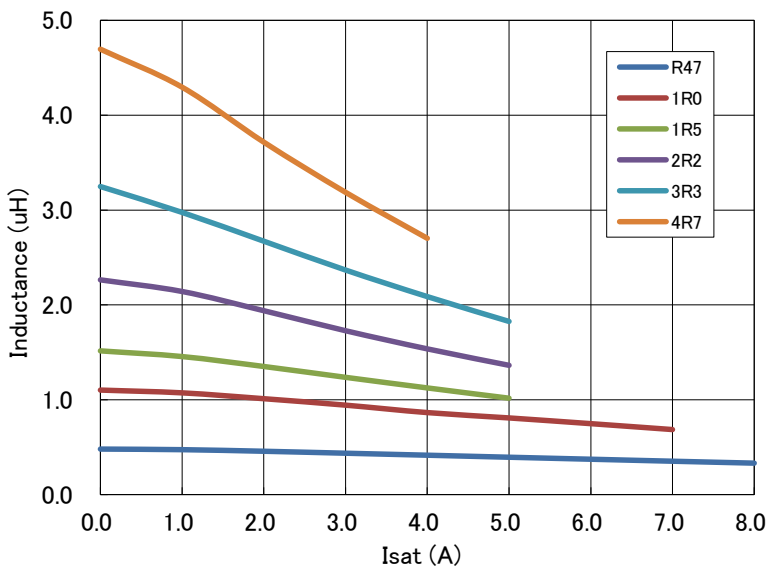
Note. Isat : Based on the inductance change.( drop -30% Typ. from Lo )

Itemp : Based on the self temperature rise. (+40 °C Typ.)

Operating Temperature Range: -40 °C ~+105 °C (including self temperature rise)

Caution: Please contact our sales person when you consider organic solvent or aqueous cleaning.

## Inductance vs. DC Superposition



## Recommended pad layout

