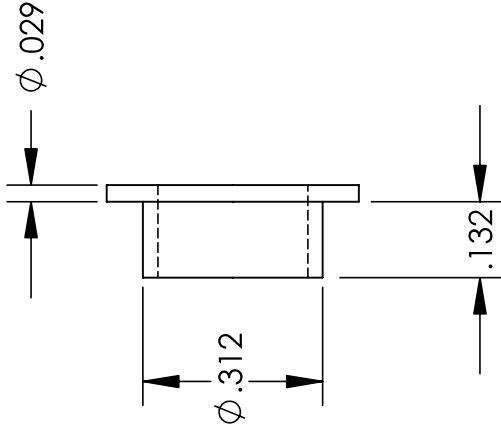
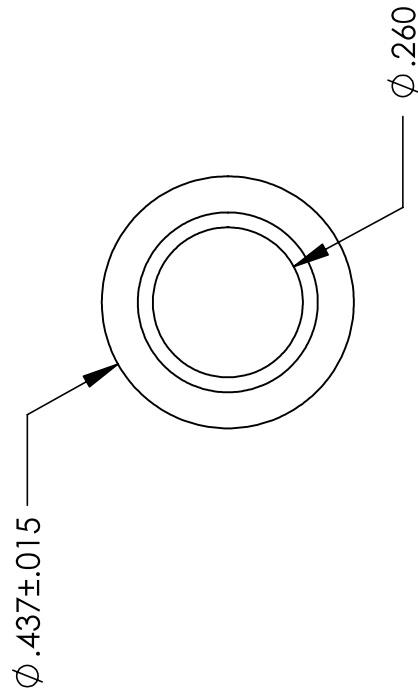


**UNCONTROLLED DOCUMENT**



WE RESERVE THE RIGHT  
TO DISCONTINUE ITEMS,  
CHANGE SPECIFICATIONS  
OR DESIGN AT ANY TIME  
WITHOUT NOTICE AND  
WITHOUT INCURRING  
ANY OBLIGATIONS

TOLERANCES UNLESS NOTED  
+.005 ON DIMENSIONS THRU .625  
+.008 ON DIMENSIONS .626 THRU 1.000  
+.010 ON DIMENSIONS 1.001 THRU 1.500  
+.015 ON DIMENSIONS LARGER THAN 1.500  
+.015 ON FRACTIONAL DIMENSIONS

PROPERTY OF

**MICRO PLASTICS INC.**

CATALOG DRAWING  
SHOULDER WASHER  
MICRO P/N 12SWS0932  
DWG. # 12SWS0932  
FILE SERVER\ENG\WEB

MATERIAL: 6/6 NYLON

DATE

SCALE

3:1

TA