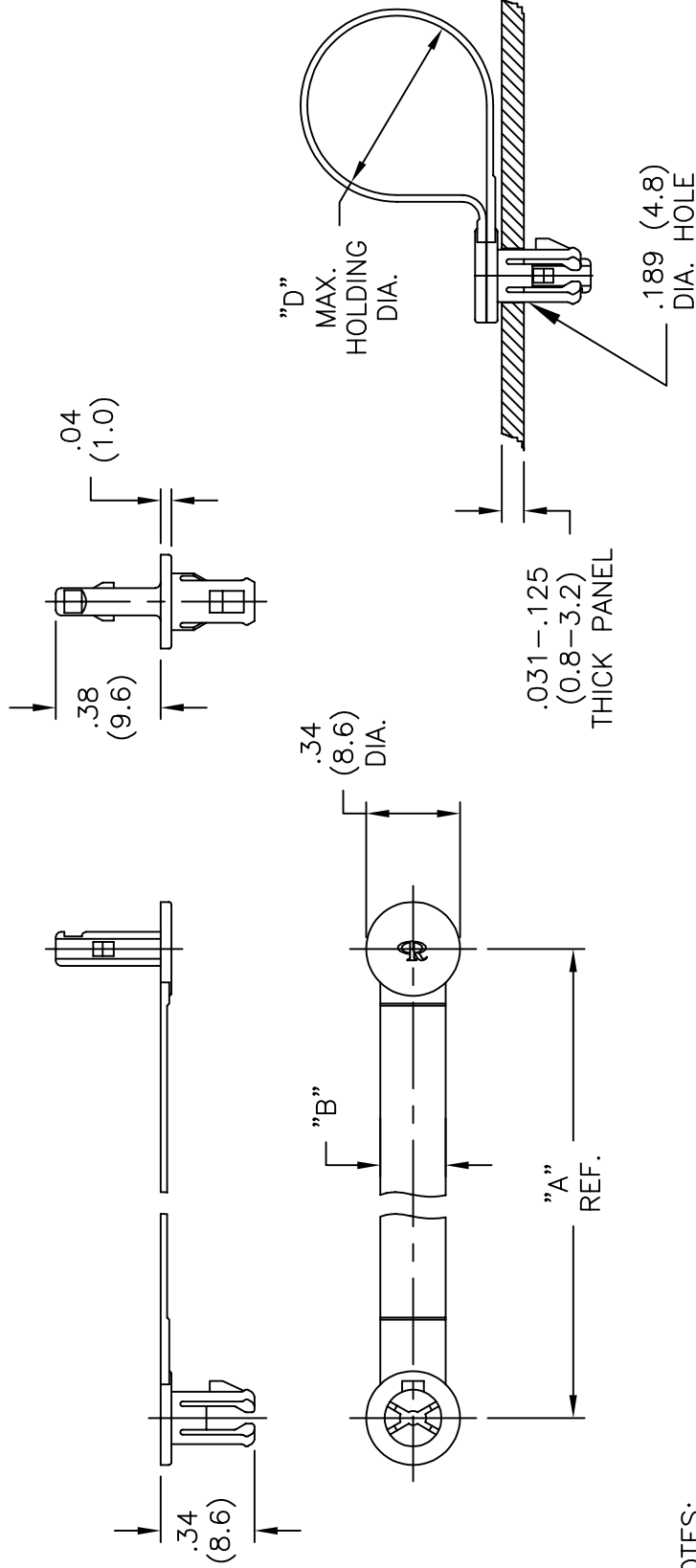


PART NO.	DIM "A" REF.	DIM "B"	"D" MAX. HOLDING DIA.
RSC-3-01	1.10 (28.0)	.16 (4.0)	7/32 (5.6)
RSC-4-01	1.30 (33.0)	.24 (6.0)	1/4 (6.4)
RSC-6-01	1.69 (43.0)	.24 (6.0)	3/8 (9.5)
RSC-9-01	2.48 (63.0)	.24 (6.0)	5/8 (15.9)



- NOTES:  
 1. MAT'L: NYLON 6/6 (RMS-01).  
 2. COLOR: BLACK.

REV	DESCRIPTION	CHANGED FILE NO.	SM	ENGR	DATE
A			10.17.02		

TOLERANCES UNLESS NOTED .XX=±.010 .XXX=±.005 FRAC=±1/64 ANG=±1°		FILE # RSC	DWN: J.B.	DT: 07-30-96	DWG IN IN (MM)	FINAL
MAT'L: SEE NOTES		RE: RICHCO, INC.	CHKD:	ENGR:	PART #	SEE TABLE
RE: RICHCO, INC.		PO BOX 804238, CHICAGO, 60680	(773) 539-4060		PRINT TYPE CA	

TITLE: RICHCO SPEED CLAMPS

