

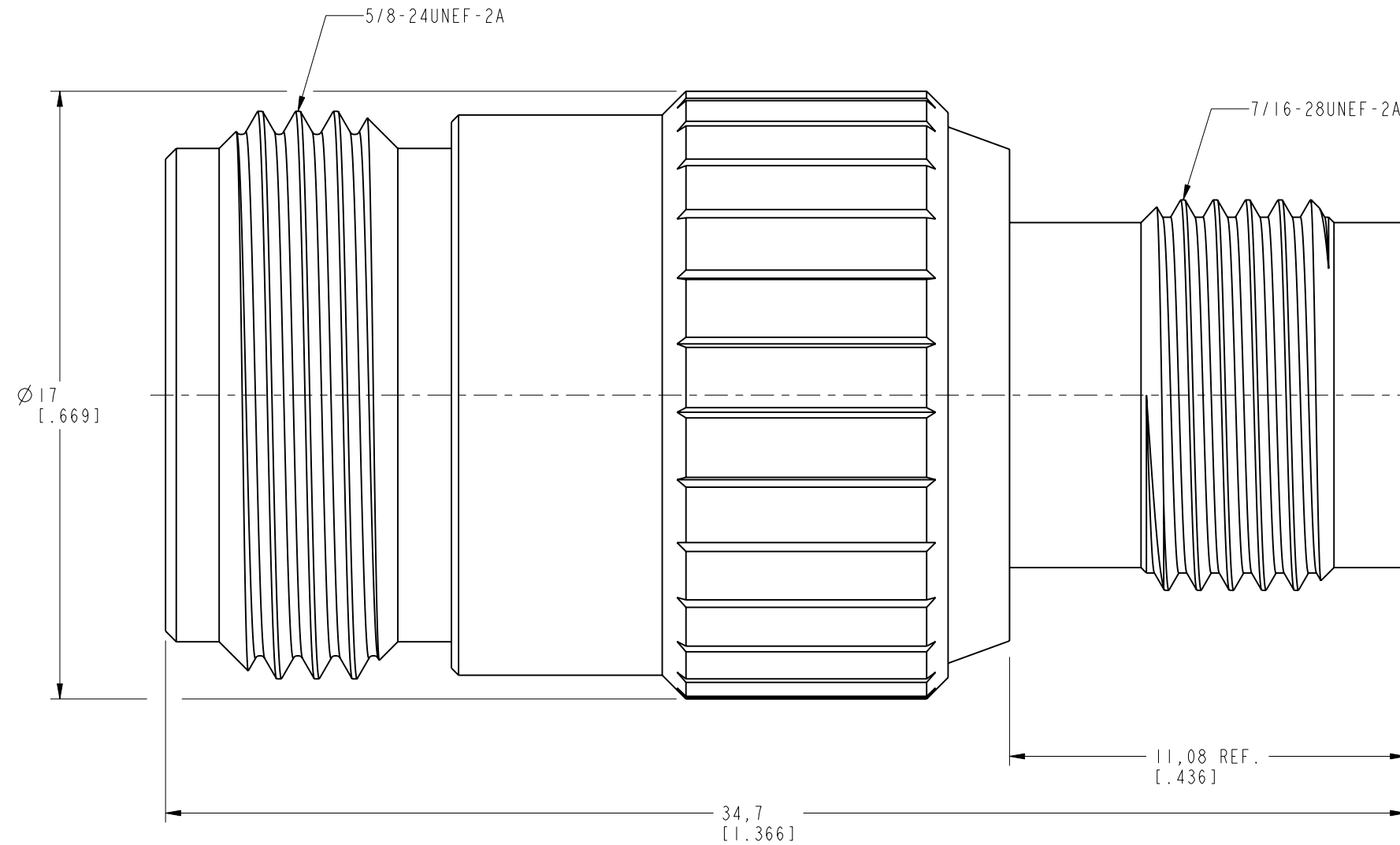
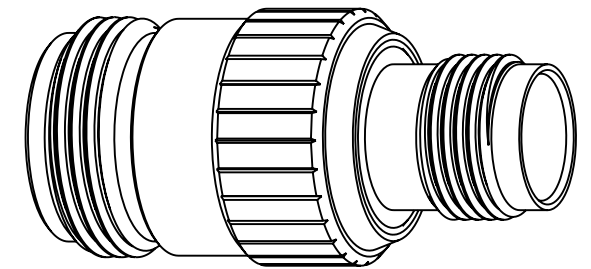
NOTES:

1. MATERIALS AND FINISHES:  
 BODY - BRASS, NICKEL PLATING  
 CONTACT -PHOSPHOR BRONZE, GOLD PLATING  
 INSULATOR - PTFE, NATURAL
2. ELECTRICAL:  
 A. IMPEDANCE: 50 OHM  
 B. FREQUENCY RANGE: DC-11 GHz  
 C. VSWR: 1.3 MAX.  
 D. DIELECTRIC WITHSTANDING VOLTAGE: 1500 VRMS, MIN.
3. MECHANICAL:  
 A. DURABILITY: 500 CYCLES MIN.  
 B. TEMPERATURE RANGE: -65° C TO +165° C

THIRD ANGLE PROJ.

REVISIONS

REV	DESCRIPTION	DATE	ECN	APPR
A	UPDATE DRAWING FORMAT	27-Mar-05	-----	GRS
B	REVISE PART DESCRIPTION	25-Feb-08	-----	GRS
C	SYNCH DRAWING, ADD COD	27-May-13	49567	SH
D	REMOVED THE DANBURY PN OF APH-NJ-TNCJ; SYNC	18-Oct-19	13042	SH



**CUSTOMER OUTLINE DRAWING**  
 ALL OTHER SHEETS ARE FOR INTERNAL USE ONLY

UNLESS OTHERWISE SPECIFIED, DIMENSIONS ARE IN METRIC AND TOLERANCES ARE: <0.5mm ±0.05mm    0.5 - 6mm ±0.1mm    6 - 30mm ±0.2mm    30 - 120mm ±0.3mm    ANGLES ±1°	MATERIAL	DRAWN	DATE	TITLE N JACK TO TNC JACK ADAPTOR		Amphenol RF www.amphenolrf.com		
	-	M. ZHANG	17-Oct-19					
NOTICE - These drawings, specifications, or other data (1) are, and remain the property of Amphenol corp. (2) must be returned upon request; and (3) are confidential and not to be disclosed to any person other than those to whom they are given by Amphenol Corp. the furnishing of these drawings, specifications, or other data by Amphenol Corp., or to any other person to anyone for any purpose is not to be regarded by implication or otherwise in any manner licensing, granting rights to permitting such holder or any other person to manufacture, use or sell any product, process or design, patented or otherwise, that may in any way be related to or disclosed by said drawings, specifications, or other data.	REFERENCE	ENGINEER	DATE	SCALE: 6.0:1.0    SHEET 2 OF 2		DRAWING NO. NF-TF-NT3G-50		
	EAR#	TONY	07-May-03					
	REF:	APPROVED	S. HSIEH	DATE	DWG SIZE    REV B                    D		ITEM NO.    03F-02F1-NA-5-F	
	CONFIGURATION LEVEL: In Work	CAD FILE		17-Oct-19				
FINISH								