

	Date	04-Jun-2021	SPECIFICATION	OLE WOLFF
	Page	1 / 3		www.owolff.com
	CN	P/N: OWPB-1513-48-T		Revision: 04

SPECIFICATION FOR APPROVAL

Piezo Element

Part Number	OWPB-1513-48-T
Note	This item was compliance with the following requirements: 1. RoHS directive 2. REACH
Customer P/N	

Ole Wolff	Signature / Date	Prepared	Checked	Approved
		Baoxin Yao 20210604		

Customer	Signature / Date	Confirmation		

REVISION NOTES:

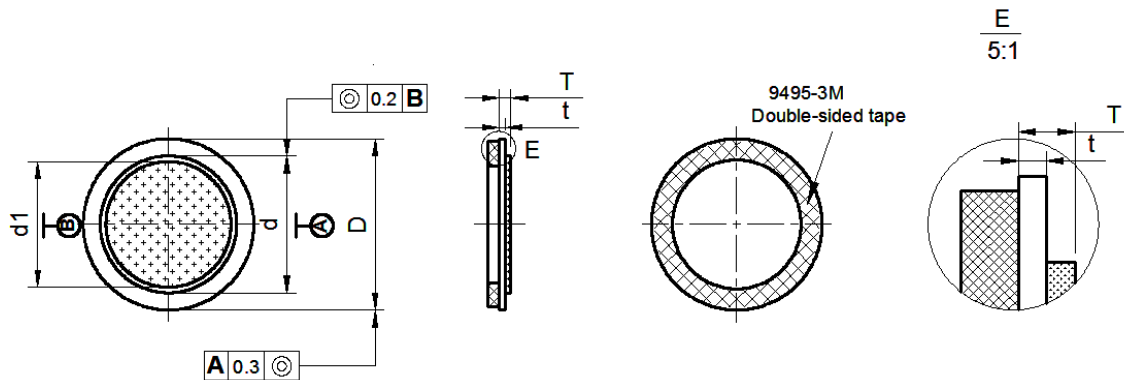
Date	Rev.	Description of Revision
20180607	00	Initial Release
20180420	01	Cool gray 2c printing diameter dimension changed
20180913	02	Remove the solder resist.
20181011	03	Φ15±0.2 改为 Φ15+0/-0.2
20210604	04	1.去除 5a。2.包装增加警示要求“CAUTION Please use it within 24hrs after open the package. If not, please keep in the vacuum package”。详见 Packing。

OLE WOLFF ELEKTRONIK A/S Roedengvej 25 4180 Soroe Denmark TEL: +45 57833830 FAX: +45 57820019	OLE WOLFF ELECTRONICS INC. 1525 McCarthy Blvd, Suite 1093 Milpitas, Ca 95035 USA TEL: +1 408 888 8413	OLEWOLFF ELEKTRONIK GmbH Schulstrasse 15A. DE-25451 Quickborn, Germany TEL: +49 (0) 4106 765900 FAX: +49 (0) 4106 627297	OLEWOLFF ELECTRONICS 3 Bedford Street, Woburn, Bedfordshire MK17 9QB, ENGLAND TEL: +44 (0) 1525 290755 FAX: +44 (0) 1525 290855	OLE WOLFF ELEKTRONIK Yliopistonkatu 26 (P.O.BOX 257) FI-40101 Jyväskylä Finland TEL: +358 14 338 3050 FAX: +358 14 338 3059	OLE WOLFF (ASIA) LTD. Unit B, 19/F., Bold Win Ind. Bldg., No. 16-18 Wah Sing St., Kwai Chung, N.T., H.K. TEL: +852 2424 3274 FAX: +852 2424 2219	OLE WOLFF LTD. Unit 7A08, Block 2, Elite Building, Nanshan Avenue, Nanshan District, Shenzhen, PRC. TEL: +86 755 82612542 TEL: +86 755 26406156
---	---	--	--	--	--	---

	Date	04-Jun-2021	SPECIFICATION	OLE WOLFF
	Page	2 / 3		www.owolff.com
	CN	P/N: OWPB-1513-48-T		Revision: 04

1	Input Voltage (Vp-p)	30 max
2	Resonant Frequency (KHz)	4.8±0.5
3	Resonant Impedance (Ω)	300 max
4	Capacitance 1000Hz (PF)	28000±30%
5	Operating Temperature (°C)	-20~+60
6	Storage Temperature (°C)	-20~+70
7	Ceramic plate diameter(d) (mm)	Φ12±0.3
8	Silver plate diameter(d1) (mm)	Φ11±0.3
9	Metal plate diameter(D) (mm)	Φ15+0/-0.2
10	Double-sided tape outside diameter (mm)	Φ14.5±0.2
11	Double-sided tape inside diameter (mm)	Φ11.3±0.2
12	Double-sided tape Thickness (mm)	0.17±0.1
13	Metal plate Thickness(t) (mm)	0.08±0.01
14	Piezo Element Thickness(T) (mm)	0.15±0.02
15	Metal Material	Brass (H65)

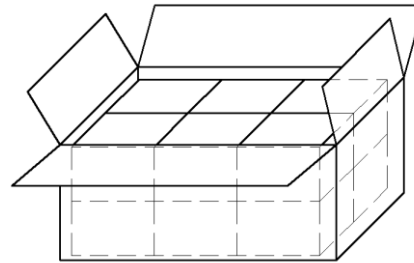
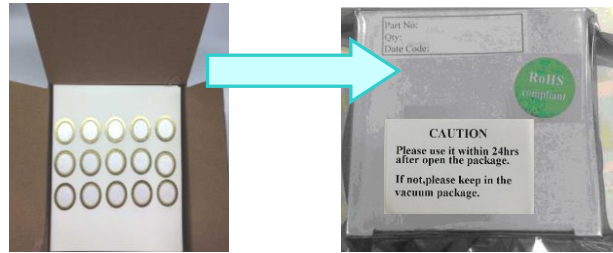
Dimensions Unit:mm Tolerance: ±0.5mm Except Specified



OLE WOLFF ELEKTRONIK A/S Roedengvej 25 4180 Soroe Denmark TEL: +45 57833830 FAX: +45 57820019	OLE WOLFF ELECTRONICS INC. 1525 McCarthy Blvd, Suite 1093 Milpitas, Ca 95035 USA TEL: +1 408 888 8413	OLEWOLFF ELEKTRONIK GmbH Schulstrasse 15A. DE-25451 Quickborn, Germany TEL: +49 (0) 4106 765900 FAX: +49 (0) 4106 627297	OLEWOLFF ELECTRONICS 3 Bedford Street, Woburn, Bedfordshire MK17 9QB, ENGLAND TEL: +44 (0) 1525 290755 FAX: +44 (0) 1525 290855	OLE WOLFF ELEKTRONIK Yliopistonkatu 26 (P.O.BOX 257) FI-40101 Jyväskylä Finland TEL: +358 14 338 3050 FAX: +358 14 338 3059	OLE WOLFF (ASIA) LTD. Unit B, 19/F., Bold Win Ind. Bldg., No. 16-18 Wah Sing St., Kwai Chung, N.T., H.K. TEL: +852 2424 3274 FAX: +852 2424 2219	OLE WOLFF LTD. Unit 7A08, Block 2, Elite Building, Nanshan Avenue, Nanshan District, Shenzhen, PRC. TEL: +86 755 82612542 TEL: +86 755 26406156
---	---	--	--	--	--	---

	Date	04-Jun-2021	SPECIFICATION	OLE WOLFF
	Page	3 / 3		www.owolff.com
	CN	P/N: OWPB-1513-48-T		Revision: 04

Packing



1. 1500PCS per box
2. Total 12 boxes per carton
3. Total 18000 PCS carton
4. Volume: 33*21.5*13.5cm

OLE WOLFF ELEKTRONIK A/S Roedengvej 25 4180 Soroe Denmark TEL: +45 57833830 FAX: +45 57820019	OLE WOLFF ELECTRONICS INC. 1525 McCarthy Blvd, Suite 1093 Milpitas, Ca 95035 USA TEL : +1 408 888 8413	OLEWOLFF ELEKTRONIK GmbH Schulstrasse 15A. DE-25451 Quickborn, Germany TEL: +49 (0) 4106 765900 FAX: +49 (0) 4106 627297	OLEWOLFF ELECTRONICS 3 Bedford Street, Woburn, Bedfordshire MK17 9QB, ENGLAND TEL: +44 (0) 1525 290755 FAX: +44 (0) 1525 290855	OLE WOLFF ELEKTRONIK Yliopistonkatu 26 (P.O.BOX 257) FI-40101 Jyväskylä Finland TEL: +358 14 338 3050 FAX: +358 14 338 3059	OLE WOLFF (ASIA) LTD. Unit B, 19/F., Bold Win Ind. Bldg., No. 16-18 Wah Sing St., Kwai Chung, N.T., H.K. TEL: +852 2424 3274 FAX: +852 2424 2219	OLE WOLFF LTD. Unit 7A08, Block 2, Elite Building, Nanshan Avenue, Nanshan District, Shenzhen, PRC. TEL: +86 755 82612542 TEL: +86 755 26406156
---	--	--	--	--	--	---