

	Date	23-Apr-2023	SPECIFICATION	OLE WOLFF
	Page	1 / 2		www.owolff.com
	CN	P/N: OWPB-1115-70-B		Revision: 01



SPECIFICATION FOR APPROVAL

Piezo Element

Part Number	OWPB-1115-70-B
Note	This item was compliance with the following requirements: 1. RoHS directive 2. REACH
Customer P/N	


Ole Wolff	Signature / Date	Prepared	Checked	Approved
		YitaoWu 2023.04.23		

Customer	Signature / Date	Confirmation		

REVISION NOTES:

Date	Rev.	Description of Revision
20230423	00	Initial Release

OLE WOLFF ELEKTRONIK A/S Roedengvej 25 4180 Soroe Denmark TEL: +45 57833830 FAX: +45 57820019	OLE WOLFF ELECTRONICS INC. 1525 McCarthy Blvd, Suite 1093 Milpitas, Ca 95035 USA TEL : +1 408 888 8413	OLEWOLFF ELEKTRONIK GmbH Schulstrasse 15A. DE-25451 Quickborn, Germany TEL: +49 (0) 4106 765900 FAX: +49 (0) 4106 627297	OLEWOLFF ELECTRONICS 3 Bedford Street, Woburn, Bedfordshire MK17 9QB, ENGLAND TEL: +44 (0) 1525 290755 FAX: +44 (0) 1525 290855	OLE WOLFF ELEKTRONIK Yliopistonkatu 26 (P.O.BOX 257) FI-40101 Jyväskylä Finland TEL: +358 14 338 3050 FAX: +358 14 338 3059	OLE WOLFF (ASIA) LTD. Unit B, 19/F., Bold Win Ind. Bldg., No. 16-18 Wah Sing St., Kwai Chung, N.T., H.K. TEL: +852 2424 3274 FAX: +852 2424 2219	OLE WOLFF LTD. Unit 7A08, Block 2, Elite Building, Nanshan Avenue, Nanshan District, Shenzhen, PRC. TEL: +86 755 82612542 TEL: +86 755 26406156
---	--	--	--	--	--	---

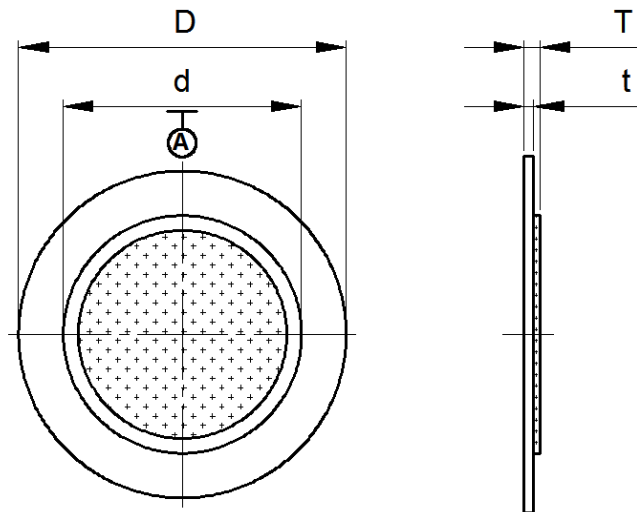
	Date	23-Apr-2023	SPECIFICATION	OLE WOLFF
	Page	2 / 2		www.owolff.com
	CN	P/N: OWPB-1115-70-B		Revision: 01

1	Input Voltage (Vp-p)	30 max
2	Resonant Frequency (KHz)	7.0±0.7
3	Resonant Impedance (Ω)	400 max
4	Capacitance 120Hz (PF)	11000±30%
5	Operating Temperature (°C)	-20 ~ +70
6	Storage Temperature (°C)	-30 ~ +80
7	Ceramic plate diameter(d) (mm)	Φ7.8±0.2
8	Metal plate diameter(D) (mm)	Φ11±0.3
9	Metal plate Thickness(t) (mm)	0.07±0.025
10	Piezo Element Thickness(T) (mm)	0.127±0.05
11	Metal Material	Brass (H65)

Dimensions

Unit:mm

Tolerance: ±0.5mm Except Specified



OLE WOLFF
ELEKTRONIK A/S
Roedengvej 25
4180 Soroe
Denmark

TEL: +45 57833830
FAX: +45 57820019

OLE WOLFF
ELECTRONICS INC.
1525 McCarthy Blvd,
Suite 1093
Milpitas, Ca 95035
USA

TEL: +1 408 888 8413

OLEWOLFF
ELEKTRONIK GmbH
Schulstrasse 15A. DE-25451
Quickborn,
Germany

TEL: +49 (0) 4106 765900
FAX: +49 (0) 4106 627297

OLEWOLFF ELECTRONICS
3 Bedford Street, Woburn,
Bedfordshire MK17 9QB,
ENGLAND

TEL: +44 (0) 1525 290755
FAX: +44 (0) 1525 290855

OLE WOLFF
ELEKTRONIK
Yliopistonkatu 26 (P.O.BOX
257)
FI-40101 Jyväskylä
Finland

TEL: +358 14 338 3050
FAX: +358 14 338 3059

OLE WOLFF (ASIA) LTD.
Unit B, 19/F.,
Bold Win Ind. Bldg.,
No. 16-18 Wah Sing St.,
Kwai Chung, N.T., H.K.

TEL: +852 2424 3274
FAX: +852 2424 2219

OLE WOLFF LTD.
Unit 7A08, Block 2, Elite
Building, Nanshan Avenue,
Nanshan District,
Shenzhen, PRC.

TEL: +86 755 82612542
TEL: +86 755 26406156