	<b>Date</b>	12-Apr-2023	<b>SPECIFICATION</b>	<b>OLE WOLFF</b>
	<b>Page</b>	1 / 8		<b>www.owolff.com</b>
	<b>CN</b>	<b>P/N:</b> OWMB-131310S-20-140		<b>Revision: 00</b>

## SPECIFICATION FOR APPROVAL

### SMD Electro-Magnetic Transducer

<b>Part Number</b>	OWMB-131310S-20-140
<b>Note</b>	This item is in compliance with the following requirements : 1. RoHS directive 2. REACH
<b>Customer P/N</b>	

Ole Wolff	Signature / Date	Prepared	Checked	Approved

Customer	Signature / Date	Confirmation		

**REVISION NOTES:**

Date	Rev.	Description of Revision

OLE WOLFF ELEKTRONIK A/S Roedengvej 25 4180 Soroe Denmark  TEL: +45 57833830 FAX: +45 57820019	OLE WOLFF ELECTRONICS INC. 1525 McCarthy Blvd, Suite 1093 Milpitas, Ca 95035 USA  TEL: +1 408 888 8413	OLEWOLFF ELEKTRONIK GmbH Schulstrasse 15A. DE-25451 Quickborn. Germany  TEL: +49 (0) 4106 765900 FAX: +49 (0) 4106 627297	OLEWOLFF ELECTRONICS 3 Bedford Street, Woburn, Bedfordshire MK17 9QB, ENGLAND  TEL: +44 (0) 1525 290755 FAX: +44 (0) 1525 290855	OLE WOLFF ELEKTRONIK Yliopistonkatu 26 (P.O.BOX 257) FI-40101 Jyväskylä Finland  TEL: +358 14 338 3050 FAX: +358 14 338 3059	OLE WOLFF (ASIA) LTD. Unit B, 19/F., Bold Win Ind. Bldg., No. 16-18 Wah Sing St., Kwai Chung, N.T., H.K.  TEL: +852 2424 3274 FAX: +852 2424 2219	OLE WOLFF LTD. 5 Floor, Block G, WenTao Industrial Park, YingRenShi, Bao'an District, Shenzhen, PRC  TEL: +86 755 82612542 TEL: +86 755 26406156
---	---	--	--	--	--	---

	<b>Date</b>	<b>12-Apr-2023</b>	<b>SPECIFICATION</b>	<b>OLE WOLFF</b>
	<b>Page</b>	<b>2 / 8</b>		<b>www.owolff.com</b>
	<b>CN</b>	<b>P/N: OWMB-131310S-20-140</b>		<b>Revision: 00</b>

## 1. SCOPE

THIS SPECIFICATION IS APPLIED TO OLE WOLFF SMD ELECTRO-MAGNETIC TRANSDUCER UNIT OF MODEL: OWMB-131310S-20-140

## 2. GENERAL REQUIREMENTS

OPERATING TEMPERATURE RANGE: -40°C ~ +105°C

STORAGE TEMPERATURE RANGE: -40°C ~ +120°C

## 3. MECHANICAL LAYOUT & DIMENSIONS

DIMENSIONS: SHOWN IN FIGURE 3.


WEIGHT: 2.2g

## 4. ELECTRICAL CHARACTERISTICS

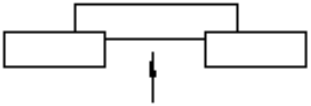
NO.	ITEM	SPECIFICATION
1	RATED VOLTAGE	12V
2	OPERATING VOLTAGE	8~16V
3	RESONANT FREQUENCY	2000Hz
4	COIL RESISTANCE	140±20 Ω
5	*RATED CURRENT	≤40mA
6	* SOUND OUTPUT AT 10cm	≥90dB
7	HOUSING MATERIAL	LCP

\*Applying rated voltage (Resonant frequency, 1/2 duty, Square wave)


OLE WOLFF ELEKTRONIK A/S Roedengvej 25 4180 Soroe Denmark  TEL: +45 57833830 FAX: +45 57820019	OLE WOLFF ELECTRONICS INC. 1525 McCarthy Blvd, Suite 1093 Milpitas, Ca 95035 USA  TEL: +1 408 888 8413	OLEWOLFF ELEKTRONIK GmbH Schulstrasse 15A. DE-25451 Quickborn. Germany  TEL: +49 (0) 4106 765900 FAX: +49 (0) 4106 627297	OLEWOLFF ELECTRONICS 3 Bedford Street, Woburn, Bedfordshire MK17 9QB, ENGLAND  TEL: +44 (0) 1525 290755 FAX: +44 (0) 1525 290855	OLE WOLFF ELEKTRONIK Yliopistonkatu 26 (P.O.BOX 257) FI-40101 Jyväskylä Finland  TEL: +358 14 338 3050 FAX: +358 14 338 3059	OLE WOLFF (ASIA) LTD. Unit B, 19/F, Bold Win Ind. Bldg., No. 16-18 Wah Sing St., Kwai Chung, N.T., H.K.  TEL: +852 2424 3274 FAX: +852 2424 2219	OLE WOLFF LTD. 5 Floor, Block G, WenTao Industrial Park, YingRenShi, Bao'an District, Shenzhen, PRC  TEL: +86 755 82612542 TEL: +86 755 26406156
---	---	--	--	--	---	---

	<b>Date</b>	12-Apr-2023	<b>SPECIFICATION</b>	<b>OLE WOLFF</b>
	<b>Page</b>	3 / 8		<b>www.owolff.com</b>
	<b>CN</b>	<b>P/N: OWMB-131310S-20-140</b>		<b>Revision: 00</b>

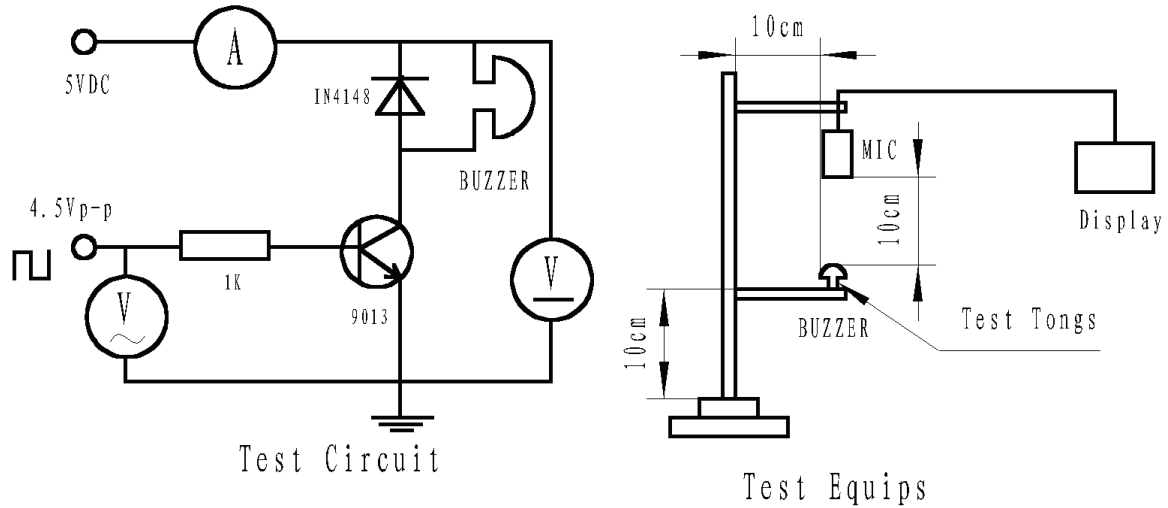
## 5. RELIABILITY TEST

- <b>After Test</b> All specifications must be satisfied after the test.				
<b>5.1 High temperature Test</b> Temperature: +120±2°C Duration: 120HRS				
<b>5.2 Low temperature Test</b> Temperature: -40±2°C Duration: 120HRS				
<b>5.3 Humidity Test</b> Temperature: +40±2°C Humidity: 90~95%RH Duration: 120HRS				
<b>5.4 Temperature cycling Test</b> Temperature: -40±2°C      room temp.      +120±2°C      room temp. Duration: 30min      15min      30min      15min Cycle: 5 cycles				
<b>5.5 Vibration Test</b> Input power: 10Hz(a period is 1 minute) Amplitude: 1.52mm(9.3g) Duration: 2 hours per plane in each three mutually perpendicular planes for a total time of 6 hours.				
<b>5.6 Shock Test</b> Sounder shall be measured after being applied shock (980m/s <sup>2</sup> ) for each three mutually perpendicular directions to each of 3 times by half sine wave.				
<b>5.7 Drop Test</b> Dropped naturally from 700mm height onto the surface of 10mm thick wooden board. 2 directions-upper and side of the part are to be applied.				
<b>5.8 Lead pull</b> The part shall be pulled with a force of 9.8N for 10±1 seconds behind the part.				
				
After the test part shall meet specifications without any degradation in appearance and performance.				
<b>Warranty:</b> For a period of one year from date of manufacture under normal operations.				

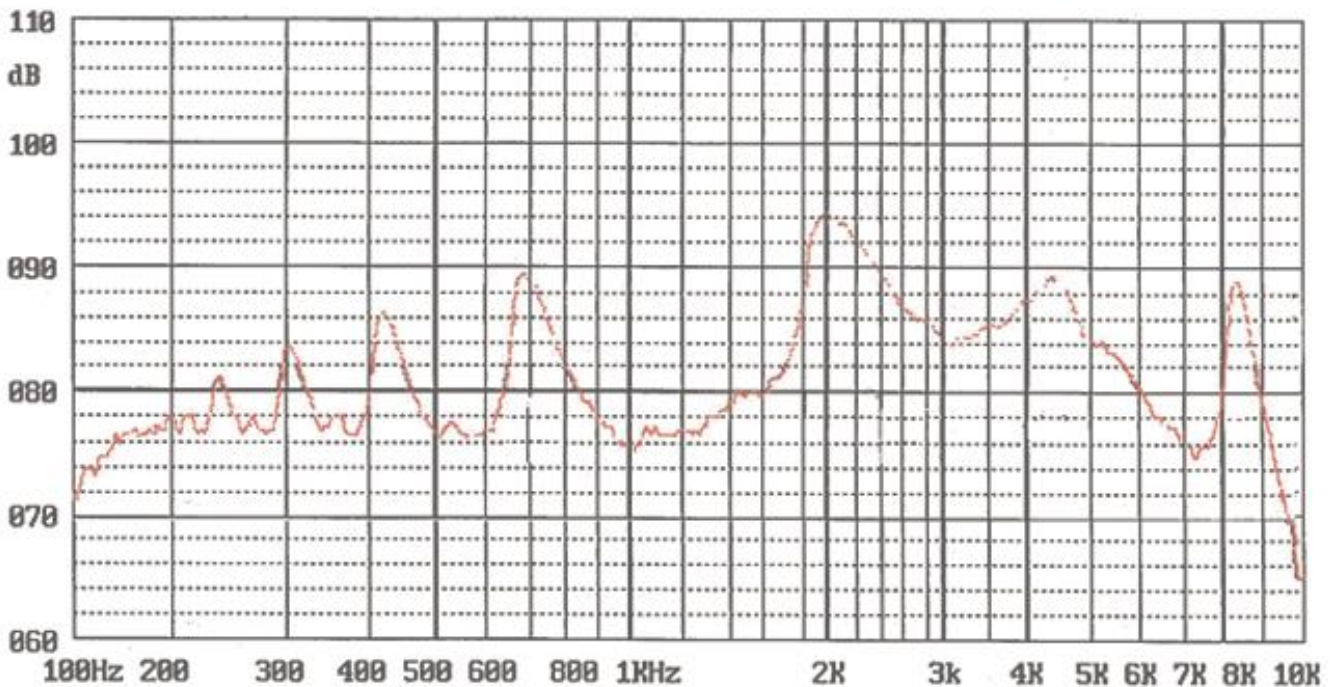
OLE WOLFF ELEKTRONIK A/S Roedengvej 25 4180 Soroe Denmark  TEL: +45 57833830 FAX: +45 57820019	OLE WOLFF ELECTRONICS INC. 1525 McCarthy Blvd, Suite 1093 Milpitas, Ca 95035 USA  TEL: +1 408 888 8413	OLEWOLFF ELEKTRONIK GmbH Schulstrasse 15A. DE-25451 Quickborn. Germany  TEL: +49 (0) 4106 765900 FAX: +49 (0) 4106 627297	OLEWOLFF ELECTRONICS 3 Bedford Street, Woburn, Bedfordshire MK17 9QB, ENGLAND  TEL: +44 (0) 1525 290755 FAX: +44 (0) 1525 290855	OLE WOLFF ELEKTRONIK Yliopistonkatu 26 (P.O.BOX 257) FI-40101 Jyväskylä Finland  TEL: +358 14 338 3050 FAX: +358 14 338 3059	OLE WOLFF (ASIA) LTD. Unit B, 19/F., Bold Win Ind. Bldg., No. 16-18 Wah Sing St., Kwai Chung, N.T., H.K.  TEL: +852 2424 3274 FAX: +852 2424 2219	OLE WOLFF LTD. 5 Floor, Block G, WenTao Industrial Park, YingRenShi, Bao'an District, Shenzhen, PRC  TEL: +86 755 82612542 TEL: +86 755 26406156
---	---	--	--	--	--	---

	Date	12-Apr-2023	<b>SPECIFICATION</b>	OLE WOLFF
	Page	4 / 8		www.owolff.com
	CN	P/N: OWMB-131310S-20-140		Revision: 00


## 6. TEST METHOD (Figure 1)



## 7. FREQUENCY RESPONSE (Figure 2)

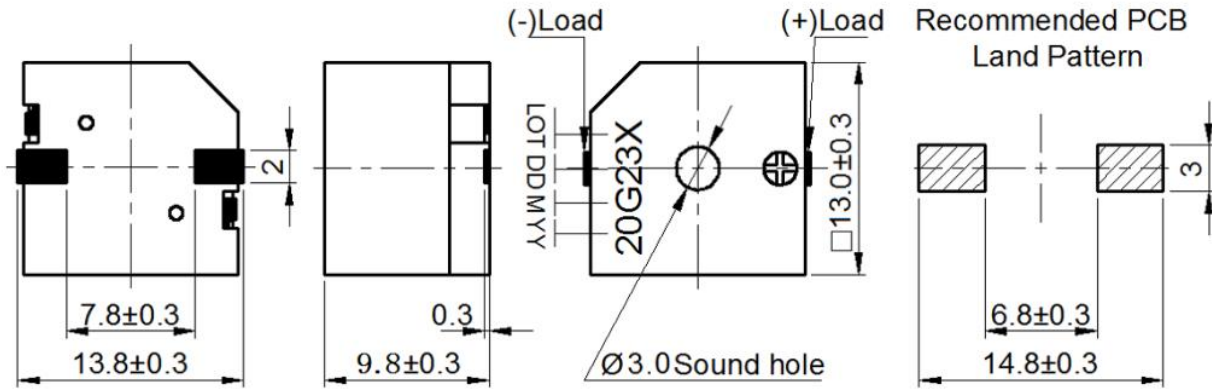


OLE WOLFF ELEKTRONIK A/S Roedengvej 25 4180 Soroe Denmark TEL: +45 57833830 FAX: +45 57820019	OLE WOLFF ELECTRONICS INC. 1525 McCarthy Blvd, Suite 1093 Milpitas, Ca 95035 USA TEL: +1 408 888 8413	OLEWOLFF ELEKTRONIK GmbH Schulstrasse 15A. DE-25451 Quickborn. Germany TEL: +49 (0) 4106 765900 FAX: +49 (0) 4106 627297	OLEWOLFF ELECTRONICS 3 Bedford Street, Woburn, Bedfordshire MK17 9QB, ENGLAND TEL: +44 (0) 1525 290755 FAX: +44 (0) 1525 290855	OLE WOLFF ELEKTRONIK Yliopistonkatu 26 (P.O.BOX 257) FI-40101 Jyväskylä Finland TEL: +358 14 338 3050 FAX: +358 14 338 3059	OLE WOLFF (ASIA) LTD. Unit B, 19/F., Bold Win Ind. Bldg., No. 16-18 Wah Sing St., Kwai Chung, N.T., H.K. TEL: +852 2424 3274 FAX: +852 2424 2219	OLE WOLFF LTD. 5 Floor, Block G, WenTao Industrial Park, YingRenShi, Bao'an District, Shenzhen, PRC TEL: +86 755 82612542 TEL: +86 755 26406156
---	---	--	--	--	--	---


	<b>Date</b>	12-Apr-2023	<b>SPECIFICATION</b>	<b>OLE WOLFF</b>
	<b>Page</b>	5 / 8		<b>www.owolff.com</b>
	<b>CN</b>	<b>P/N: OWMB-131310S-20-140</b>		<b>Revision: 00</b>

### 8. DIMENSIONS (Figure 3)

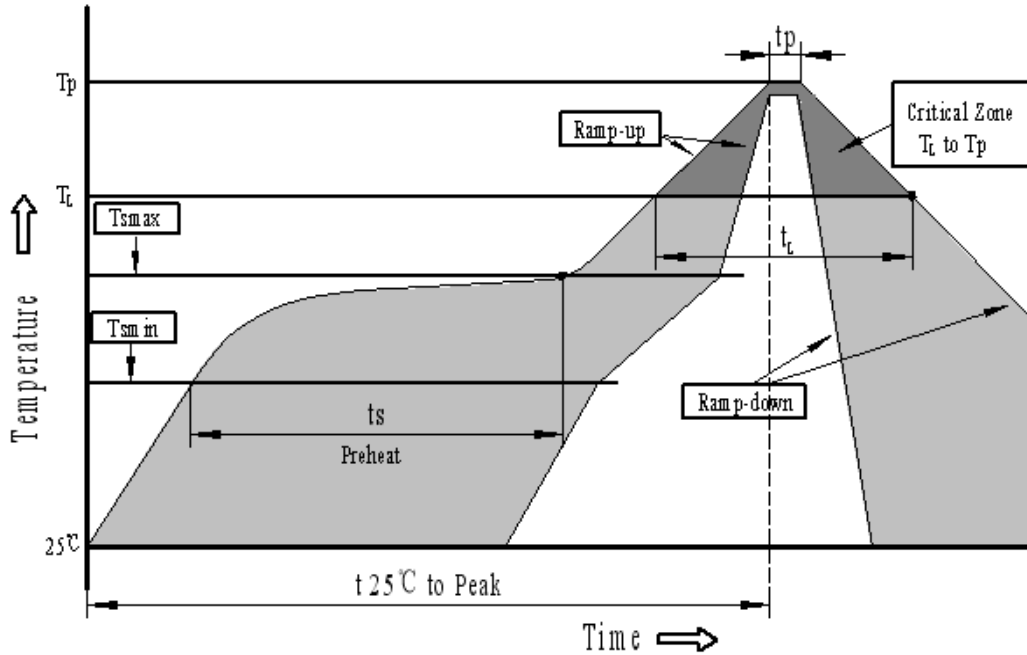
Unit: mm Tolerance:  $\pm 0.5\text{mm}$  Except Specified



OLE WOLFF ELEKTRONIK A/S Roedengvej 25 4180 Soroe Denmark  TEL: +45 57833830 FAX: +45 57820019	OLE WOLFF ELECTRONICS INC. 1525 McCarthy Blvd, Suite 1093 Milpitas, Ca 95035 USA  TEL: +1 408 888 8413	OLEWOLFF ELEKTRONIK GmbH Schulstrasse 15A. DE-25451 Quickborn. Germany  TEL: +49 (0) 4106 765900 FAX: +49 (0) 4106 627297	OLEWOLFF ELECTRONICS 3 Bedford Street, Woburn, Bedfordshire MK17 9QB, ENGLAND  TEL: +44 (0) 1525 290755 FAX: +44 (0) 1525 290855	OLE WOLFF ELEKTRONIK Yliopistonkatu 26 (P.O.BOX 257) FI-40101 Jyväskylä Finland  TEL: +358 14 338 3050 FAX: +358 14 338 3059	OLE WOLFF (ASIA) LTD. Unit B, 19/F., Bold Win Ind. Bldg., No. 16-18 Wah Sing St., Kwai Chung, N.T., H.K.  TEL: +852 2424 3274 FAX: +852 2424 2219	OLE WOLFF LTD. 5 Floor, Block G, WenTao Industrial Park, YingRenShi, Bao'an District, Shenzhen, PRC  TEL: +86 755 82612542 TEL: +86 755 26406156
---	---	--	--	--	--	---


	Date	12-Apr-2023	<b>SPECIFICATION</b>	OLE WOLFF
	Page	6 / 8		www.owolff.com
	CN	P/N: OWMB-131310S-20-140		Revision: 00

**9. Recommended Temp. Profile for Reflow Oven (Figure 4)**

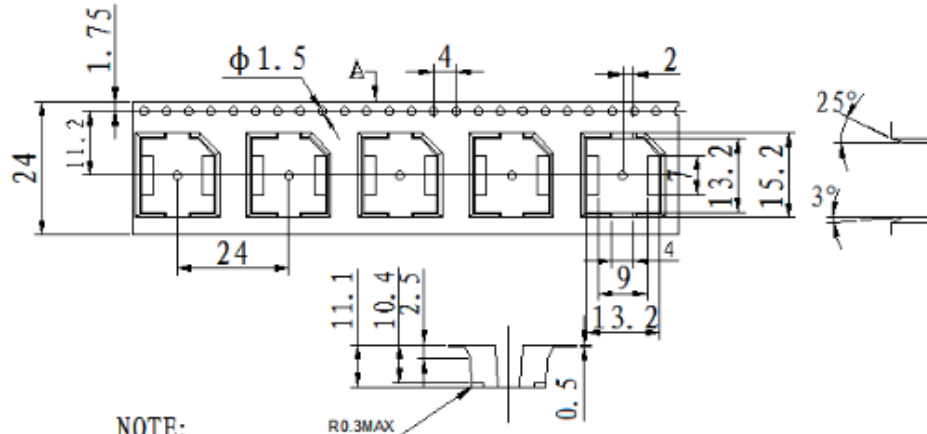


Profile Feature	Pb-Free Assembly
Average ramp-up rate( $T_L$ to $T_p$ )	3°C/second max.
Preheat	
-Temperature Min.( $T_{smin}$ )	150°C
-Temperature Min.( $T_{smax}$ )	200°C
-Temperature Min.( $t_s$ )	60~180 seconds
$T_{smax}$ to $T_L$	
-Ramp-up Rate	3°C/second max.
Time maintained above:	
- Temperature( $T_L$ )	217°C
-Time( $T_L$ )	60~150 seconds
Peak temperature( $T_p$ )	245°C+0/-5°C
Time within 5°C of actual Peak temperature ( $t_p$ )	6 seconds max.
Ramp-down Rate	6°C/second max.
Time 25°C to Peak Temperature	8 minutes max.

OLE WOLFF ELEKTRONIK A/S Roedengvej 25 4180 Soroe Denmark TEL: +45 57833830 FAX: +45 57820019	OLE WOLFF ELECTRONICS INC. 1525 McCarthy Blvd, Suite 1093 Milpitas, Ca 95035 USA TEL: +1 408 888 8413	OLEWOLFF ELEKTRONIK GmbH Schulstrasse 15A. DE-25451 Quickborn. Germany TEL: +49 (0) 4106 765900 FAX: +49 (0) 4106 627297	OLEWOLFF ELECTRONICS 3 Bedford Street, Woburn, Bedfordshire MK17 9QB, ENGLAND TEL: +44 (0) 1525 290755 FAX: +44 (0) 1525 290855	OLE WOLFF ELEKTRONIK Yliopistonkatu 26 (P.O.BOX 257) FI-40101 Jyväskylä Finland TEL: +358 14 338 3050 FAX: +358 14 338 3059	OLE WOLFF (ASIA) LTD. Unit B, 19/F., Bold Win Ind. Bldg., No. 16-18 Wah Sing St., Kwai Chung, N.T., H.K. TEL: +852 2424 3274 FAX: +852 2424 2219	OLE WOLFF LTD. 5 Floor, Block G, WenTao Industrial Park, YingRenShi, Bao'an District, Shenzhen, PRC TEL: +86 755 82612542 TEL: +86 755 26406156
---	---	--	--	--	--	---

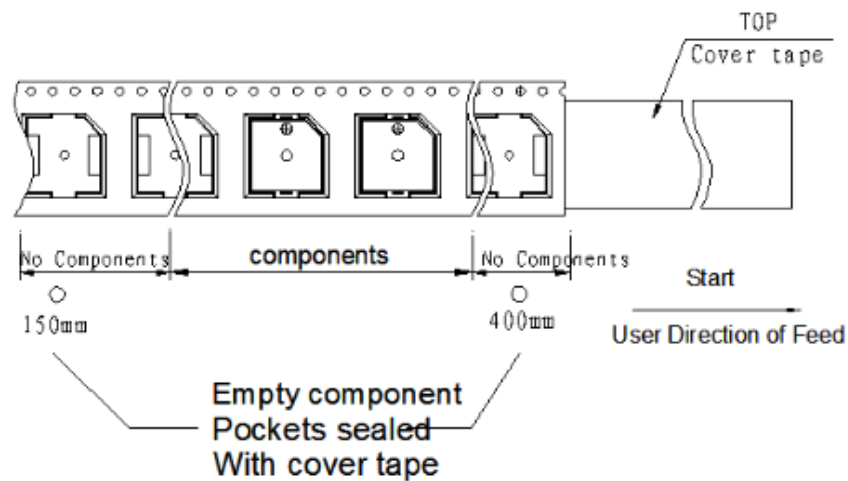
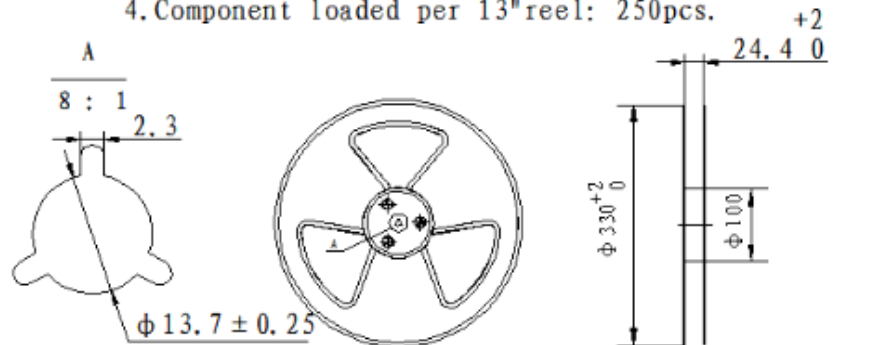
	Date	12-Apr-2023	<b>SPECIFICATION</b>	OLE WOLFF
	Page	7 / 8		www.owolff.com
	CN	P/N: OWMB-131310S-20-140		Revision: 00

### 10. PACKAGE INFORMATION (Figure 5)




NOTE:

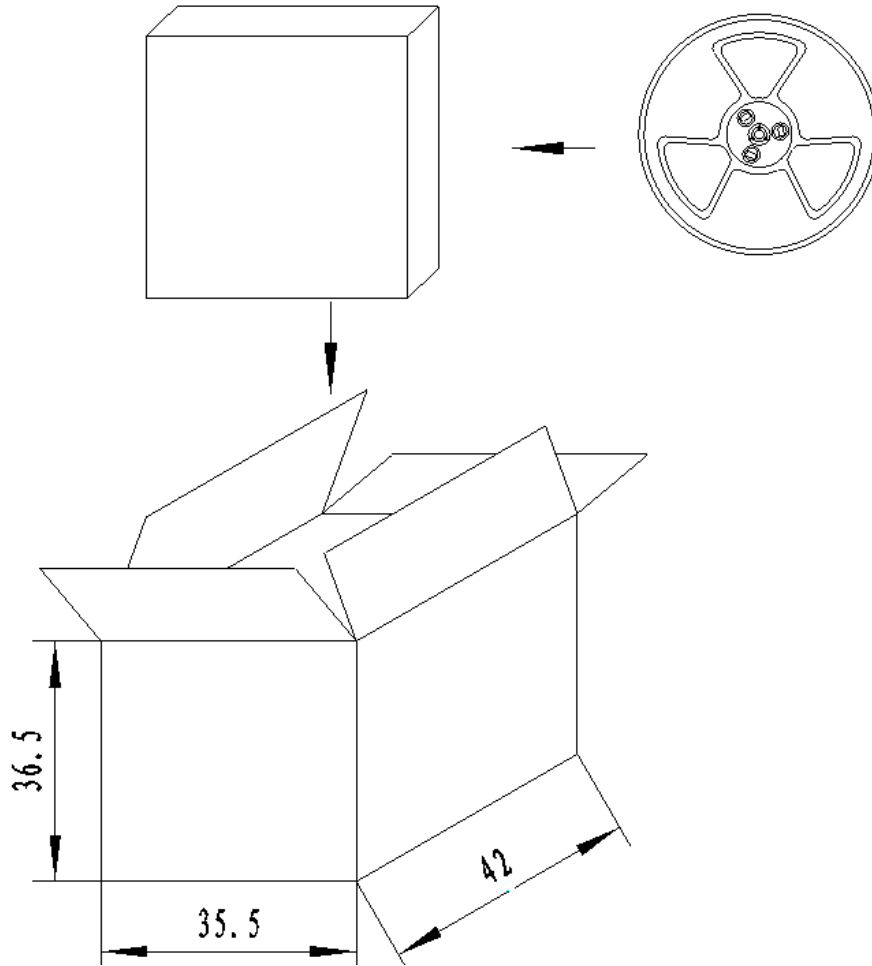
1. 10 sprocket hole pitch cumulative tolerance  $\pm 0.2\text{mm}$ .
2. All dimensions meet EIA-481-D requirements.
3. Thickness:  $0.5 \pm 0.05\text{mm}$ .
4. Component loaded per 13" reel: 250 pcs.



OLE WOLFF ELEKTRONIK A/S Roedengvej 25 4180 Soroe Denmark TEL: +45 57833830 FAX: +45 57820019	OLE WOLFF ELECTRONICS INC. 1525 McCarthy Blvd, Suite 1093 Milpitas, Ca 95035 USA TEL: +1 408 888 8413	OLEWOLFF ELEKTRONIK GmbH Schulstrasse 15A. DE-25451 Quickborn. Germany TEL: +49 (0) 4106 765900 FAX: +49 (0) 4106 627297	OLEWOLFF ELECTRONICS 3 Bedford Street, Woburn, Bedfordshire MK17 9QB, ENGLAND TEL: +44 (0) 1525 290755 FAX: +44 (0) 1525 290855	OLE WOLFF ELEKTRONIK Yliopistonkatu 26 (P.O.BOX 257) FI-40101 Jyväskylä Finland TEL: +358 14 338 3050 FAX: +358 14 338 3059	OLE WOLFF (ASIA) LTD. Unit B, 19/F., Bold Win Ind. Bldg., No. 16-18 Wah Sing St., Kwai Chung, N.T., H.K. TEL: +852 2424 3274 FAX: +852 2424 2219	OLE WOLFF LTD. 5 Floor, Block G, WenTao Industrial Park, YingRenShi, Bao'an District, Shenzhen, PRC TEL: +86 755 82612542 TEL: +86 755 26406156
---	---	--	--	--	--	---

	Date	12-Apr-2023	<b>SPECIFICATION</b>	OLE WOLFF
	Page	8 / 8		www.owolff.com
	CN	P/N: OWMB-131310S-20-140		Revision: 00

**11. PACKAGE INFORMATION (Figure 6)**



**NOTES:**

- 1.250 PCS per box
2. Total 10 boxes per carton
- 3.Total 2500 PCS carton

OLE WOLFF ELEKTRONIK A/S Roedengvej 25 4180 Soroe Denmark  TEL: +45 57833830 FAX: +45 57820019	OLE WOLFF ELECTRONICS INC. 1525 McCarthy Blvd, Suite 1093 Milpitas, Ca 95035 USA  TEL: +1 408 888 8413	OLEWOLFF ELEKTRONIK GmbH Schulstrasse 15A. DE-25451 Quickborn. Germany  TEL: +49 (0) 4106 765900 FAX: +49 (0) 4106 627297	OLEWOLFF ELECTRONICS 3 Bedford Street, Woburn, Bedfordshire MK17 9QB, ENGLAND  TEL: +44 (0) 1525 290755 FAX: +44 (0) 1525 290855	OLE WOLFF ELEKTRONIK Yliopistonkatu 26 (P.O.BOX 257) FI-40101 Jyväskylä Finland  TEL: +358 14 338 3050 FAX: +358 14 338 3059	OLE WOLFF (ASIA) LTD. Unit B, 19/F., Bold Win Ind. Bldg., No. 16-18 Wah Sing St., Kwai Chung, N.T., H.K.  TEL: +852 2424 3274 FAX: +852 2424 2219	OLE WOLFF LTD. 5 Floor, Block G, WenTao Industrial Park, YingRenShi, Bao'an District, Shenzhen, PRC  TEL: +86 755 82612542 TEL: +86 755 26406156
---	---	--	--	--	--	---