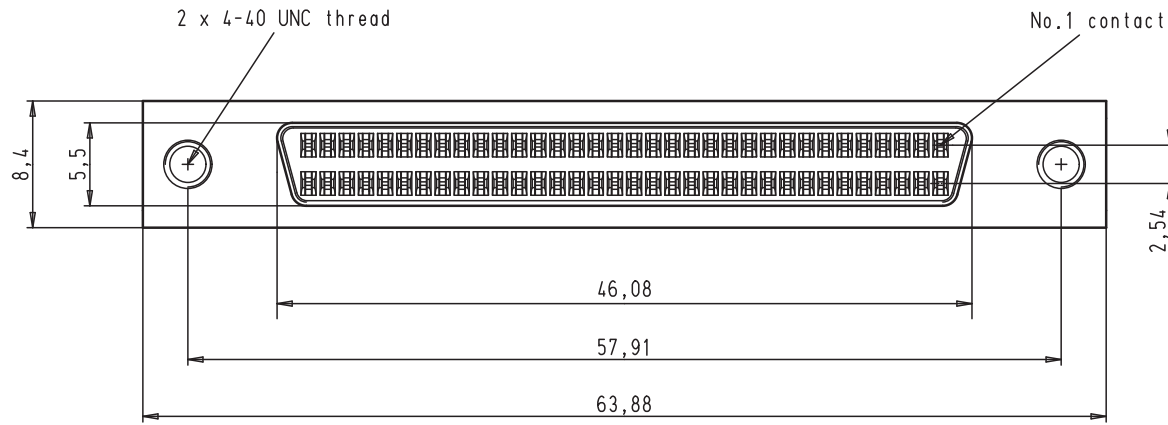
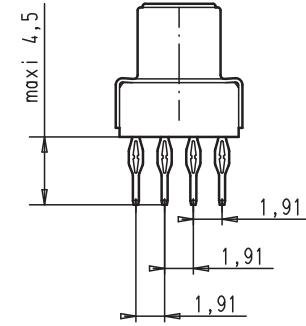
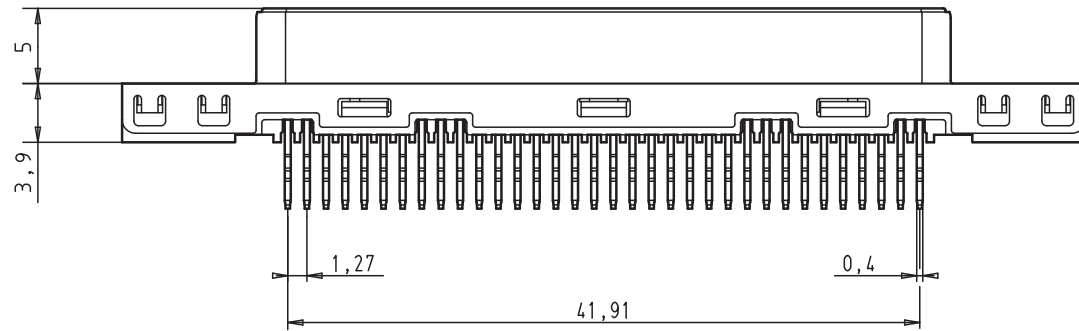
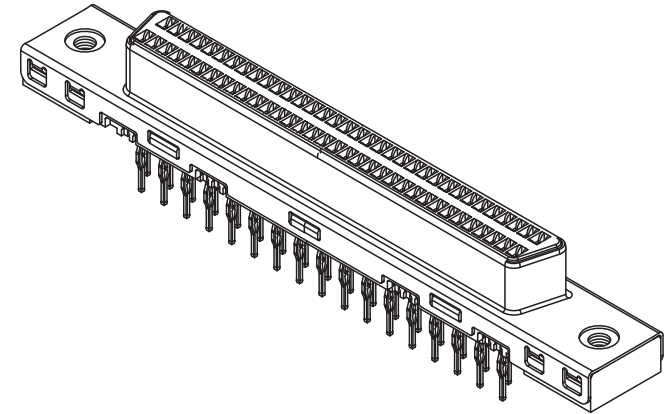
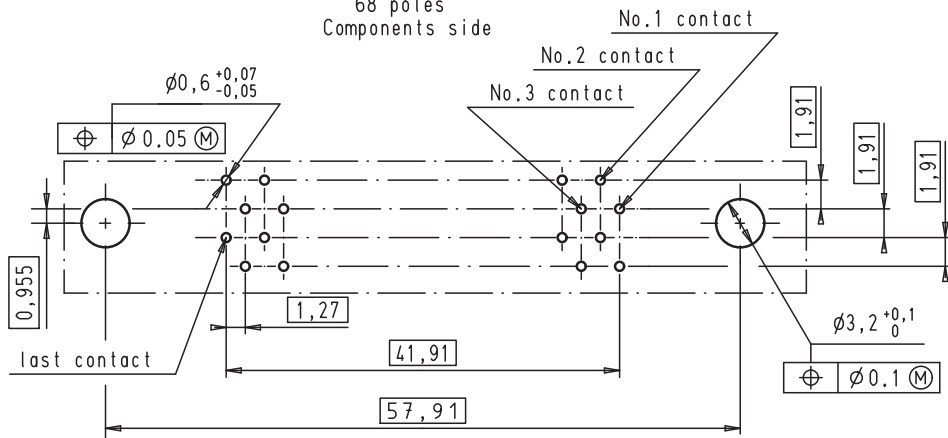




Alle Rechte vorbehalten/ All rights reserved



layout holes for PCB  
1,6 to 3,2 thickness  
68 poles  
Components side



EC01593	03-MAY-10	SC		Det.	Name	 All Dim. in mm Orig. Size DIN A 3	har.mik® SCSI 3	I/O pin/socket	Maßstab/ Scale
27941	30-AUG-00	JB	Detail.	27/05/98	jfb		68 poles har.press straight female connector with 4-40 UNC thread	3:1	
26597	02/05/00	jfb	Insp.						
26589	11/04/00	jfb	Stand.						
23297	04/06/99	jfb							
23225	27/05/98	jfb							
Mod.	Det.	Name	HARTING EURL F-95972 Paris				TB 60 02 068 5322	Blatt/ Page 1 / 1	
							Sub.		