



Tools for
Advancing
Innovation

Cutters

Selection Guide



Know Your Cutters

Accu-Cut

Premium-Grade Cutters



- Forged carbon steel cutting heads provide 63-65 HRC
- ESD Safe, ergonomic grips designed for all hand sizes
- Dual leaf spring release for reduced hand fatigue
- Screw-joint construction for tight, reliable alignment
- Rigorously tested in Aven's custom cutting machine

Technik Cutters

Professional-Grade Cutters



- Induction-hardened 400 series stainless steel cutting heads provide 50-52 HRC
- ESD Safe ergonomic cushion grips
- Box-joint construction provides precise alignment
- Flush/Semi-Flush models

Niptec Cutters

Industrial-Grade Cutters



- Carbon Steel cutting blades provide 56-58 HRC
- Lap and rivet joint construction
- Economic introduction to cutting wires, leads and other objects
- Select models with spring-release for reduced hand fatigue

Accu-Cut

Premium-Grade Cutters

Manufactured from forged steel, Aven's Accu-Cut cutters feature a hardness of 63-to-65 HRC for exceptional durability as well as ergonomic hand grips.

Oval Head Cutters

Item #	Cutting Edge
10821S	Semi-flush
10821F	Flush

This popular style can be used for many applications.

Cutting Capacity:
0.2 to 1.25mm

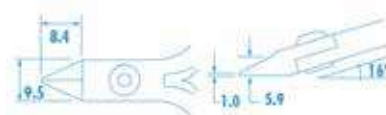


Tapered Head Cutters

Item #	Cutting Edge
10825S	Semi-flush
10825F	Flush

Compact pointed head for increased access, yet covers a wide range.

Cutting Capacity:
0.20 to 1.25mm



Oval Head Relief Cutters

Item #	Cutting Edge
10822S	Semi-flush
10822F	Flush

Same features as the Oval Head Cutter with relief for extra accessibility.

Cutting Capacity:
0.2 to 1.2mm



Tapered Head Relief Cutters

Item #	Cutting Edge
10826S	Semi-flush
10826F	Flush

Same features as the Tapered Head Cutter with relief for extra accessibility.

Cutting Capacity:
0.20 to 1.15mm



Large Oval Head Cutters

Item #	Cutting Edge
10823S	Semi-flush
10823F	Flush

Popular for wire and cable, 25% larger than the standard oval cutters.

Cutting Capacity:
0.2 to 1.5mm



Mini Tapered Head Relief Cutters

Item #	Cutting Edge
10828S	Semi-flush
10828F	Flush

For exceptionally fine cutting work. Reach small and difficult areas.

Cutting Capacity:
0.2 to 1.1mm



XL Oval Head Cutters

Item #	Cutting Edge
10829S	Semi-flush
10829F	Flush

The largest and most durable Accu-Cut Cutter.

Cutting Capacity:
0.4 to 2mm



Mini Oval Head Cutters

Item #	Cutting Edge
10827S	Semi-flush
10827F	Flush

SMT Cutter, 30% smaller than standard oval cutters.

Cutting Capacity:
0.2 to 1.25mm



Accu-Cut Cross Reference Guide

	Part #	Description	Xcelite	Xuron	Swanstrom Spartan Series
	10821S	Cutter Oval Head, SF, Std Hdle	MS 54V	9100	610 410 510
	10821F	Cutter Oval Head, FI, Std Hdle	MS 54J	9100F	411 511 611
	10822S	Cutter Oval Head Relv, SF, Std Hdle	N/A	N/A	N/A
	10822F	Cutter Oval Head Relv, FI, Std Hdle	N/A	9100	413
	10823S	Cutter Oval Head, Lg, SF, Std Hdle	S 55NKS S 54NKS	9100	N/A
	10823F	Cutter Oval Head, Lg, SF, Std Hdle	822N	N/A	N/A
	10825S	Cutter Tapr Head, SF, Std, Hdle	N/A	9200	N/A
	10825F	Cutter Tapr Head, FI, Std, Hdle	S 141SNJS MS 549JV	9200	415 616
	10826S	Cutter Tapr Relv, FI, Std Hdle	884E	N/A	N/A
	10826F	Cutter Tapr Head Relv, FI, Std Hdle	MS 543JV	N/A	N/A
	10827S	Cutter Oval Head Min, SF, Std Hdle	614N	N/A	N/A
	10827F	Cutter Oval Head Min, FI, Std Hdle	622N	170	413
	10828S	Cutter Tapered Min Relv, SF, Std Hdle	622NA MS 545V	170	N/A
	10828F	Cutter Tapered Min Relv, FI, Std Hdle	622 NB MS 545JV	N/A	420 520
	10829S	XL Oval Head Cutter with Semi-Flush Blade	N/A	N/A	N/A
	10829F	XL Oval Head Cutter with Flush Blade	N/A	N/A	N/A

Click here to further explore
Avens Accu-cut cutters selection

Technik Cutters

Professional-Grade Cutters

Manufactured from 400 series stainless steel and fortified with induction hardened jaws, Technik are extremely durable, as well as ergonomic.

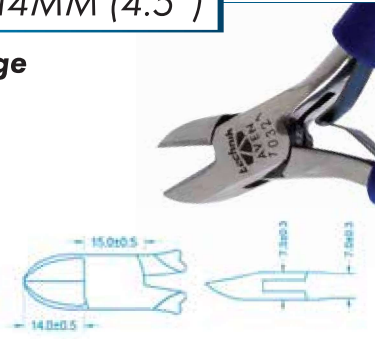
Oval Head Cutters 114MM (4.5")

Item # Cutting Edge

- 10321 Semi-flush
- 10323 Flush

This popular style can be used for many applications.

Cutting Capacity:
0.2 to 1.25mm



Mini Tapered Head Cutters 110MM (4.3")

Item # Cutting Edge

- 10331 Flush

Designed for applications where access to cutting area is difficult.

Cutting Capacity:
0.1 to 1.25mm

Line drawing available upon request



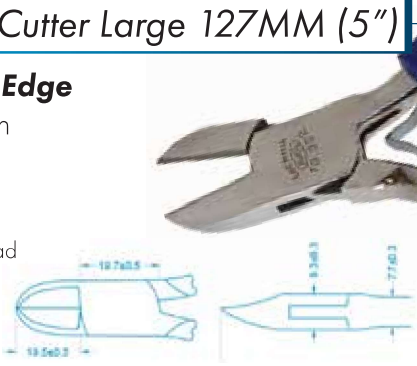
Oval Head Relief Cutter Large 127MM (5")

Item # Cutting Edge

- 10322 Semi-flush
- 10324 Flush

5" Stainless Steel Oval Head Cutter with ESD Safe Grip.

Cutting Capacity:
0.2 to 1.5mm



Tip Cutter 114MM (4.5")

Item # Cutting Edge

- 10330 Flush

Tip cutter with deep relief and low profile. Short sturdy flush cutting edges.

Cutting Capacity:
0.1 to 1.05mm

Line drawing available upon request



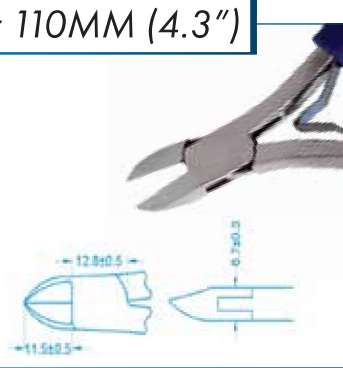
Mini Oval Head Cutter 110MM (4.3")

Item # Cutting Edge

- 10332 Flush

Designed for applications where access to cutting area is difficult.

Cutting Capacity:
0.1 to 1.25mm



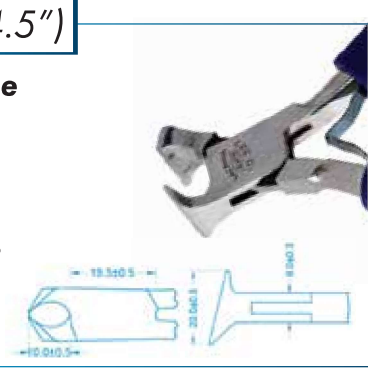
End Cutter 114MM (4.5")

Item # Cutting Edge

- 10328 Semi-Flush

Cut close to the surface of your material. Allows you to use the tip of the cutter for fine wire cutting

Cutting Capacity:
0.2 to 1.25mm



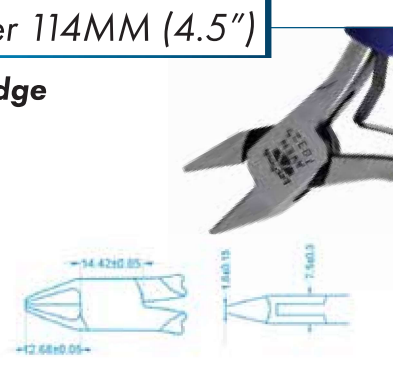
Tapered Head Cutter 114MM (4.5")

Item # Cutting Edge

- 10325 Semi-flush
- 10326 Flush

Compact pointed head for increased access, yet covers a wide range.

Cutting Capacity:
0.2 to 1.25mm



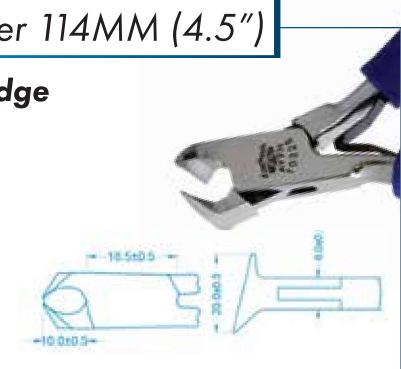
Oblique Head Cutter 114MM (4.5")

Item # Cutting Edge

- 10327 Semi-flush

Oblique tip allows you to use the tip of the cutter for fine wire cutting.

Cutting Capacity:
0.2 to 1.25mm



[Click here](#) to further explore Avens Technik cutters selection

Niptec Cutters

Industrial-Grade Cutters

Simple to use and ergonomic, Niptec Cutters are spring enabled and compact for easy access to tight spaces.

Niptec TR 5000 Cutter

Item # 10501
Cutting Edge Semi-flush

This popular style can be used for many applications.

Cutting Capacity:
12 AWG



Niptec TR 20 50M Cutter

Item # 10525
Cutting Edge Flush

Narrow cutting head angled at 45° for access into dense areas.

Cutting Capacity:
22 AWG

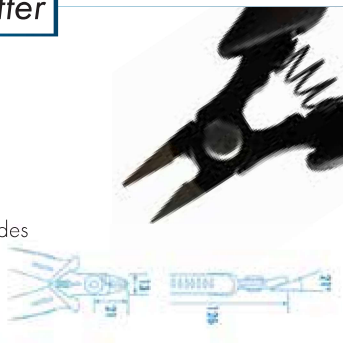


Niptec TR 5000PG Cutter

Item # 10503
Cutting Edge Flush

These compact wire cutters feature pointed, long-lasting, 5mm thick blades allowing access in tight spaces.

Cutting Capacity:
16 AWG

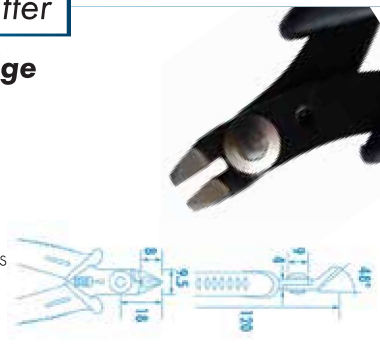


Niptec TR 20 TM Cutter

Item # 10526
Cutting Edge Flush

Narrow cutting head angled at 45° for access into dense areas.

Cutting Capacity:
22 AWG

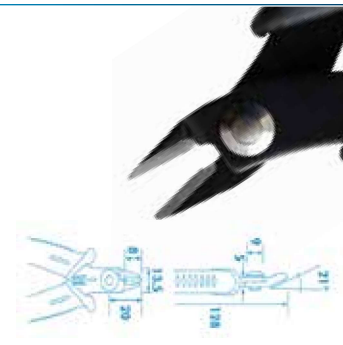


Niptec TR 25 Cutter

Item # 10521
Cutting Edge Flush

Designed for cutting soft copper wire.

Cutting Capacity:
18 AWG

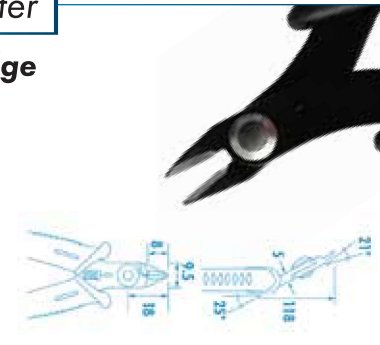


Niptec TR 20M Cutter

Item # 10527B
Cutting Edge Flush

Small cutting head angled at 21° for access into difficult to reach places.

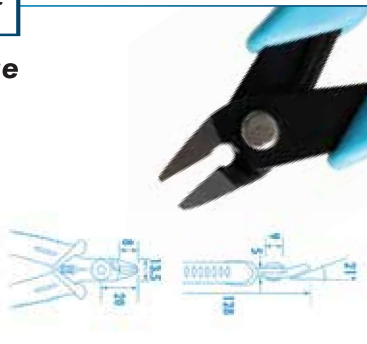
Cutting Capacity:
20 AWG



Niptec TR 25-E Cutter

Item # 10521EC
Cutting Edge Flush

Has a narrow cutting head for greater access into dense areas. **Cutting Capacity:**
16 AWG



[Click here](#) to further explore
Avens Niptec cutters selection



Stainless Steel Industrial Cutters

Diagonal Cutter

w/Comfort Grip Handles 6.25"



- Semi-flush
- Manufactured from 400 series stainless steel
- Mirror polished to provide excellent rust resistance
- Oval head designed for greater access in confined spaces
- Beveled cutting edge is hardened for long lasting performance
- Ergonomically designed grips for extra comfort

Diagonal Cutter

W/Out Comfort Grip Handles 6"



- Semi-flush
- Manufactured from 400 series stainless steel
- Mirror polished to provide excellent rust resistance
- Oval head designed for greater access in confined spaces
- Beveled cutting edge is hardened for long lasting performance
- Can be autoclaved to temperatures up to 250 degrees Fahrenheit

Diagonal Cutter














7" High Leverage Stainless Steel



- Semi-flush
- Manufactured from 400 series stainless steel
- Mirror polished to provide excellent rust resistance
- Oval head designed for greater access in confined spaces
- Beveled cutting edge is hardened for long lasting performance
- Can be autoclaved to temperatures up to 250 degrees Fahrenheit

[Click here](#) to further explore
Avens Stainless Steel selection

Aven Cutters Comparison Chart

Head Style	Picture	Accu-Cut Premium		Technik High Precision		Stealth Cutters Industrial	
		Semi-Flush	Flush	Semi-Flush	Flush	Semi-Flush	Flush
Oval Head		10821S	10821F	10321	10323	10921S	10921F
Oval Head w/ Relief		10822S	10822F			10922S	10922F
Large Oval Head		10823S	10823F				
XL Oval Head		10829S	10829F			10923S	10923F
Mini Oval Head		10827S	10827F				10927F
Tapered Head		10825S	10825F	10325	10326	10925S	10925F
Tapered Head w/ Relief		10826S	10826F		10329		
Mini Tapered w/ Relief		10828S	10828F		10331		10928F
Tip Cutter					10330		
End Cutter				10327			
Oblique Head Cutter				10328			
Mini Angulated Cutter							10934F
Large Angulated Cutter							10935F

CONTACT US