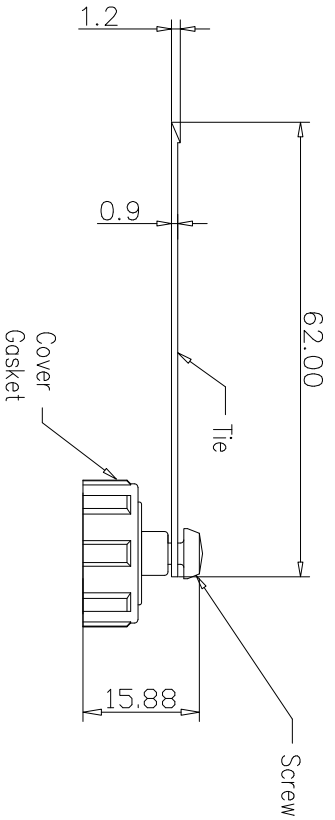
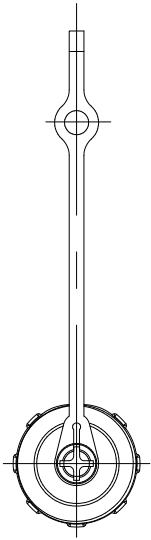
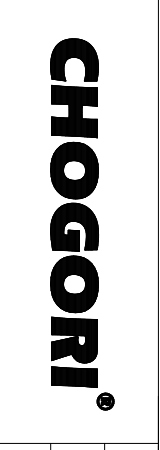


REV.	ECN NO.	DESCRIPTION	SIGN	DATE
C1	N/A	Initial Drawing	Xinkunfu	2019/08/13



Specification:
 1. The Surface Must Not Be Dirty, Burning Glue, Lack Of Materials, Cracks And Severe Shrinkage.
 2. RoHS Compliant.
 3. RJ45 Waterproof Cover: Nylon+GF
 4. Tie: Nylon+GF
 5. Gasket: Silicon
 6. Waterproof Rate: IP67(Mated)

UNIT: mm	DESCRIPTION	RJ45 Waterproof Cover (screw type)
TOLERANCE .X .XX .XXX ANGLES	SCALE: 1:1	SHEET 1 OF 1
	REV: C1	SIZE A4
		* : Inspection Item



PART NO	806-00001-00	DRAWN BY	Xinkunfu	DATE	2019/08/13
DWG NO		CHECKED BY	Allen	DATE	2019/08/13
CUSTOMER		APPROVED BY	Ponson	DATE	2019/08/13