

SEQUENTMICROSYSTEMS.COM

ESP32-PI-V1_1

SKU : SM-A-012

PI CONNECTOR

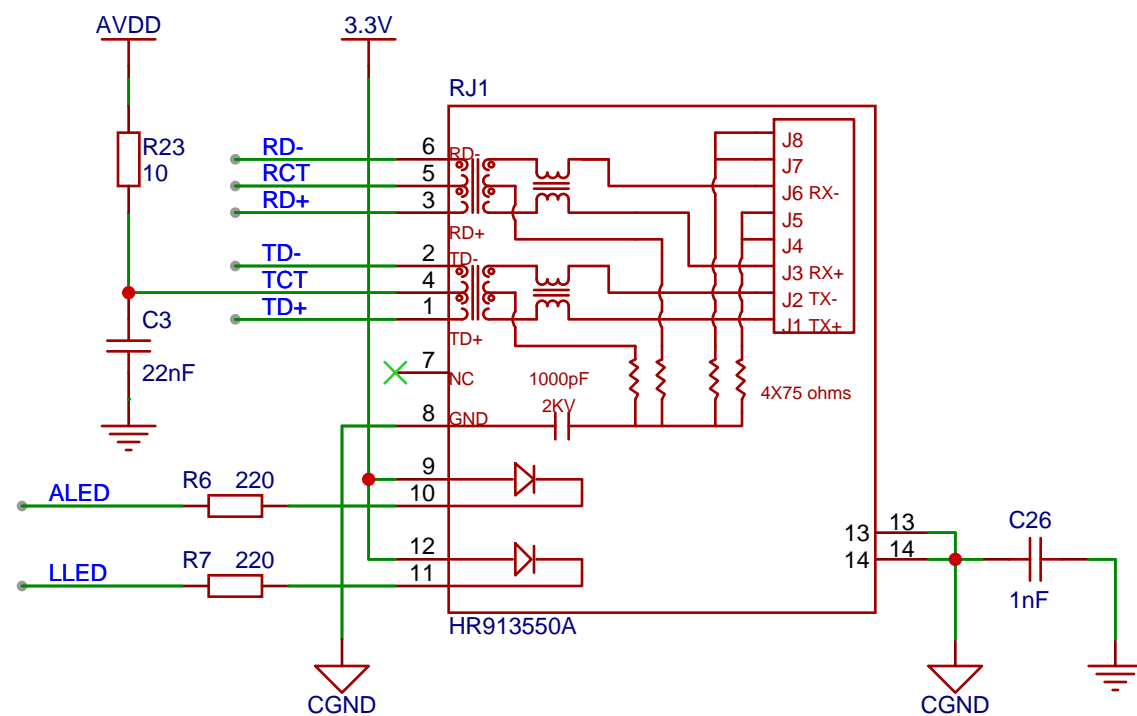
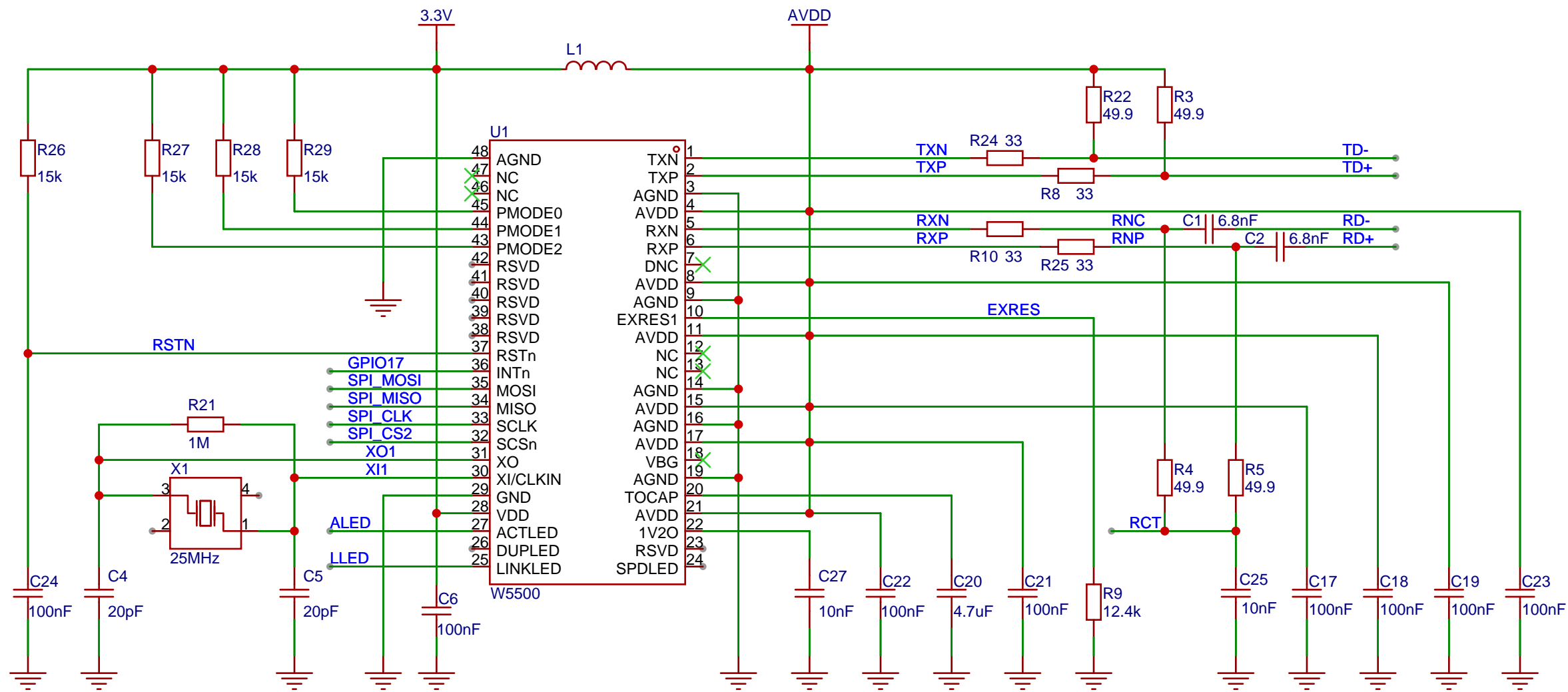
VER : 1.1

Created: 2023-02-03

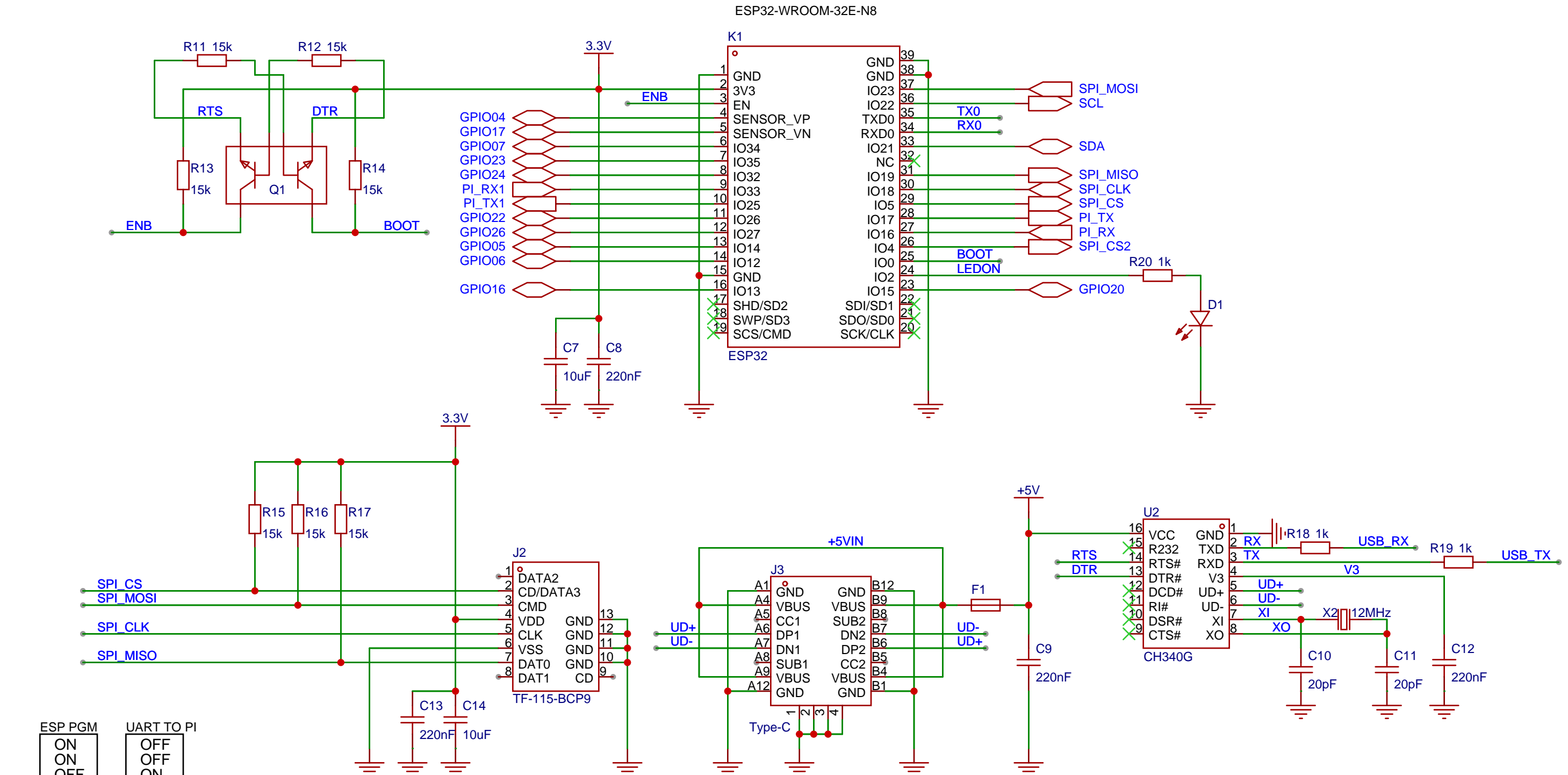
Updated: 2023-03-14

UPC : 4782912926635

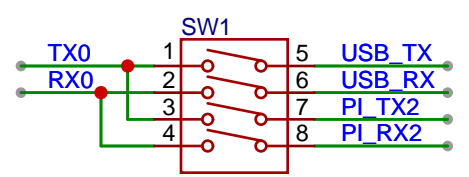
PAGE 1 OF 5



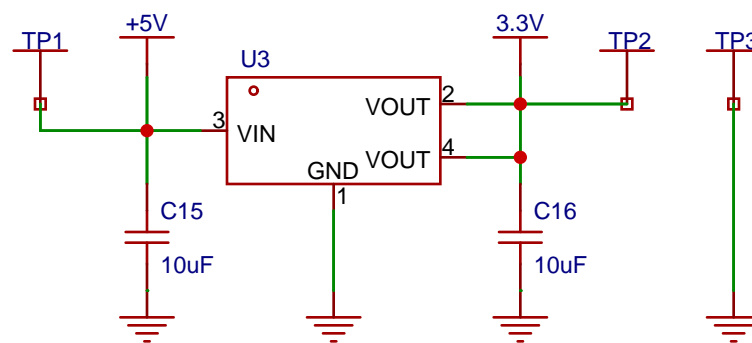
SEQUENTMICROSYSTEMS.COM	
ESP32-PI-V1_1	SKU : SM-A-012
ETHERNET	VER : 1.1
Created: 2023-02-03	Updated: 2023-03-10
UPC : 4782912926635	PAGE 2 OF 5



ESP PGM	UART TO PI
ON	OFF
ON	OFF
OFF	ON
OFF	ON



SEQUENTMICROSYSTEMS.COM	
ESP32-PI-V1_1	SKU : SM-A-012
ESP32	VER : 1.1
Created: 2023-02-03	Updated: 2023-05-13
UPC : 4782912926635	PAGE 3 OF 5



SEQUENTMICROSYSTEMS.COM

ESP32-PI-V1_1

SKU : SM-A-012

POWER SUPPLY

VER : 1.1

Created: 2023-02-03

Updated: 2023-02-23

UPC : 4782912926635

PAGE 4 OF 5

1 2 3 4 5 6

A

A

B

B

C

C

D

D

MOUNTING HOLES



Convert to PCB : yes

HOLE COORDS

138,138
 2421,138
 138,2067
 2421,2067

SEQUENTMICROSYSTEMS.COM

ESP32-PI-V1_1

SKU : SM-A-012

ACCESSORIES

VER : 1.1

Created: 2023-02-03

Updated: 2023-02-04

UPC : 4782912926635

PAGE 5 OF 5

1 2 3 4 5 6