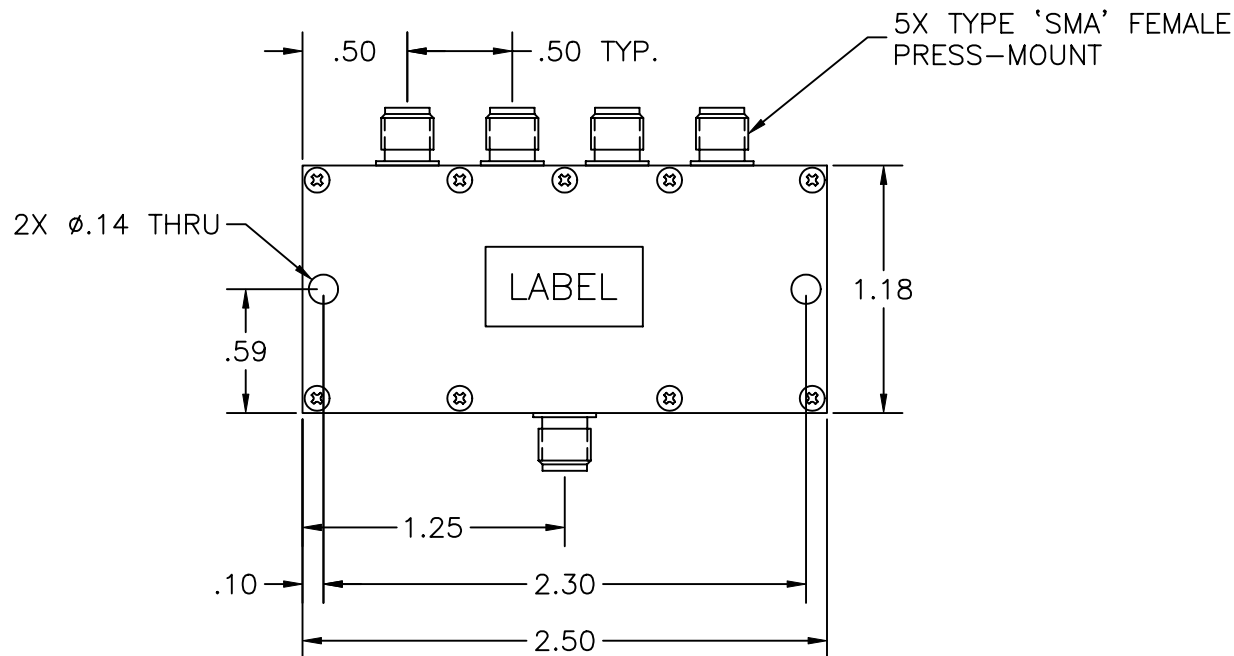
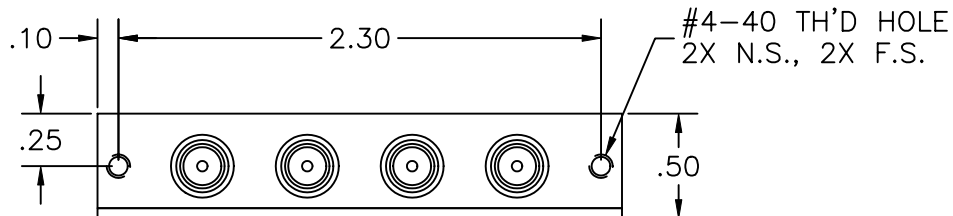


PROPRIETARY DATA OF IF Engineering Corp.  
 THIS DOCUMENT CONTAINS PROPRIETARY INFORMATION.  
 ANY REPRODUCTION, DISCLOSURE, OR USE OF  
 ITS CONTENTS IS EXPRESSLY PROHIBITED EXCEPT AS  
 AUTHORIZED BY IF Engineering Corp.

### REVISION

LTR.	DESCRIPTION	DATE	APPVL.
A	REDRAW	2/02	LCF
B	ADD MNT HOLES	7/25/02	LCF
C	ADD VIEW	12/03/03	CJC
D	REDRAWN (NEW CHASSIS)	12/29/04	MJD
E	correct chassis	6-15-05	CL
F	Added Cover Mtg. Screws	7/19/06	MJD
G	CHANGED PER ECN 1038003	9/29/10	MJD
H	CHANGED PER ECN 1538003	9/15/15	MJD



### ELECTRICAL SPECIFICATION FOUR WAY POWER DIVIDER

FREQUENCY RANGE (MHZ)	2-100
ISOLATION (dB) MIN.	30
INSERTION LOSS (dB) MAX.	0.5
AMPLITUDE BAL. (dB) MAX.	±0.25
PHASE BAL. (°) MAX.	±3.0
VSWR MAX.	
IN	1.2:1
OUT	1.2:1
IMPEDANCE (OHMS) NOM.	50
TEMPERATURE RANGE (°C)	0 TO +70

**RoHS  
 Compliant**

UNLESS OTHERWISE SPECIFIED  
 DRAWING PRACTICES PER  
 MIL-STD-100

TOLERANCES ANGLES ±1/2°  
 .XX ±.01 .XXX ±.005

SURFACE 63/ REMOVE BURRS  
 ROUGHNESS ✓ SHARP EDGES

MATERIAL: SEE NOTE 1

FINISH: SEE NOTE 2

DRAWN DATE  
 LCF 2/14/94

ENGRG APPD DATE

MFG APPD DATE

QA APPD DATE

RELEASED DATE

**IFE ENGINEERING**  
 3 FOSHAY ROAD, DUDLEY MA 01571

TITLE  
 OUTLINE DRAWING  
 PD-4002-S

SIZE	CODE IDENT NO.	DRAWING NO.	REV.
A	OUF A1	004-032-181	H

SCALE 1:1 SHEET 1 OF 1

### NOTES:

1. MATERIAL: CHASSIS & COVER ALUMINUM
2. FINISH: CLEAR CHROMATE
3. SPECIFICATION SUBJECT TO CHANGE WITHOUT NOTICE