



AVCOMM®

# 4005GX-POE

## Datasheet

Aiming to create better and safer working environments and life experiences through the products we deliver.



AVCOMM Technologies, Inc

[www.avcomm.us](http://www.avcomm.us)

Email: [info@avcomm.us](mailto:info@avcomm.us)

Phone: (713) 933-4534

Address: 333 West Loop North, Suite 460  
Houston, TX 77024  
United States

## Reliable Plug and Play Industrial Ethernet Switch for Automation and Electrical OEM

### 4005GX-PoE

#### Industrial Unmanaged Ethernet Switch

AVCOMM 4005GX-PoE unmanaged Ethernet switch is 1-port 1000Base-X and 4-port 10/100/1000Base-TX RJ-45 which supports IEEE802.3af/at (PoE), provides connected device 30W per PoE network interface. It is highly scalable and can transmit data over long distances through fiber-optic ports. It has wide operation temperature range, high anti-EMI capability to ensure stable work in harsh industrial environments and supports DIN Rail-mounted/wall-mounted to facilitate in various industrial network applications.



#### Features & Benefits

##### Fast Ethernet Switching

- Four (4) 10/100/1000BaseT(X) RJ-45 ports and one (1) 1000BaseFX port (SC ST FC optional)
- 1K MAC address table
- Store and forwarding with non-blocking technology
- Support 4 x 1000M PoE, IEEE802.3af/at(PoE)

##### Power protection

- Provide overload protection
- Provide reverse connection protection

##### Rugged Mechanical Design

- Robust design protects from mechanical deformation
- IP40 industrial rating to withstand harsh environments
- Wide operating temperature range -40°C ~ +75°C

##### IEEE 802.3u EEE Power Management

- Up to 30W per PoE port
- Energy Efficient Ethernet for low power requirement
- Idle power saving mode for energy efficiency

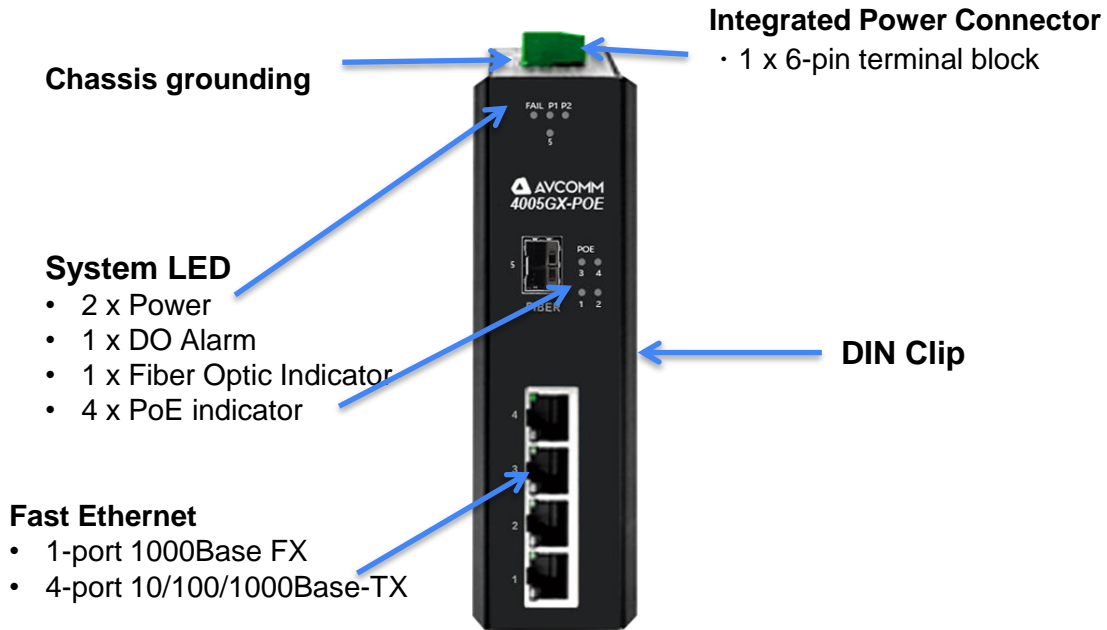
#### Order Information

Model Name	Description
4005GX-PoE-SC	5-Port Industrial Unmanaged PoE Ethernet Switch, 4 RJ45 10/100/1000BaseT(X) with PoE/PoE+ supported, 1 1000BaseFX (Multimode, SC style connector), Dual power Input 48VDC(46~57), -40°C to +75°C
4005GX-PoE-ST	5-Port Industrial Unmanaged PoE Ethernet Switch, 4 RJ45 10/100/1000BaseT(X) with PoE/PoE+ supported, 1 1000BaseFX (Multimode, ST style connector), Dual power Input 48VDC(46~57), -40°C to +75°C
4005GX-PoE-FC	5-Port Industrial Unmanaged PoE Ethernet Switch, 4 RJ45 10/100/1000BaseT(X) with PoE/PoE+ supported, 1 1000BaseFX (Multimode, FC style connector), Dual power Input 48VDC(46~57), -40°C to +75°C
4005GX-PoE-SFP	5-Port Industrial Unmanaged PoE Ethernet Switch, 4 RJ45 10/100/1000BaseT(X) with PoE/PoE+ supported, 1 1000BaseFX (SFP slot), Dual power Input 48VDC(46~57), -40°C to +75°C

## Specifications

Technology	
Standard	IEEE 802.3af/at, IEEE802.3, IEEE802.3u Flow control:IEEE802.3x flow control, backpressure flow control
Performance	
Switch Technology	Store and Forwarding Technology with non-blocking
Number of MAC Address	1K
Packet Buffer Memory	0.5 MB
Backplane bandwidth	1.2 Gbps
Forwarding rate	1488095 pps
Interface	
Ethernet Port	4 x 10/100/1000BaseT(x)RJ-45 , 1 x 1000Base FX, auto-MDI/MDI-X
System LED	2 x Power: Green On ; 1 x DO Alarm: Red on; 1 x Fiber Optic Indicator: Green On; 4 x PoE Indicator: Green On
Ethernet Port LED	Link (Green On), Active (Green Blinking)
Power Input	6-Pin Removable Terminal Connector
Power Requirement	
Input Voltage	48VDC(46~57)
Reverse Polarity Protect	Yes
Power Consumption	single POE network interface up to 30W, the total power consumption no more than 80W
Mechanical	
Enclosure Material	Metal
Dimension	150 mm x 47.6 mm x 100 mm (W x H x D)
Ingress Protection	IP40
Weight	830 g
Installation method	DIN Rail-mounted/wall-mounted
Environmental	
Operating Temperature & Humidity	-40°C ~ +75°C , 0%~95% Non- Condensing
Storage Temperature	-40°C ~ +85°C
MTBF	>2,000,000 hours
Warranty	5 years
Standard	
EMI	FCC Part 15 Subpart B class A, EN55022 class A
EMS	IEC(EN)61000-4-2(ESD) IEC(EN)61000-4-3(RS) IEC(EN)61000-4-4(EFT) IEC(EN)61000-4-5(Surge) IEC(EN)61000-4-6(CS) IEC(EN)61000-4-8 IEC 60068-2-27(Shock) IEC 60068-2-32(Freefall) IEC 60068-2-6(Vibration)

## Function interface



## Installation dimensions

