



216TX

Datasheet

Aiming to create better and safer working environments and life experiences through the products we deliver.



AVCOMM Technologies, Inc

www.avcomm.us

Email: info@avcomm.us

Phone: (713) 933-4534

Address: 333 West Loop North, Suite 460
Houston, TX 77024
United States

Reliable Plug and Play Industrial Ethernet Switch for Automation and Electrical OEM

216TX

Industrial Unmanaged Ethernet Switch

AVCOMM 216TX is a 16-port plug and play fast unmanaged Ethernet switch with reverse polarity protection of AC or DC input for automation and electrical OEM purpose. It has wide operation temperature range, high EMC performance to ensure stable work in harsh industrial environments and supports DIN Rail-mounted to facilitate in various industrial network applications. AVCOMM 216TX is suitable for industrial applications such as industrial automation, intelligent transportation, video surveillance, and electrical OEMs.



Features & Benefits

Fast Ethernet Switching

- Sixteen(16) 10/100BaseT(X) RJ-45 ports
- 8K MAC address table
- Store and forwarding with non-blocking technology

IEEE 802.3u EEE Power Management

- Ultra power consumption efficiency, 10W fully loaded
- Energy Efficient Ethernet for low power requirement
- Idle power saving mode for energy efficiency

Rugged Mechanical Design

- Robust design protects from mechanical deformation
- IP30 industrial rating to withstand harsh environments
- Wide operating temperature range -40°C ~ 75°C
- IEC61000-6-2/IEC61000-6-4 heavy industrial EMS

Power protection

- Provide overload protection
- Provide reverse connection protection
- Provide DC&AC power input

Ordering Information

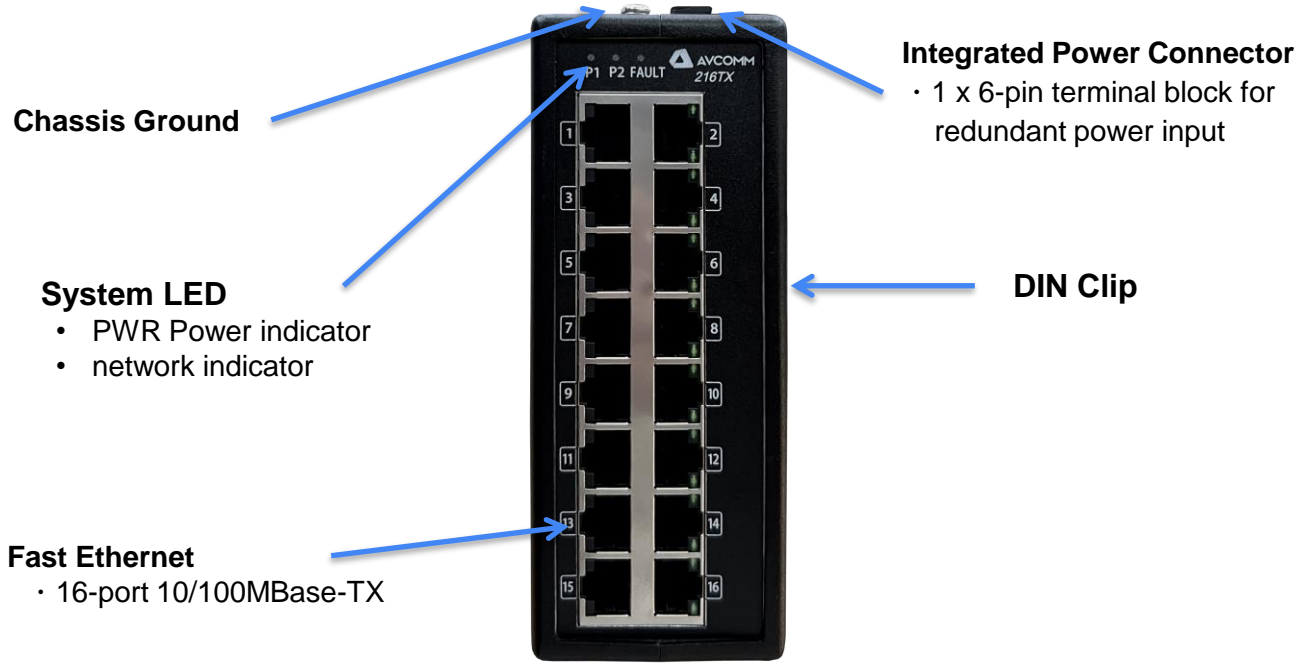
Model Name	Description
216TX	16-Port Industrial Unmanaged Ethernet Switch, 16 RJ45 10/100BaseT(X), DIN-Rail, Redundant 12/24/48VDC(10 to 60VDC)&24VAC(18 to 30VAC) power input, -40°C to +75°C

 Specifications

Technology	
Standard	IEEE 802.3 10Base-T Ethernet
	IEEE 802.3u 100Base-TX Fast Ethernet
Performance	
Switch Technology	Store and Forwarding Technology with non-blocking
Number of MAC Address	8K
Packet Buffer Memory	4 MB
Backplane bandwidth	8.8 Gbps
Maximum frame length	2 KB
Forwarding rate	148810pps
Interface	
Ethernet Port	16 x 10/100BaseT(x)RJ-45 , Auto Negotiation
System LED	PWR Power indicator, network indicator
Ethernet Port LED	Link (Green On), Active (Green Blinking)
Power Input	6-Pin Removable Terminal Connector
Power Requirement	
Input Voltage	12/24/48VDC (10~60VDC)&24VAC(18 to 30VAC)
Reverse Polarity Protect	Yes
Power Consumption	<10W
Mechanical	
Enclosure Material	Metal
Dimension	52 mm x 140 mm x 100 mm (W x H x D)
Ingress Protection	IP30
Weight	<1kg
Installation method	DIN Rail-mounted
Environmental	
Operating Temperature & Humidity	-40°C ~+75°C , 0%~95% Non- Condensing
Storage Temperature	-40°C ~+85°C
MTBF	>2,000,000 hours
Warranty	5 years
Standard	
EMI	FCC Part, CISPR(EN55022)class A
EMS	IEC(EN)61000-4-2(ESD) IEC(EN)61000-4-3(RS) IEC(EN)61000-4-4(EFT) IEC(EN)61000-4-5(Surge) IEC(EN)61000-4-6(CS) IEC(EN)61000-4-8 IEC 60068-2-27(Shock) IEC 60068-2-32(Freefall)

AVCOMM Technologies, Inc. All rights reserved. Trademarks and trade names that may be used in this document are owned by their respective companies. Specifications subject to change without notice. Please ask our sales for the most up-to-date product information. Avcomm Technologies Inc. Add: 333 West Loop North Ste. 460, Houston, TX 77024

Function interface



Installation dimensions

