



TAI-SAW TECHNOLOGY CO., LTD.

No. 3, Industrial 2nd Rd., Ping-Chen Industrial District,
Taoyuan, 324, Taiwan, R.O.C.

TEL: 886-3-4690038 FAX: 886-3-4697532

E-mail: tstsales@mail.taisaw.com Web: www.taisaw.com

Approval Sheet For Product Specification

Issued Date:

Product Name: SAW Filter 433.92MHz SMD3.8X3.8mm

TST Parts No.: TA0300A

Customer Parts No.: _____

Company: _____
Division: _____
Approved by : _____
Date: _____

Checked by: Jacky Huang

Approval by: Francis Chen

Date: 2003/9/16



TAI-SAW TECHNOLOGY CO., LTD.

No. 3, Industrial 2nd Rd., Ping-Chen Industrial District,
Taoyuan, 324, Taiwan, R.O.C.

TEL: 886-3-4690038 FAX: 886-3-4697532

E-mail: tstsales@mail.taisaw.com Web: www.taisaw.com

SAW Filter 433.92 MHz

MODEL NO.: TA0300A

REV. NO.:1

A. MAXIMUM RATING:

1. Input Power Level: 10 dBm
2. DC voltage: 12 V
3. Operating Temperature: -40°C to +85°C
4. Storage Temperature: -40°C to +85°C

RoHS Compliant
Lead free
Lead-free soldering

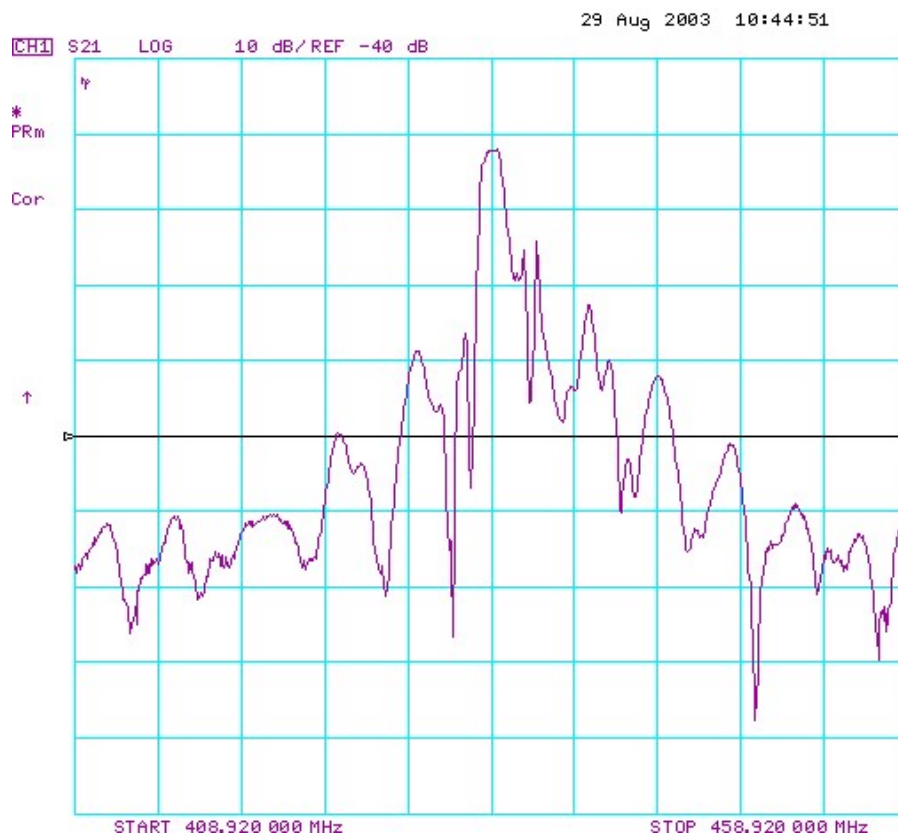
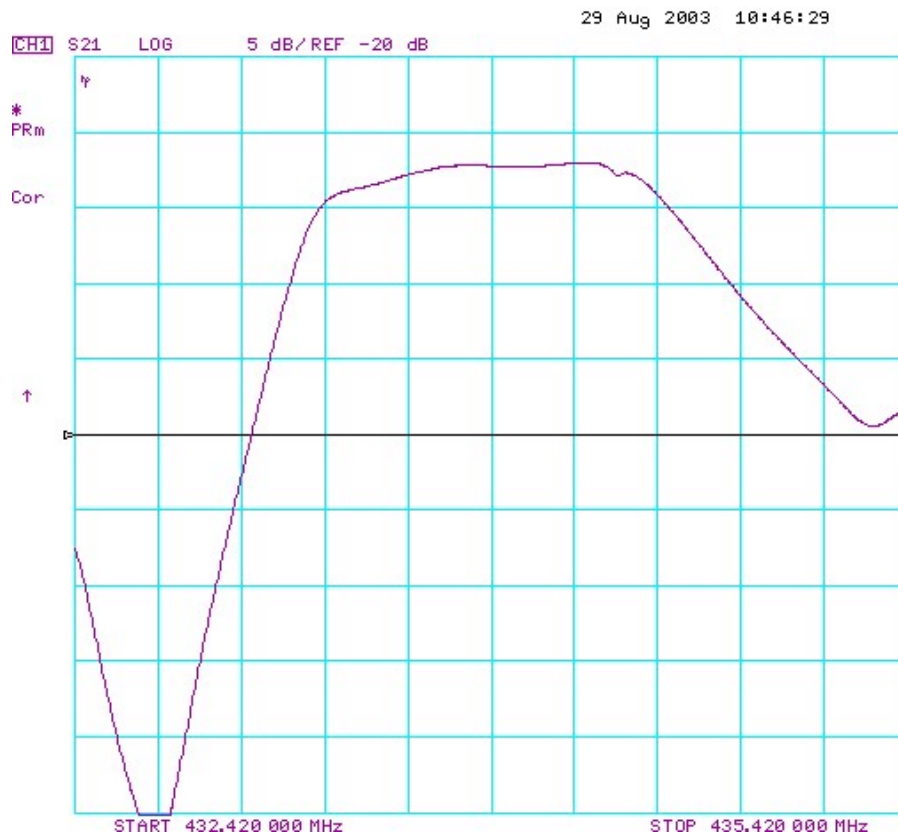
B. ELECTRICAL CHARACTERISTICS:

Reference temperature: TA = -40 to 85°C

Item	Min.	Typ.	Max.	Note
Center frequency F_C (MHz)	-	433.92	-	1
Minimum I.L. (dB) IL_{min}	-	2.2	3.0	
Pass band (relative to IL_{min}) 433.42~434.42 MHz (dB)	-	-	3.0	1
Pass bandwidth (relative to IL_{min}) BW_3 (KHz)	1000	1250	-	
Attenuation:(relative to IL_{min}) (dB)				
10~414 MHz (dB)	40	50	-	1
414~428 MHz (dB)	30	40	-	
428~432.42 MHz (dB)	15	20	-	
435.42~442 MHz (dB)	10	15	-	
442~550 MHz (dB)	25	30	-	
550~1000 MHz (dB)	45	50	-	
Impedance at F_C ; Input $Z_{IN}=R_{IN}/C_{IN}$ Output $Z_{OUT}=R_{OUT}/C_{OUT}$	279Ω // 4.1 pF 279Ω // 4.1 pF			
Turnover To (deg.C)				

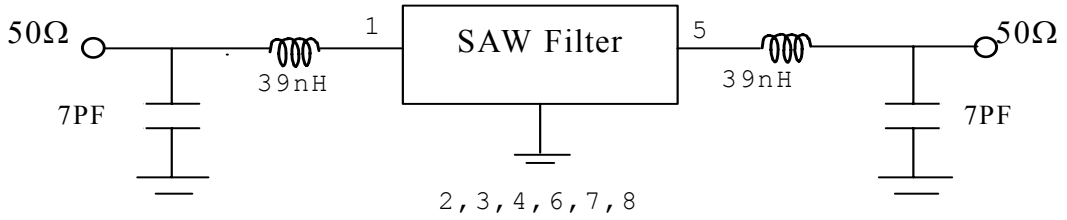
Note1. The standard definitions is in JIS C 6703

C. FREQUENCY CHARACTERISTICS:

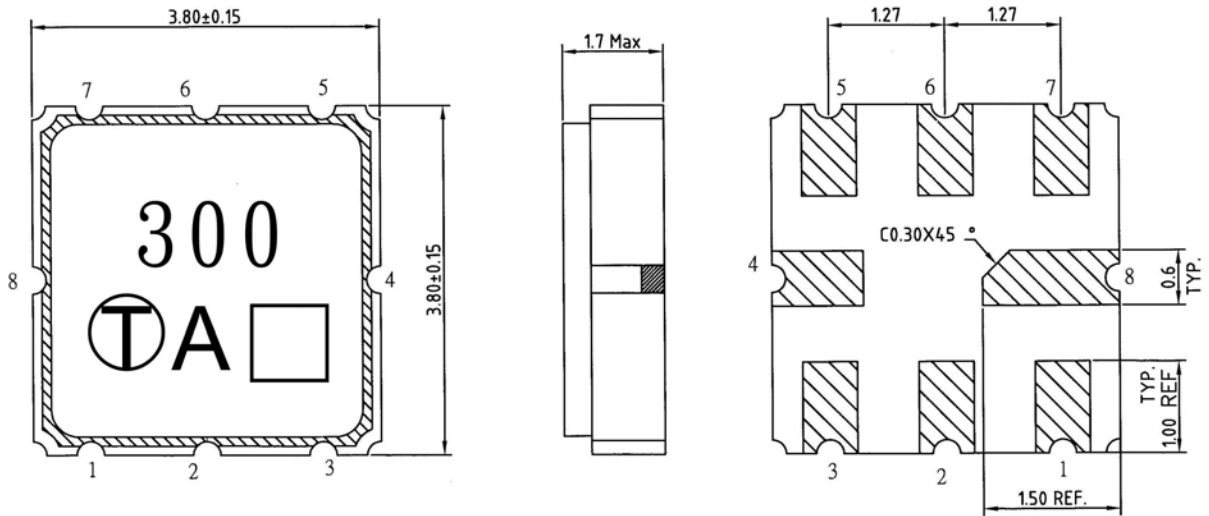


D. MEASUREMENT CIRCUIT:

HP Network analyzer



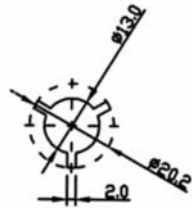
E. OUTLINE DRAWING:



- #1 : Input or Output
 - #5 : Output or Input
 - #4、8 : Case Ground
 - #2、3、6、7 : Ground
 - : Date code
- Unit : mm

F. PACKING:

1. REEL DIMENSION



2. TAPE DIMENSION

