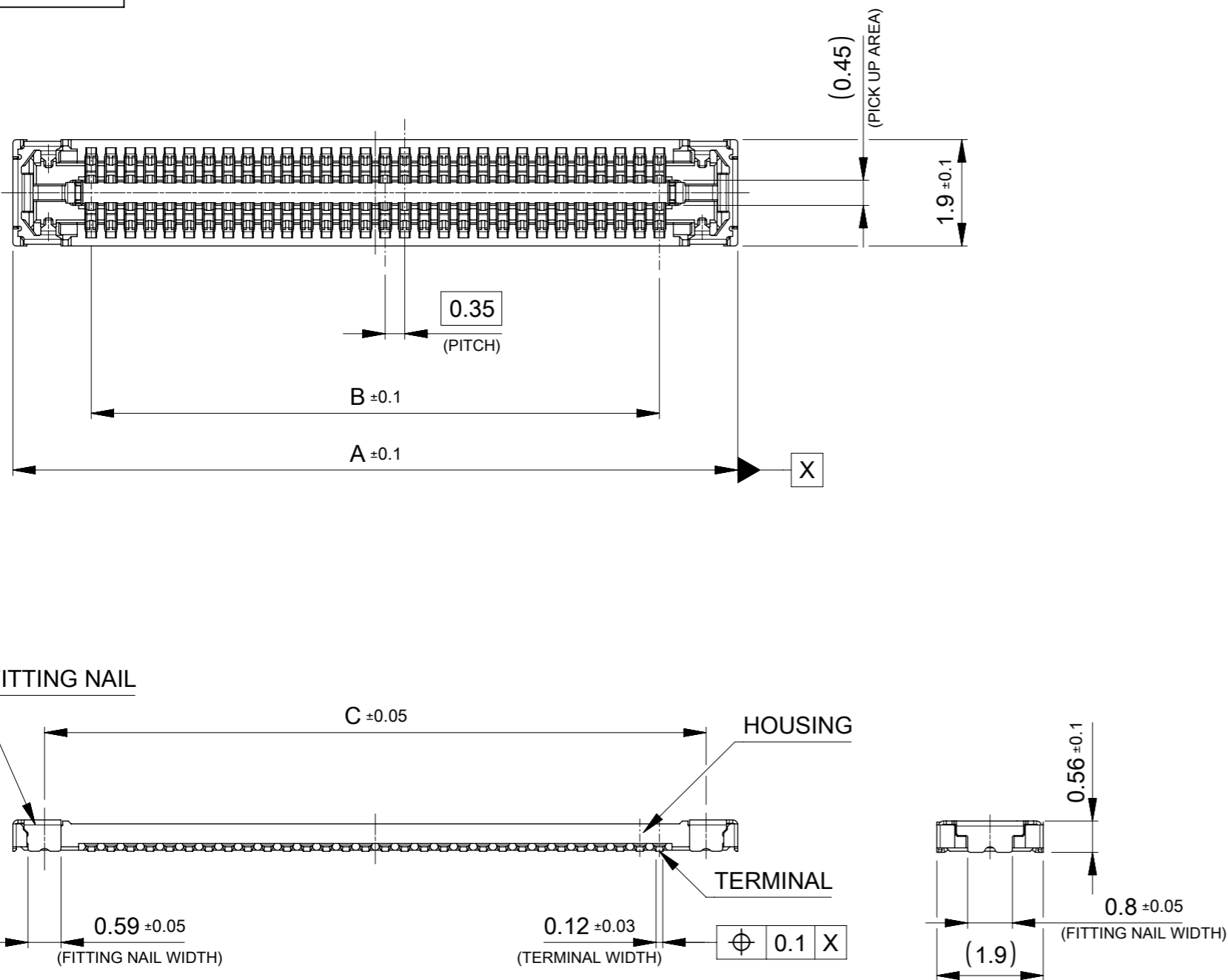


GENERAL DRAWING



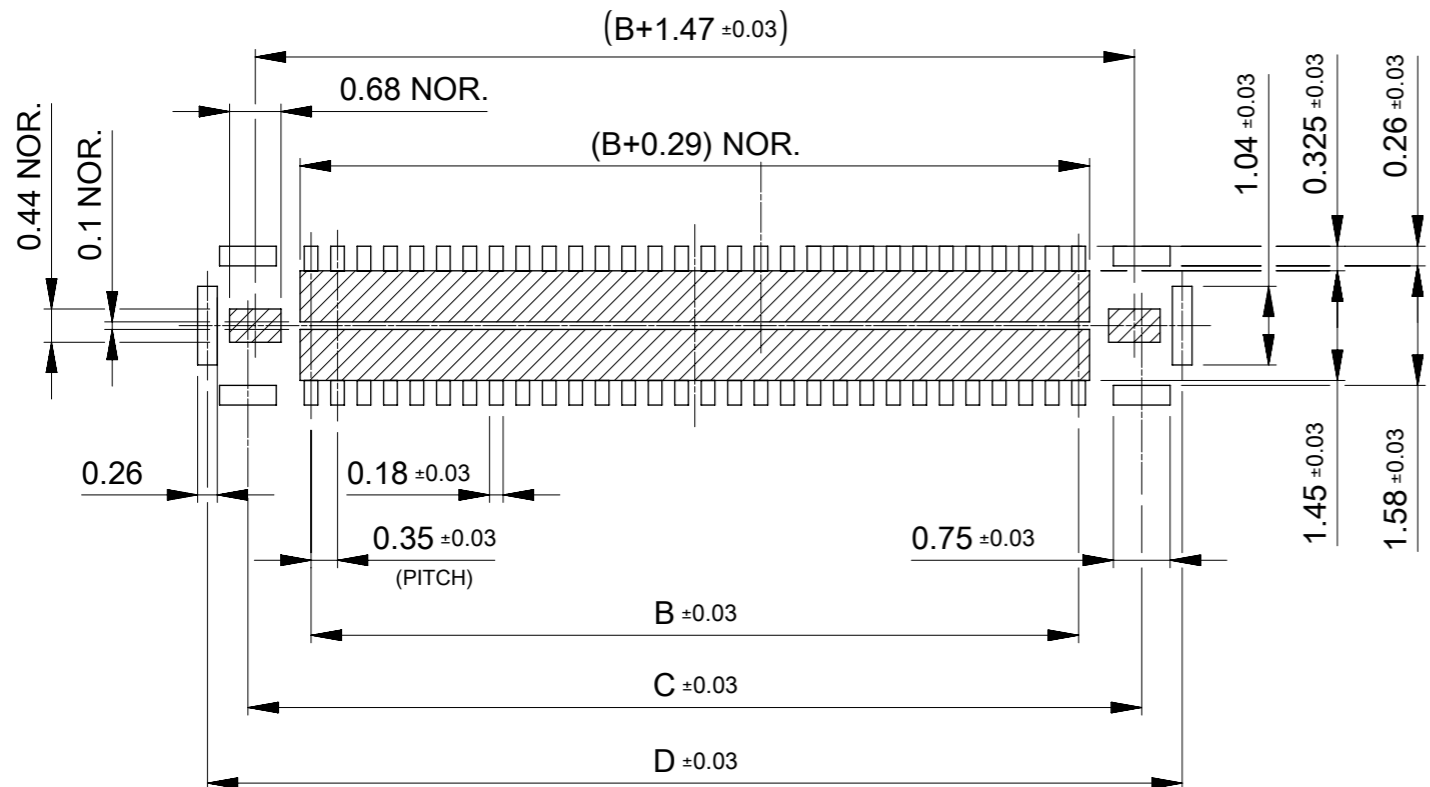
NOTES

- MATERIAL**  
 HOUSING : LIQUID CRYSTAL POLIMER UL94V-0 (COLOR : BLACK)  
 TERMINAL : COPPER ALLOY  
 FITTING NAIL : COPPER ALLOY
- PLATING**  
 TERMINAL :  
 CONTACT AREA : GOLD PLATING( $0.1\mu\text{m}$  MINIMUM)  
 SOLDER TAIL AREA : GOLD PLATING( $0.05\mu\text{m}$  MINIMUM)  
 UNDER PLATING : NICKEL OVERALL( $1.0\mu\text{m}$  MINIMUM)  
 \* DIVIED INTO PARTS THE GOLD PLATING OF THE CONTACT AND THE TAIL PART BY THE NICKEL PLATING.  
  
 FITTING NAIL :  
 CONTACT AREA : GOLD PLATING( $0.1\mu\text{m}$  MINIMUM)  
 SOLDER TAIL AREA : GOLD PLATING( $0.05\mu\text{m}$  MINIMUM)  
 UNDER PLATING : NICKEL OVERALL( $1.0\mu\text{m}$  MINIMUM)  
 \* DIVIED INTO PARTS THE GOLD PLATING OF THE CONTACT AND THE TAIL PART BY THE NICKEL PLATING.
- MATE WITH : 216701\*\*\*\***
- COPLANARITY** : SHALL BE 0.08MAX. ON BOTH OF TERMINAL AND NAIL.  
 AND 0.1 MAX AFTER REFLOW
- PROHIBITED AREA OF PATTERN WIRING AND SOLDER.**  
 (FOR EACH AREA, THE WIRING THAT TOUCHES ON THE SOLDER CAN BE ATTACHED, THEN COVERED WITH A FILM TO KEEP SOLDER OUT)


12.89	11.82	10.15	12.95	2167000609	---	O	60
11.84	10.77	9.10	11.90	2167000549	O	---	54
11.14	10.07	8.40	11.20	2167000509	O	---	50
9.39	8.32	6.65	9.45	2167000409	O	---	40
7.64	6.57	4.90	7.70	2167000309	---	O	30
6.59	5.52	3.85	6.65	2167000249	---	O	24
5.89	4.82	3.15	5.95	2167000209	O	---	20
4.14	3.07	1.40	4.20	2167000109	---	O	10

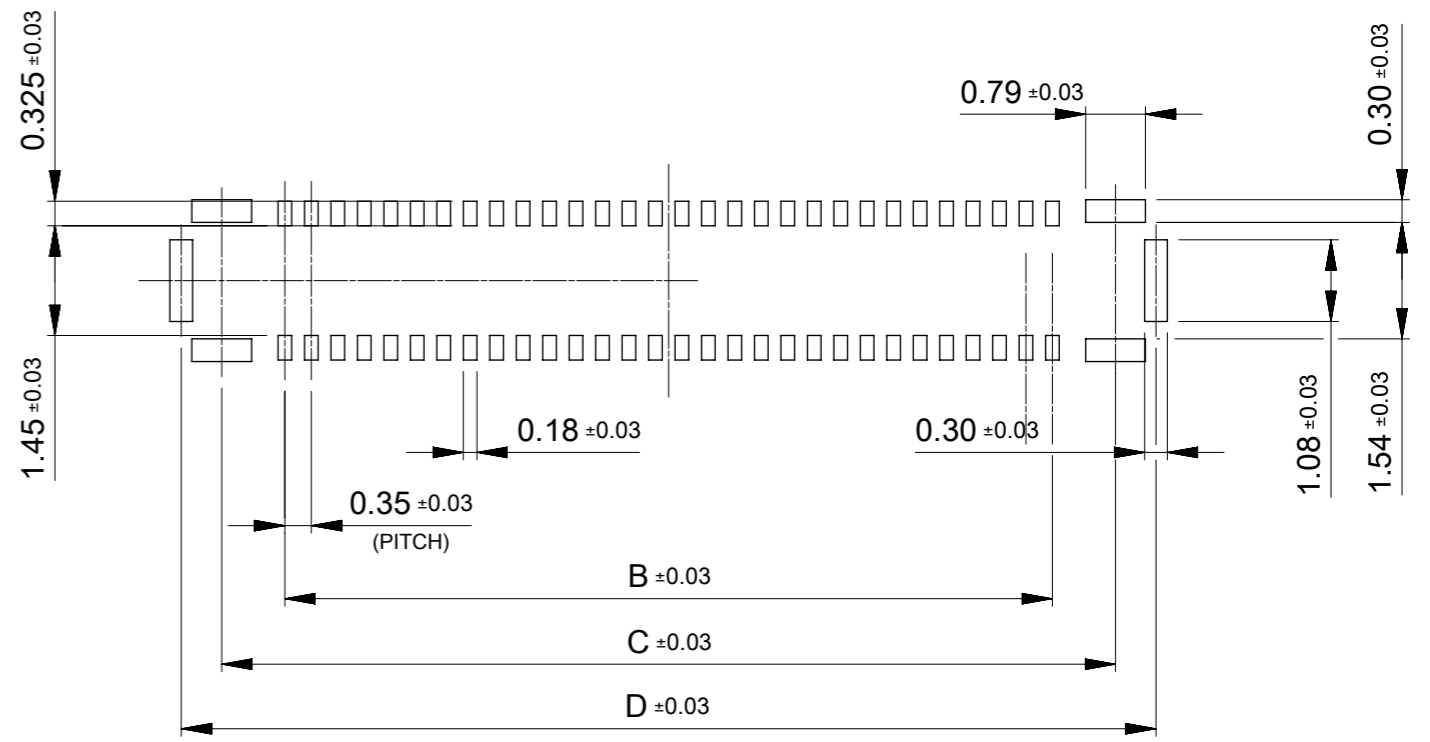
D	C	B	A	EMBOSSSED TAPE PACKAGE	HIGH VOL. TOOL	LOW VOL. TOOL	Ckts
				SAMPLE PREPARATION			
ORDER No.				O : TOOLED □ : WORK PROCESS --- : TOOLING TO BE CONFIRMED			
CONNECTOR SERIES No. : 216700****							

FUNCTIONAL SYMBOLS	THIS DRAWING CONTAINS INFORMATION THAT IS PROPRIETARY TO MOLEX ELECTRONIC TECHNOLOGIES, LLC AND SHOULD NOT BE USED WITHOUT WRITTEN PERMISSION		CURRENT REV DESC:		<b>molex</b>
	mm	10:1			
DIVISIONAL SYMBOLS	GENERAL TOLERANCES (UNLESS SPECIFIED)		EC NO: 746141		PRODUCT CUSTOMER DRAWING
	ANGULAR TOL $\pm 1.0^\circ$		DRWN: DWLEE02 2023/04/14		
4 PLACES $\pm 0.05$		CHK'D: JHCHANG 2023/04/14		DOCUMENT NUMBER	
3 PLACES $\pm 0.05$		APPR: JBJIN 2023/04/17		2167000000-SD	
2 PLACES $\pm 0.05$		INITIAL REVISION:		DOC TYPE DOC PART REVISION	
1 PLACE $\pm 0.1$		DRWN: JHCHANG 2023/04/13		PSD 002 A	
0 PLACES $\pm 0.2$		APPR: JBJIN 2023/04/17		SHEET NUMBER	
DRAFT WHERE APPLICABLE MUST REMAIN WITHIN DIMENSIONS		THIRD ANGLE PROJECTION	DRAWING	SERIES	MATERIAL NUMBER
			A3-SIZE	216700	SEE SHEET 1
					CUSTOMER
					GENERAL
					1 OF 2



**RECOMMENDED P.C.BOARD PATTERN LAYOUT**  
(FOR REFERENCE)

 SOLDER PROHIBITED AREA.  
WHEN WIRING IS LOCATED,  
THE WIRING MUST BE MASKED BY COVER LAY OR RESIST FILM.

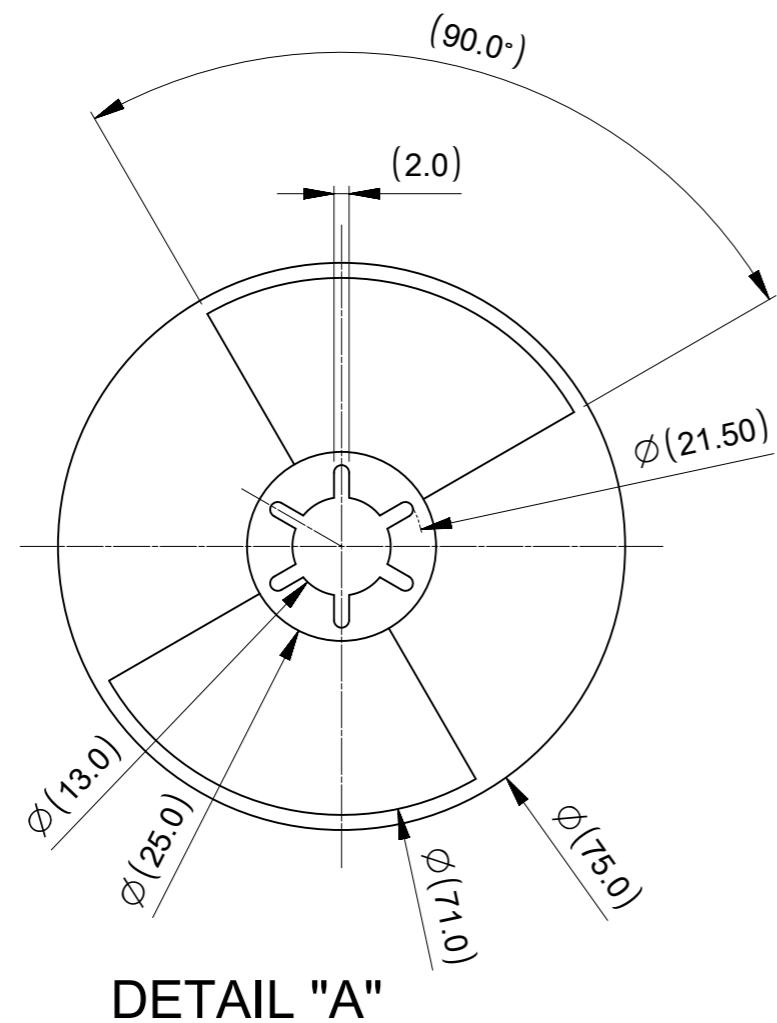
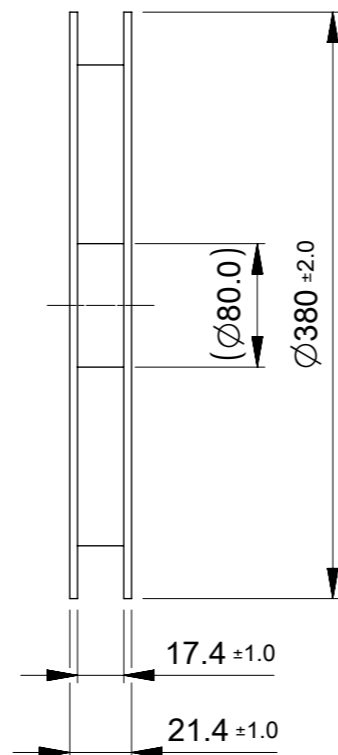
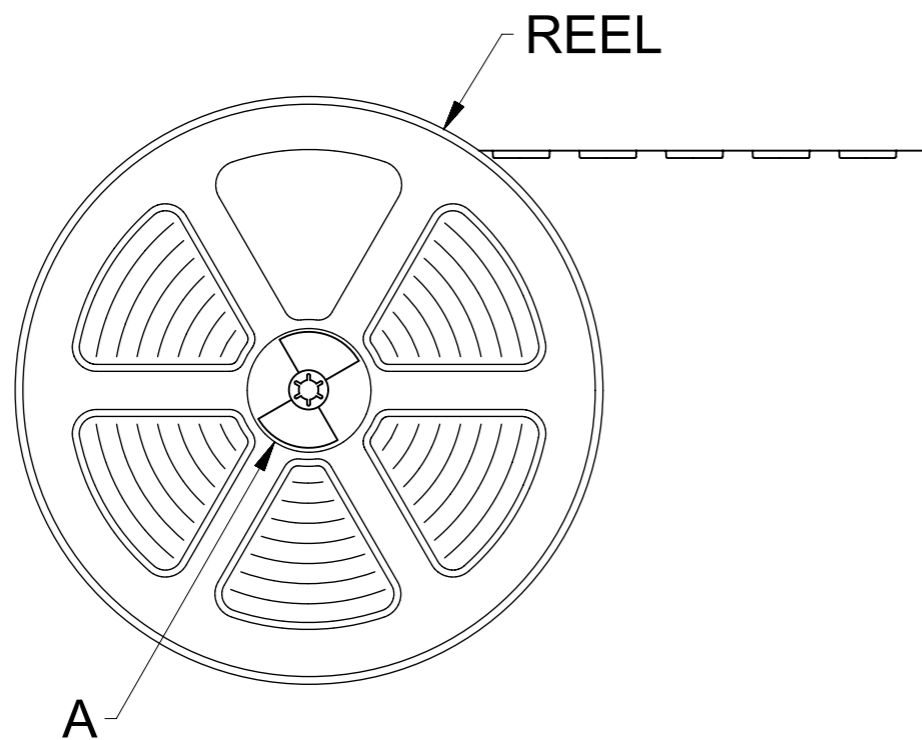


**RECOMMENDED METAL MASK LAYOUT**  
(FOR REFERENCE)

RECOMMENDED THICKNESS : 0.08mm  
RECOMMENDED APERTURE DIMENSION IS JUST SAME AS SHOWN FIGURE ABOVE.  
FOR THIS DIMENSION, APERTURE RATIO ARE SIGNAL TERMINAL 100% AND  
FITTING NAIL ALL 120%.

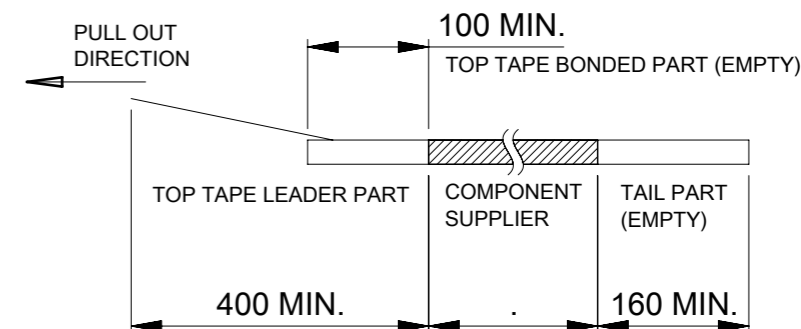
FUNCTIONAL SYMBOLS	THIS DRAWING CONTAINS INFORMATION THAT IS PROPRIETARY TO MOLEX ELECTRONIC TECHNOLOGIES, LLC AND SHOULD NOT BE USED WITHOUT WRITTEN PERMISSION		CURRENT REV DESC:		<b>molex</b>
	▽A = 0	mm	SCALE 10:1		
▽E = 0	GENERAL TOLERANCES (UNLESS SPECIFIED)				0.35 BB H=0.6 ACB6 PLUS REC ASSY
▽F = 0	ANGULAR TOL ± 1.0°				
DIVISIONAL SYMBOLS	4 PLACES	± 0.05	EC NO: 746141	2023/04/14	PRODUCT CUSTOMER DRAWING
	3 PLACES	± 0.05	DRWN: DWLEE02	2023/04/14	
	2 PLACES	± 0.05	CHK'D: JHCHANG	2023/04/17	DOCUMENT NUMBER: 2167000000-SD   DOC TYPE: PSD   DOC PART: 002   REVISION: A
	1 PLACE	± 0.1	APPR: JBJIN	2023/04/17	
	0 PLACES	± 0.2	INITIAL REVISION:		
DRAFT WHERE APPLICABLE MUST REMAIN WITHIN DIMENSIONS		THIRD ANGLE PROJECTION	DRAWING: A3-SIZE	SERIES: 216700	MATERIAL NUMBER: SEE SHEET1
			CUSTOMER: GENERAL		SHEET NUMBER: 2 OF 2

⇒ PULL OUT DIRECTION



NOTES

1. RE DETAILED DIMENSION, SEE PRODUCT DRAWING.
2. NUMBER OF CONNECTORS : 20,000PCS/REEL
3. LEAD TAPE LENGTH :



4. PEEL OFF FORCE OF THE TOP TAPE IS DEFINDED BY IEC 60286-3.
5. MATERIAL
  - CARRIER TAPE : POLYSTYRENE OR PET
  - TOP TAPE : PET, OTHER
  - REEL : POLYSTYRENE(PS) [RECYCLE MATERIAL CONTAINED]

FUNCTIONAL SYMBOLS	THIS DRAWING CONTAINS INFORMATION THAT IS PROPRIETARY TO MOLEX ELECTRONIC TECHNOLOGIES, LLC AND SHOULD NOT BE USED WITHOUT WRITTEN PERMISSION		CURRENT REV DESC:		<b>molex</b>
	∇A = 0	mm	SCALE 1:1		
DIVISIONAL SYMBOLS	GENERAL TOLERANCES (UNLESS SPECIFIED)		EC NO: 746141		0.35 BB H=0.6 ACB6 PLUS REC ASSY PKG
	∇E = 0	ANGULAR TOL ± 1.0°		DRWN: DWLEE02 2023/04/14	
DIVISIONAL SYMBOLS	∇F = 0	4 PLACES	± 0.05	CHK'D: JHCHANG 2023/04/14	PRODUCT CUSTOMER DRAWING
		3 PLACES	± 0.05	APPR: JBJIN 2023/04/17	
		2 PLACES	± 0.05	INITIAL REVISION:	DOCUMENT NUMBER
		1 PLACE	± 0.1	DRWN: JHCHANG 2023/04/13	2167000001-SD
	0 PLACES	± 0.2	APPR: JBJIN 2023/04/17	DOC TYPE DOC PART REVISION	
DRAFT WHERE APPLICABLE MUST REMAIN WITHIN DIMENSIONS		THIRD ANGLE PROJECTION	DRAWING	SERIES	MATERIAL NUMBER
			A3-SIZE	216700	SEE SHEET2
				CUSTOMER	GENERAL
					SHEET NUMBER
					1 OF 2

PULL OUT DIRECTION →

EMBOSS CARRIER TAPE

TOP TAPE

H ±0.10

0.30 ±0.05

(0.73)

(1.13)

SECTION A-A

0.73 ±0.05

2.10 ±0.05

SECTION C-C

∅ 1.55 ±0.05

4.00 ±0.10

2.00 ±0.10

1.75 ±0.10

G ±0.10

J ±0.10

13.08	11.50	24.00	2167000609	---	O	60
12.03			2167000549	O	---	54
11.33			2167000509	O	---	50
9.58	9.25	16.00	2167000409	O	---	40
7.83			2167000309	---	O	30
6.78			2167000249	---	O	24
6.08			2167000209	O	---	20
4.33			2167000109	---	O	10
H	J	G	EMBOSSED TAPE PACKAGE	HIGH VOL. TOOL	LOW VOL. TOOL	Ckts
			ORDER No.	SAMPLE PREPARATION		
				O : TOOLED □ : WORK PROCESS --- : TOOLING TO BE CONFIRMED		
CONNECTOR SERIES No. : 216700****						

FUNCTIONAL SYMBOLS	THIS DRAWING CONTAINS INFORMATION THAT IS PROPRIETARY TO MOLEX ELECTRONIC TECHNOLOGIES, LLC AND SHOULD NOT BE USED WITHOUT WRITTEN PERMISSION	CURRENT REV DESC:		<b>molex</b>
	DIMENSION UNITS: mm SCALE: 5:1 GENERAL TOLERANCES (UNLESS SPECIFIED): ANGULAR TOL ± 1.0° 4 PLACES ± 0.05 3 PLACES ± 0.05 2 PLACES ± 0.05 1 PLACE ± 0.1 0 PLACES ± 0.2	EC NO: 746141 DRWN: DWLEE02 CHK'D: JHCHANG APPR: JBJIN	2023/04/14 2023/04/14 2023/04/17	
DIVISIONAL SYMBOLS	DRAFT WHERE APPLICABLE MUST REMAIN WITHIN DIMENSIONS THIRD ANGLE PROJECTION DRAWING: A3-SIZE SERIES: 216700	INITIAL REVISION: DRWN: JHCHANG APPR: JBJIN	2023/04/13 2023/04/17	PRODUCT CUSTOMER DRAWING DOCUMENT NUMBER: 2167000001-SD DOC TYPE: PSD DOC PART: 001 REVISION: A
		MATERIAL NUMBER: SEE SHEET2	CUSTOMER: GENERAL	SHEET NUMBER: 2 OF 2