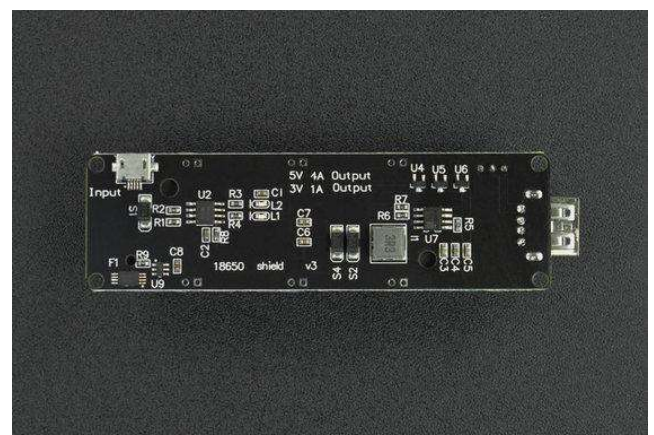
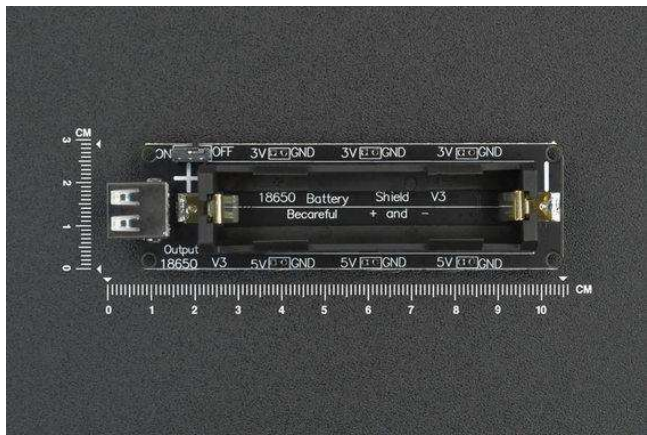
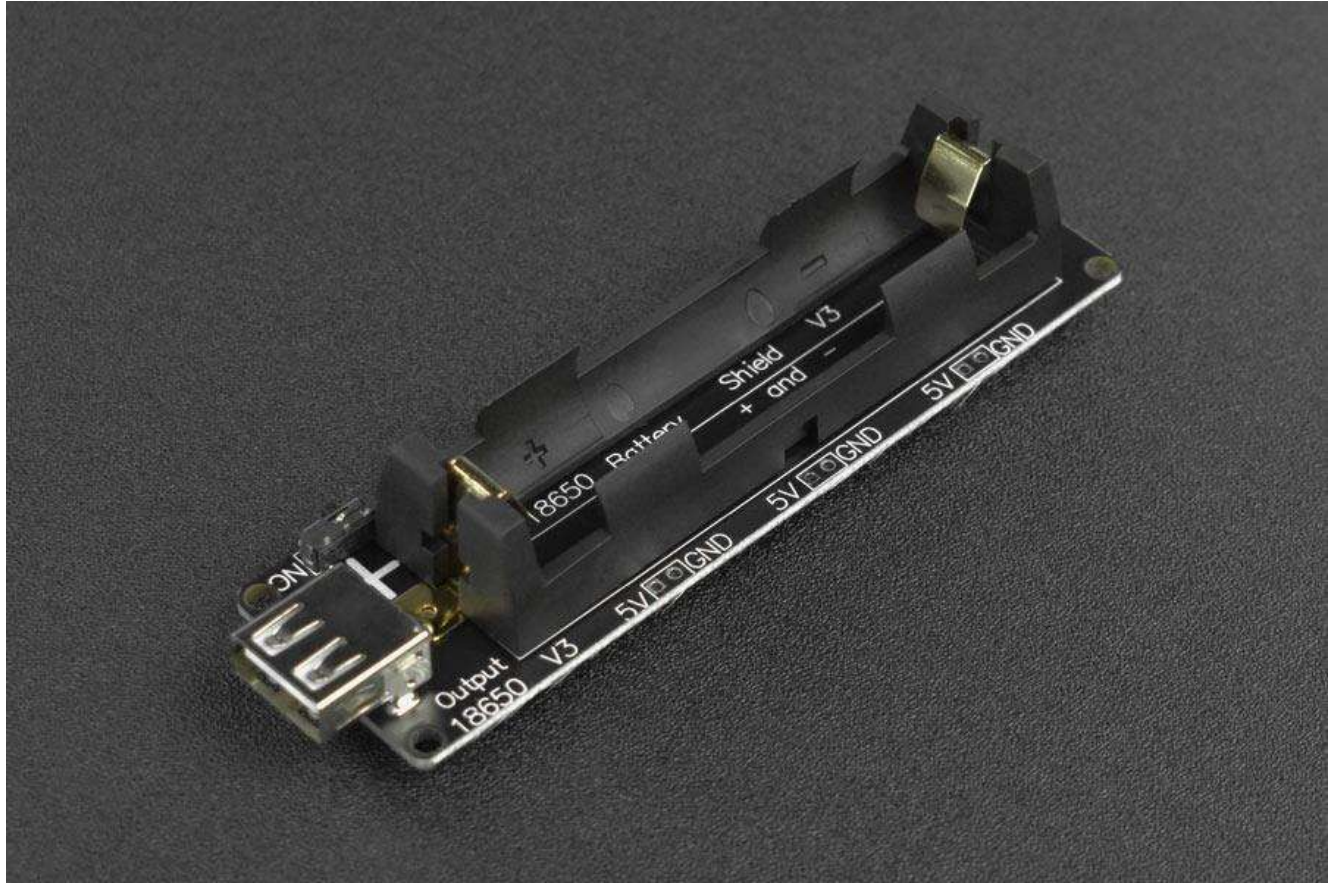




**DFROBOT**  
DRIVE THE FUTURE

# 1-Way 18650 Battery Holder

SKU: DFR0968



# INTRODUCTION

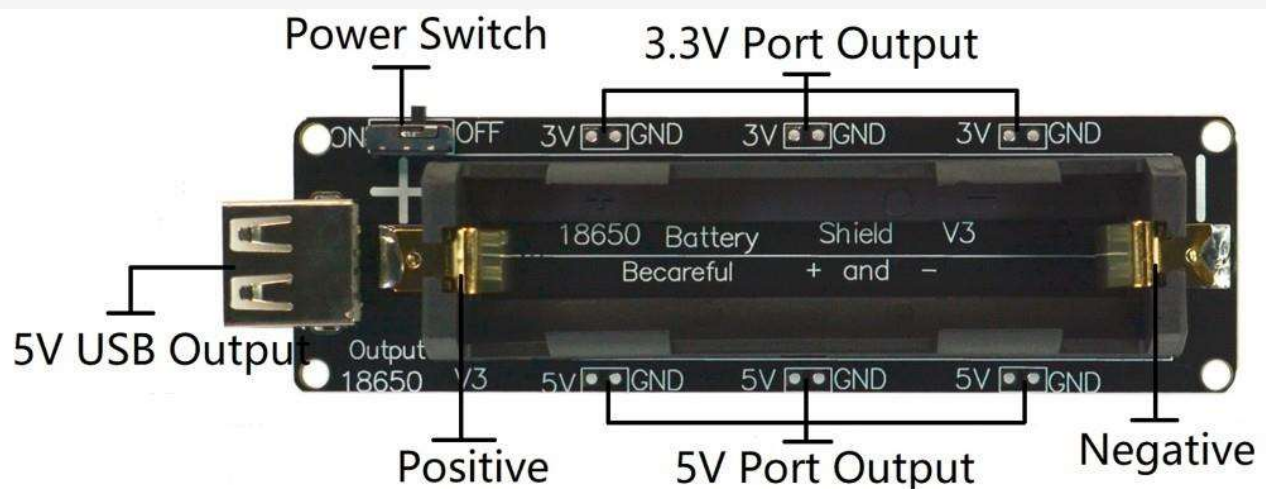
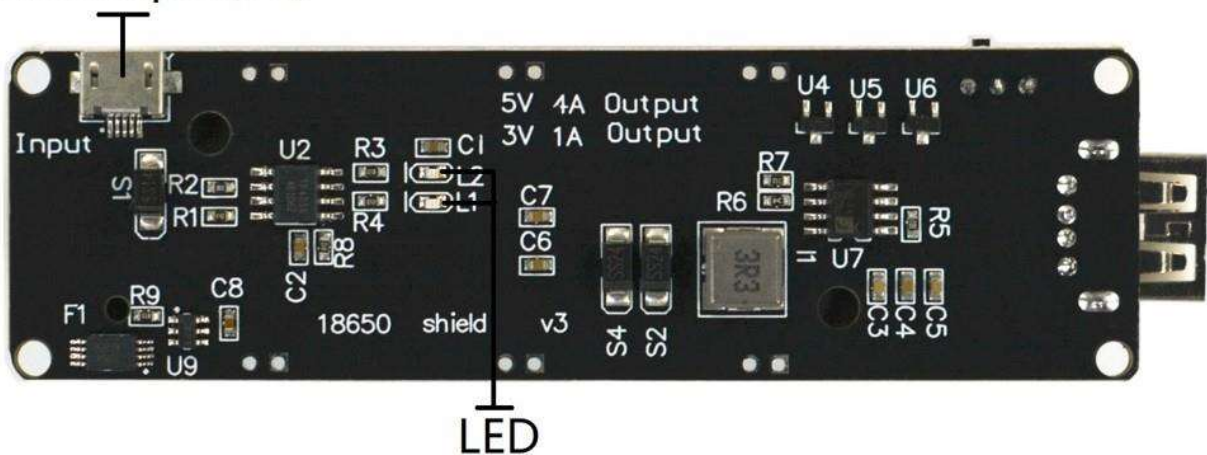
This easy-to-use 18650 Battery Holder with 1-Slot offers micro-USB input, and it can be installed with a 18650 battery, one 5V/2A USB output, three 5V/2A ports output, and three 3.3V/1A ports output.

It comes with overcharge and over-discharge protection that greatly extends the lifespan of your 18650 battery. There is a power switch for controlling output.

This battery holder can be worked as the power source for microdevices, outdoor equipment, or DIY smart vehicles.

## Board Overview

### MicroInput(5V)



The input is Micro USB, the output has USB and port output. The power switch controls whether to output. The LED lights up red means in charging, and green means it is fully charged.

## Notes

The maximum current is 3A (3A is not recommended), and the output of the current depends on the quality of the 18650 battery.

Pay attention to battery polarity when installing. The + and - are clearly marked on the board, and the wrong direction will burn the module.

## FEATURES

- With overcharge and over-discharge protections

## APPLICATIONS

- Power source for microdevices, outdoor equipment, and DIY smart vehicles

## SPECIFICATION

- Output Current: 5V/2A, maximum support 3A; 3.3V/1A
- Protection: with overcharge and over-discharge protection
- Input: Micro input
- Output: USB output\*1, 3.3V output port\*3, 5V output port\*3
- LED indicator (green for fully charged, red for charging)

## SHIPPING LIST

- 1-Way 18650 Battery Holder x1