

WJ331-5.0
PCB SCREW TERMINAL BLOCK



PCB terminal block
Rated current: 12 A
Rated voltage: 300 V
Wire range: 28-14 AWG
Pitch: 5.0 mm



UL/CUL

Use Group	B	C	D
Rate Voltage [V]	300	-	300
Rated Current [A]	12	-	10
Wire Range [AWG]	28~14		
Dielectric Voltage-Withstand	1.6KV		

IEC

Overvoltage Category	III	III	II
Contamination Class	3	2	2
Rated Voltage [V]	250	320	400
Rated Current [A]	12	12	12
Impulse withstand voltage [KV]	4	4	4
Conductor cross section[solid/flexible] [mm ²]	0.5~1.5		

Material

Insulation Material	PA66
---------------------	------

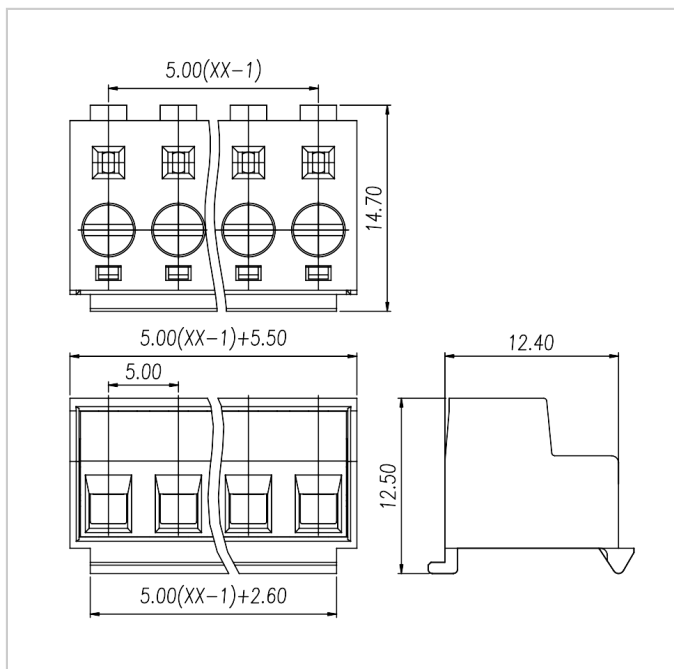
WJ331-5.0
PCB SCREW TERMINAL BLOCK

Flame retardant rating	UL94V-0
Conductor Material	Copper alloy
Plating of conductor surface	Sn plated

Other Data

Pitch/Poles [mm]/[P]	5.0/2~24
Stripping Length [mm]	5~6
Screw/Torque(Max)[N.m]	
Operating temperature [°C]	-40~+105
Soldering temperature	/
Pin dimensions [mm]	/
PCB Hole Diameter [mm]	/

Dimensions



Accessories