




SPECIFICATION SHEET

| | |
|--------------------------------|---|
| SPECIFICATION SHEET NO. | Q0501-CM10M00000S030 |
| DATE | May 01, 2023 |
| REVISION | A0 |
| DESCRIPTION | SMD Ceramic Resonator, 3731 Type, L3.7*W3.1*H1.5mm, Built-in Capacitance, 3 pads, CRTV Series 10.000MHz, Frequency Accuracy +/-0.5%, Operating Temp. Range -25°C ~+85°C, Reflow Profile Condition 260 °C Max. RoHS/RoHS III compliant, Tape/Reel |
| CUSTOMER | |
| CUSTOMER PART NUMBER | |
| CROSS REF. PART NUMBER | |
| ORIGINAL PART NUMBER | TGS CRTV 10.0MT-30 TLF |
| PART CODE | CM10M00000S030 |

| | | | |
|-------------------------|---|--|---|
| VENDOR APPROVE | | | |
| Issued/Checked/Approved |  |  |  |
| DATE: May 01, 2023 | | | |

| | |
|-------------------------|--|
| CUSTOMER APPROVE | |
| | |
| DATE: | |

5/4/2023

SMD CERAMIC RESONATOR CRTV SERIES

MAIN FEATURE

- SMD Ceramic Resonator, L3.7*W3.1*H1.5mm, 3 pads
- Low cost & Built-in Capacitance
- Reflow Profile Condition 260 °C Max.
- Wide Frequency Range
- Cross more competitors part
- RoHS III compliant



APPLICATION

- Bluetooth, wireless communication set
- Communication Electronics

PART CODE GUIDE

RFQ
Request For Quotation

| CM | 10M00000 | S | 030 |
|----|----------|---|-----|
| 1 | 2 | 3 | 4 |

1) CM: Part Code for SMD Ceramic Resonator, Built-in Capacitance, L3.7*W3.1*H1.5mm, 3 pads, CRTV series

2) 10M00000: Frequency range code for 10.00000MHz

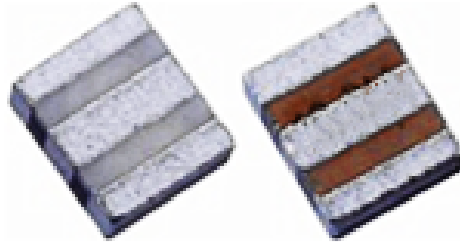
3) S: SMD type, Package Tape/Reel, 1000pcs/Reel

4) 030: Specification code for original part No.: **TGS CRTV 10.0MT-30 TLF**

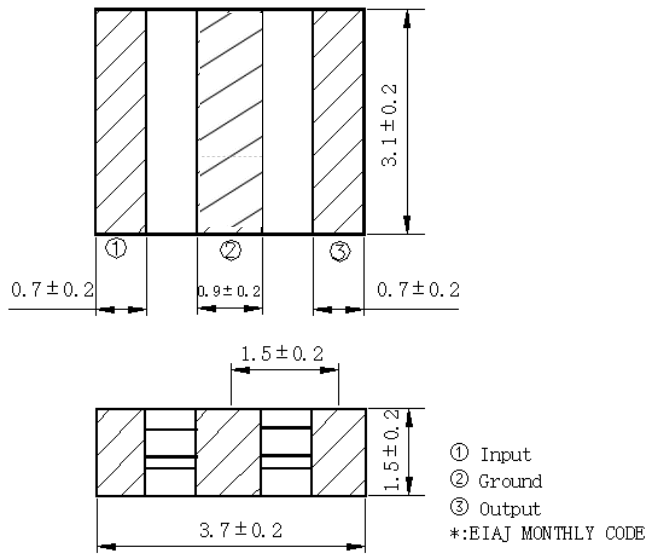
SMD CERAMIC RESONATOR CRTV SERIES

DIMENSION (Unit: mm)

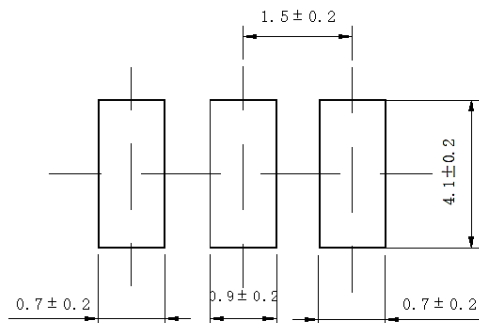
Image for reference



CRTV



Recommend Pad Layout



SMD CERAMIC RESONATOR CRTV SERIES
ELECTRICAL PARAMETERS

| Parameter | Part No. Symbol | Units | Value | | | Condition |
|--|-------------------------|---|--------------------|---------|---|-------------|
| | | | Min. | Typical | Max. | |
| Original Manufacturer | TGS | TGS Crystals | | | | |
| Holder Type | CRTV | SMD Ceramic Resonator, L3.7*W3.1*H1.3mm, 3 pads | | | | |
| Frequency Range | 10.0 | MHz | 10.0 | | | |
| Withstanding Voltage | MT | V | 50 | | | @DC, 1 min |
| Insulation Resistance | | MΩ | 500 | | | @AV, 1 min. |
| Operation Temperature | | °C | -25 | | +85 | |
| Storage Temperature | | °C | -55 | | +85 | |
| Rating Voltage | | V | 6 | | | DC |
| | | | 15 | | | p-p |
| Frequency Accuracy | | % | 0.5 | | | |
| Resonant Impedance | | Ω | | | 40 | |
| Temperature Coefficient of Oscillation Frequency | % | | | +/-0.3 | Oscillation Frequency drift, -25°C ~ +85°C) | |
| Oscillation Frequency Aging Rate (10 years) | % | | | +/-0.3 | From initial value | |
| IC application | | 1/6TC74HCU04Px2 | | | | |
| Design Mode | | | | | | |
| Built-in Capacitance | -30 | pF | 30pF (+/-20%) | | | |
| Other | Package | T | Tape/Reel | | | |
| | RoHS Status | LF | RoHS III compliant | | | |
| | Add Value | | N/A | | | |
| | Internal Control Code * | | N/A | | | |

Note: 1) Original Part Number: **TGS CRTV 10.0MT-30 TLF**

2) * Internal Control Code- 2 letter or digits; Blank: N/A

SMD CERAMIC RESONATOR CRTV SERIES
RELIABILITY

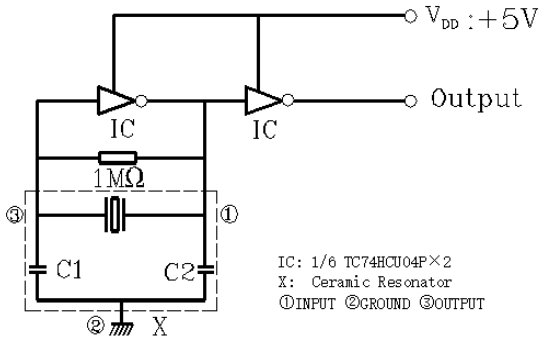
| Test Items | Test Method And Conditions | Performance Requirements |
|----------------------------------|--|--|
| Humidity | Keep the resonator at 40°C±2°C and 90%-95% RH for 96h. Then Release the resonator into the room Condition for 1h prior to the Measurement. | It shall fulfill the specifications in Table 1. |
| High Temperature Exposure | Subject the resonator to -85°C±2°C for 96h, then release the resonator into the room conditions for 1h prior to the measurement. | It shall fulfill the specifications in Table 1. |
| Low Temperature Exposure | Subject the resonator to -55°C±2°C for 96h, then release the resonator into the room conditions for 1h prior to the measurement. | It shall fulfill the specifications in Table 1. |
| Temperature Cycling | After temperature cycling of blow table was performed 5 times, resonator shall be measured after being placed in natural conditions for 1h. Time: 30 min.@ -25 +/-3°C ; Time: 30 min. @85 +/-3°C | It shall fulfill the specifications in Table 1. |
| Vibration | Subject the resonator to vibration for 2h each in x, y and z axis With the amplitude of 1.5mm, the frequency shall be varied uniformly between the limits of 10 Hz—55Hz. | It shall fulfill the specifications in Table 1. |
| Mechanical Shock | Drop the resonator randomly onto a wooden floor from the height of 100cm 3 times. | It shall fulfill the specifications in Table 1. |
| Soldering Test | Passed through the re-flow oven under the following condition and left at room temperature for 1h before measurement | It shall fulfill the specifications in Table 1. |
| Solder Ability | Dipped in 245°C±5°C solder bath for 3s±0.5 s with rosin flux (25wt% ethanol solution.) | The terminals shall be at least 95% covered by solder. |
| Board Bending | Mount a glass-epoxy board (Width=40mm,thickness=1.6mm),then bend it to 1mm displacement and keep it for 5s. (See the following figure 1) | Mechanical damage such as breaks shall not occur. |

Table 1

| Item | Specification after test |
|---|--------------------------|
| Oscillation Frequency Change $\Delta F_{osc}/F_{osc}$ (%) max | ±0.3 |
| Resonant Impedance (Ω) max | 40 |
| The limits in the above table are referenced to the initial measurements. | |

SMD CERAMIC RESONATOR CRTV SERIES

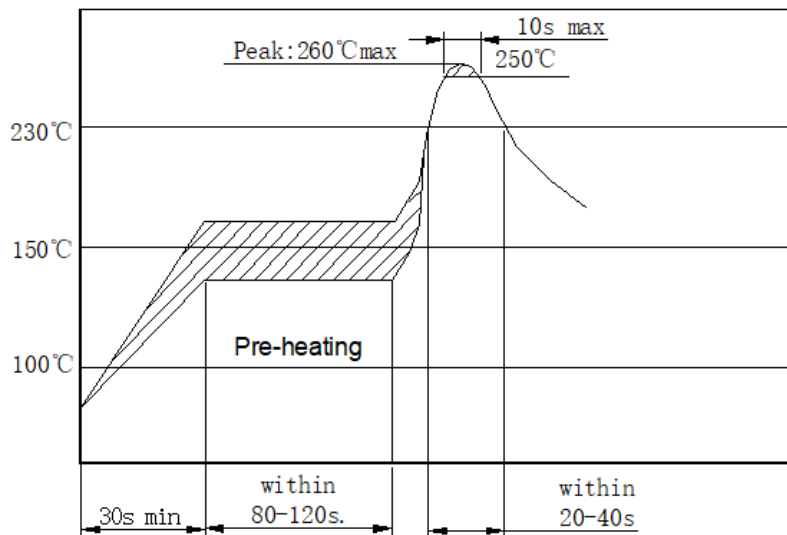
TEST CIRCUIT (For Reference Only)



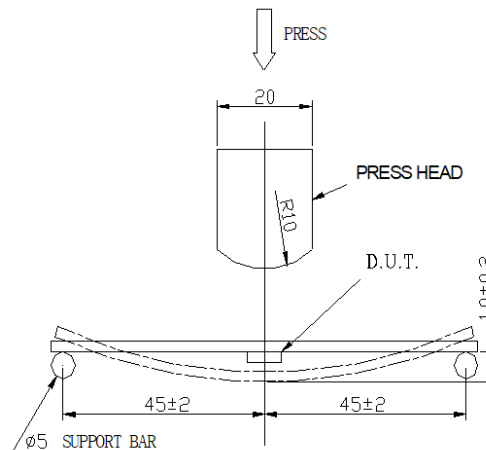
Note:

Parts shall be tested under the condition
 (Temp.: $20 \pm 15^\circ C$, Humidity $65 \pm 20\%$ R.H.) unless the
 standard condition (Temp.: $25 \pm 3^\circ C$, Humidity
 : $65 \pm 10\%$ R.H.) is regulated to measure.

SUGGESTED REFLOW PROFILE (For Reference Only)



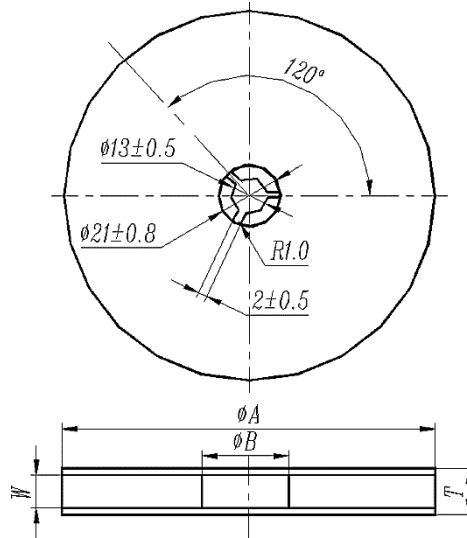
BOARD BENDING TEST- FIGURE 1



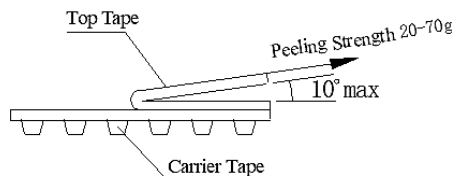
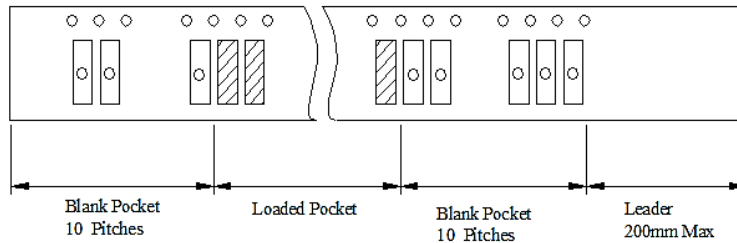
SMD CERAMIC RESONATOR CRTV SERIES

TAPE/REEL (Unit: mm)

All Devices are packed in accordance with EIA standard RS-481-2 and specifications., 1000pcs/Reel



| Symbol | Dimension |
|----------|---------------|
| ϕA | 180 \pm 3.0 |
| ϕB | 60.0 Min. |
| W | 12.4 Min. |
| T | 19.4 Max. |



DISCLAIMER

NextGen Components, Inc. reserves the right to make changes to the product(s) and or information contained herein without notice. No liability is assumed as a result of their use or application. No rights under any patent accompany the sale of any such product(s) or information

5/4/2023