



ISL Products International

**ø30mm Planetary Gear Motor
Carbon - Brushed
MOT-I-81585**

Online ID#: **PGM-30-24-100-74-04-LW**

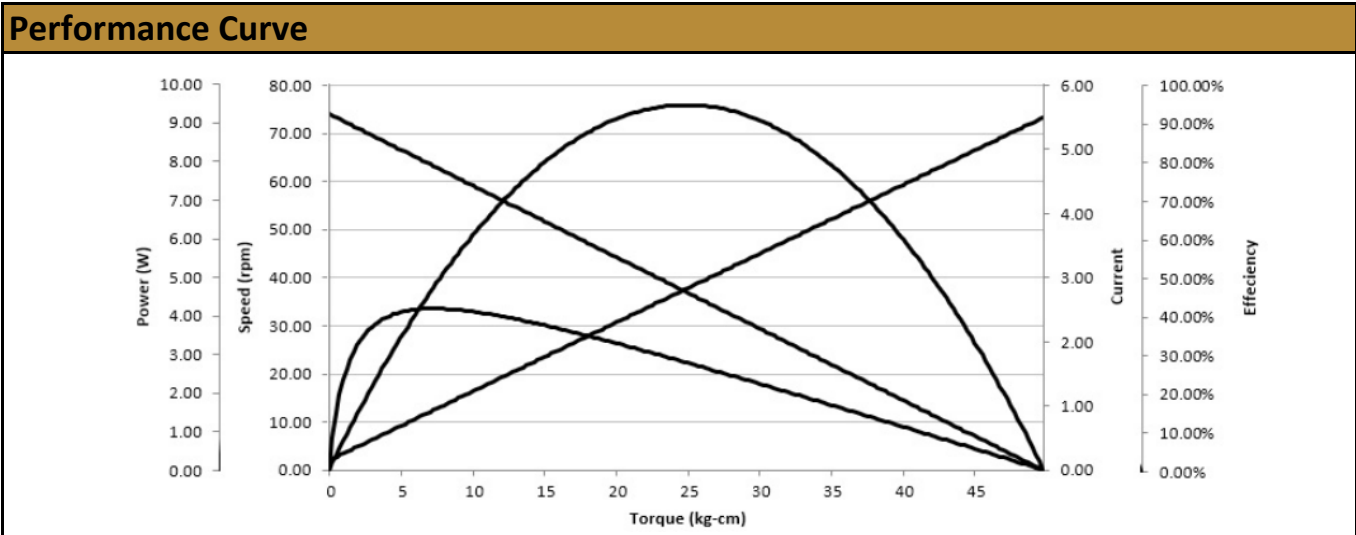
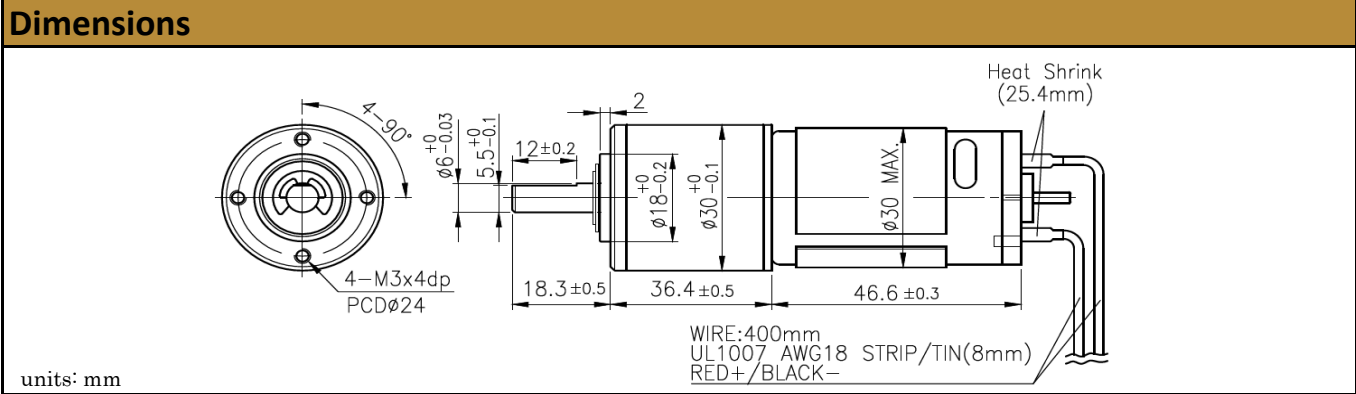
Our Planetary Gear Motors are an inline solution providing excellent torque output at various speeds. They are equipped to handle varying loads and are best for intermittent duty operation. With endless performance combinations, we have a fully tailored gear motor solution for you.



Contact Us for alternative solutions!

Specifications			
Gearhead Type:	Planetary	No-Load Speed:	74 rpm (+/- 10%)
Motor Type:	Carbon - Brushed	No-Load Current:	< 325 mA
Rated Voltage:	24V DC	Stall Torque:	* 50 kg.cm
Rated Speed:	63 rpm	Max. Power:	10 W
Rated Torque:	7 kg.cm	Reduction Ratio:	100:1
Rated Current:	1 A	Termination Style:	Lead Wires (18AWG)

* Gearbox limitations are set at 25 kg.cm, operating past this torque limit may create premature failure.



© 2023 ISL Products International Ltd. Specifications subject to change without notice.

