

XC8110AA010R Evaluation Board User Manual

6Vmax, 500mA Load switch IC with ideal diode function

CAUTION

ENGINEERING EVALUATION PURPOSES ONLY

This evaluation board is made for the purpose of the product evaluation. It is strictly prohibited to use this evaluation board for any other purpose.

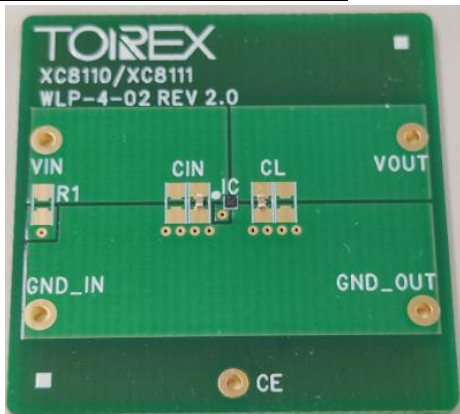
Torex Semiconductor does not guarantee that all samples will perform in exactly the same way and we recommend that you always consult our product data sheets for the minimum and maximum specifications.

It is also important that you evaluate all our products carefully before mass

XC8110AA010R Evaluation Board

6Vmax, 500mA Load switch IC with ideal diode function

Evaluation Board Picture



Evaluation Board SPEC

PARAMETER		SYMBOL	MIN.	TYP.	MAX.	UNITS
Input Voltage	Applied voltage to V _{OUT} : 0V ~ 1.5V	V _{IN}	1.5	-	6.0	V
	Applied voltage to V _{OUT} : 1.5V ~ 6.0V		0.0	-	6.0	
Output Voltage	Applied voltage to V _{IN} : 0V ~ 1.5V	V _{OUT}	1.5	-	6.0	V
	Applied voltage to V _{IN} : 1.5V ~ 6.0V		0.0	-	6.0	
Output Current (Ta=25°C)	1.5V ≤ V _{IN} ≤ 1.7V	I _{OUT}	-	-	300	mA
	1.7V < V _{IN} ≤ 6.0V		-	-	500	mA

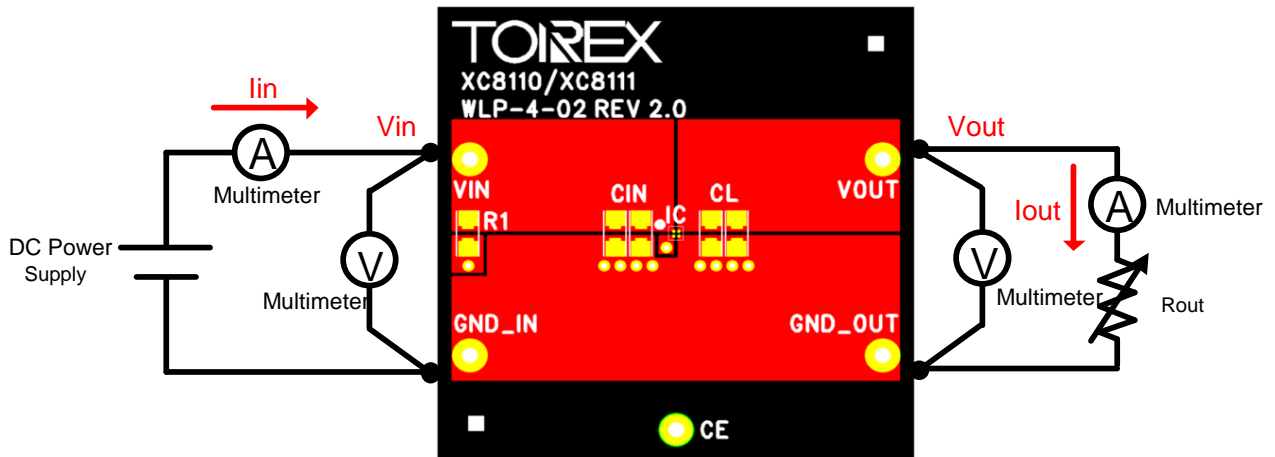
XC8110/XC8110 Series Features

- Input Voltage Range 1.5V ~ 6.0V
- Max Output Current 500mA
- Ideal Diode function
 - Forward Voltage 20mV
 - Quiescent Current 3.6μA
 - Stand-by Current 0.65μA
- ORing connection available
- Built-in protection function (Over Current, Thermal Shutdown)

XC8110AA010R Evaluation Board

6Vmax, 500mA Load switch IC with ideal diode function

Quick Start Procedure

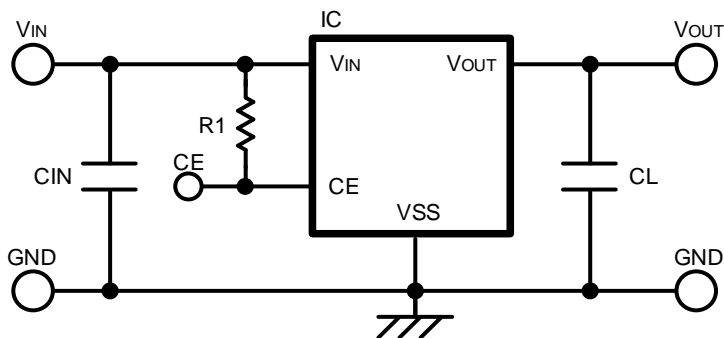


Active : CE="H" (1.2V~6.0V)
 Stand-by : CE="L" (0V~0.3V)

XC8110AA010R Evaluation Board

6Vmax, 500mA Load switch IC with ideal diode function

Schematic



BOM

Required Circuit Component

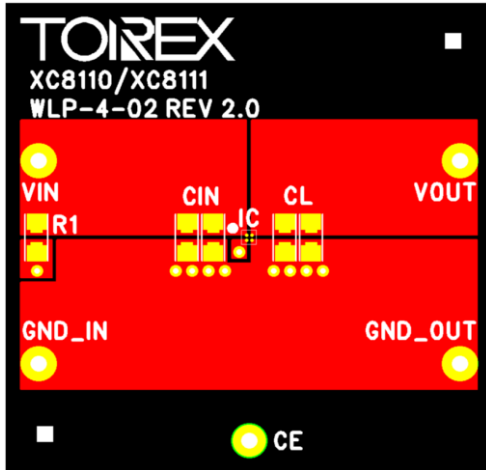
Item	Value	Description	Size [mm]	Part Number	Manufacture
IC	-	Load switch IC with ideal diode	WLP-4-02	XC8110AA010R-G	TOREX
CIN	0.1uF	Ceramic cap., 50V	1005	CGA2B3X7R1H104K	TDK
CL	0.1uF	Ceramic cap., 50V	1005	CGA2B3X7R1H104K	TDK
R1	-	-	-	-	-

XC8110AA010R Evaluation Board

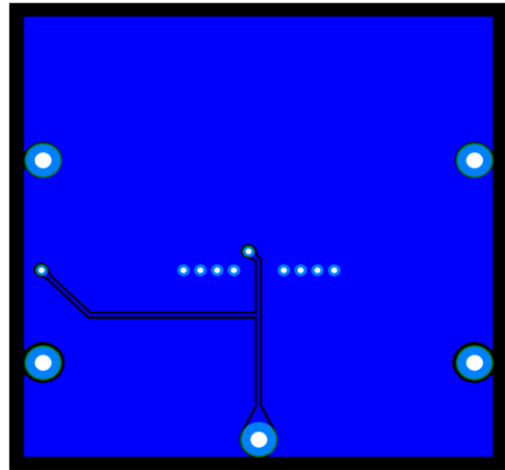
6Vmax, 500mA Load switch IC with ideal diode function

PCB Layout

Layer 1



Layer 2

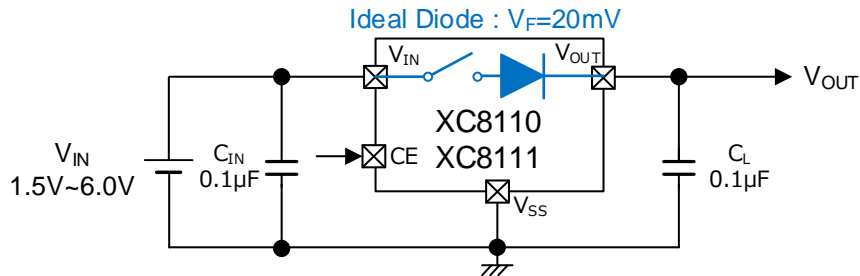


XC8110AA010R Evaluation Board

6Vmax, 500mA Load switch IC with ideal diode function

【Appendix】 Typical Application Circuit

Diode / substitute for load switch



OR circuit: backup circuit, etc.

