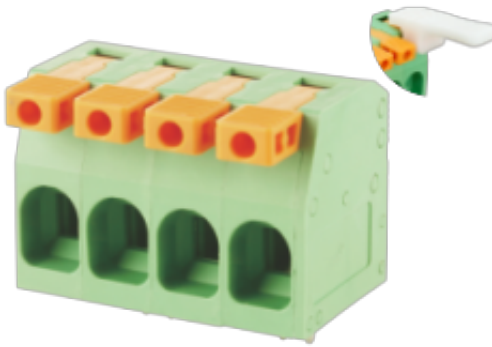


WJ240R-10.0
PCB SPRING TERMINAL BLOCK



PCB spring terminal block
 Rated current: 51 A
 Rated voltage: 600 V
 Wire range: 18-4 AWG
 Pitch: 10.0 mm
 Mounting: Wave soldering



UL/CUL

Use Group	B	C	D
Rate Voltage [V]	600	600	600
Rated Current [A]	51	51	5
Wire Range [AWG]	18~4		
Dielectric Voltage-Withstand	2.2KV		

IEC

Overvoltage Category	III	III	II
Contamination Class	3	2	2
Rated Voltage [V]	1000	1000	1000
Rated Current [A]	76	76	76
Impulse withstand voltage [KV]	8	8	8
Conductor cross section[solid/flexible] [mm ²]	0.2~16		

Material

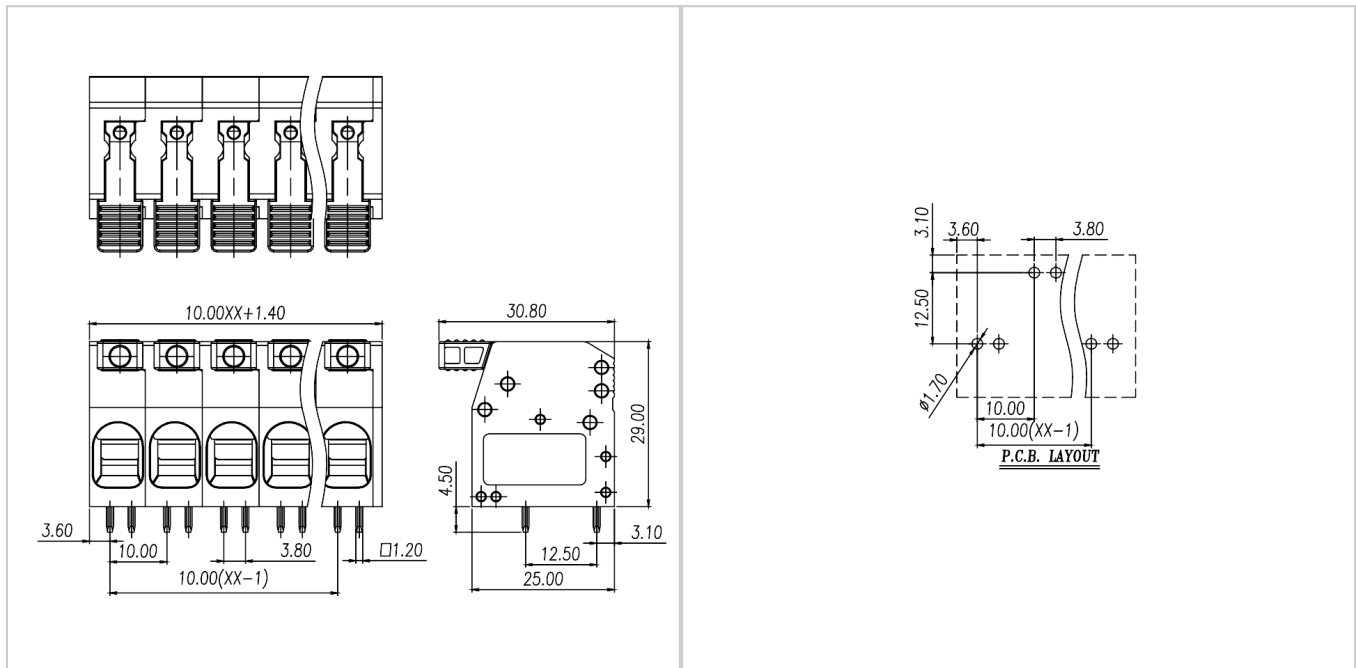
Insulation Material	PA66
Flame retardant rating	UL94V-0
Conductor Material	Copper alloy
Plating of conductor surface	Sn plated

Other Data

Pitch/Poles [mm]/[P]	10.0/2~18
Stripping Length [mm]	17~18
Screw/Torque(Max)[N.m]	/
Operating temperature [°C]	-40~+105
Soldering temperature	260°C/5S
Pin dimensions [mm]	1.2*1.2
PCB Hole Diameter [mm]	□1.7

Dimensions

PCB opening diagram



Accessories