

PTo 250/220...240 3DIM

POWERTRONIC OUTDOOR PTo | ECG for HID lamps, for outdoor lighting



Product family features

- 3DIM functionality (StepDIM/AstroDIM/DALI)
- Energy Efficiency Index EEI: A2
- Lightning protection: up to 10 kV
- Supply voltage: 220...240 V
- Line frequency: 50...60 Hz
- Line harmonics according to EN 61000-3-2
- Immunity according to EN 61547
- RI suppression: to EN 55015
- Safety: to EN 61347-2-12
- Luminous flux factor 1 compared with CCG operation
- Not suitable for DC operation

Product family benefits

- Energy savings up to 30 % (compared to CCG operation) thanks to 3DIM (except PTo 35)
- High surge protection: up to 3 kV (L-N) / 4 kV (L/N-PE)
- Automatic safety shutdown of lamps in the event of a defect or at end of life (EoL)
- Excellent thermal behavior for very high limit temperatures t_c and t_a

Areas of application

- Suitable for luminaires of protection classes I and II
- Suitable for outdoor applications in luminaires with IP > 54

Technical data

Electrical data

Lamp wattage	250 W
Maximum output power	250 W
Line current	1.17 A ¹⁾
Ignition voltage	4.5 kVp
Operating frequency	0.200...0.240 kHz
System wattage	270.00 W
Efficiency in full-load	93 %
Input voltage AC	198...264 V
Nominal voltage	220...240 V
Nominal input voltage (SD port)	220...240 V ²⁾
Mains frequency	50...60 Hz
Power factor λ	0.95 ³⁾
Inrush current	4 A ⁴⁾
Max. ECG no. on circuit breaker 10 A (B)	7 ⁵⁾
Max. ECG no. on circuit breaker 16 A (B)	11 ⁵⁾
Protective conductor current	0.1 mA
U-OUT (working voltage)	250 V
Max. working voltage between LH and LL	250 V
Max. working voltage betw. LL/LH & earth	250 V
Max. capacitance of wire ECG/lamp	200 pF
Surge capability (L-N)	3 kV
Surge capability (L/N-Ground)	4 kV

1) At 230 V_{AC}

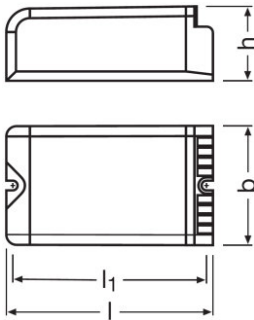
2) In relation to N / Active: input current > 1.6 mA_{pk} / Inactive: input current pk</sub>

3) Minimum

4) $t_{width} = 6 \text{ ms}$ (measured at 50 % I_{peak})

5) Type C

Dimensions & weight



Length	170.0 mm
Width	90.0 mm
Height	60.0 mm
Mounting hole spacing, length	160.0 mm
Cable cross-section, input side	1.0...2.5 mm ²
Cable cross-section, output side	1.0...2.5 mm ²
Wire preparation length, input side	10...11 mm
Wire preparation length, output side	10...11 mm
Product weight	1375.00 g

Colors & materials

Casing material	Plastic
-----------------	---------

Temperatures & operating conditions

Ambient temperature range	-25...+55 °C
Maximum temperature at tc test point	85 °C

Lifespan

ECG lifetime	60000 h ¹⁾
--------------	-----------------------

¹⁾ At T_{case} = 80°C at T_c point / 10% failure rate

Expected Lifetime

Product name				
PTo 250/220...240 3DIM	ECG ambient temperature [ta]	50	55	-
	Temperature at tc-point [°C]	80	85	-
	Lifetime [h]	60000	40000	-

Additional product data

Required IP rating of luminaire	> 54
Design / version	ECG outdoor
Suitable for lamp power (1 lamp)	250 W

Capabilities

Dimming interface	DALI / StepDIM / AstroDIM
Dimming range	60...100 %
Max. cable length to lamp/LED module	1.5 m
Burn-in time prior to dimming operation	10 min
Overheating protection	Power reduction and switch off at T > 85 °C at the tc point
ECG reset time	> 0.5 s
Dimmable	Yes
Restriction on ignition time	20 min
Suitable for fixtures with prot. class	I / II
Lightning stroke protection	With connected equipotentiality-terminal 10 surges with 10 kV acc. to IEC 61000-4-5
Intended for no-load operation	No

Certificates & standards

Approval marks – approval	ENEC 10 / VDE / VDE-EMC / EAC / C-Tick
Type of protection	IP20
EEI – Energy Label	A2
Standards	Acc. to EN 61347-2-12/Acc. to EN 55015/Acc. to EN 61000-3-2/Acc. to EN 61547/Acc. to EN 62386-101/Acc. to EN 62386-102/Acc. to EN 62386-103

Logistical data

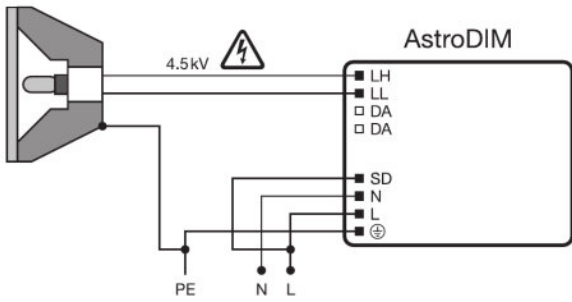
Commodity code	850410809000
----------------	--------------

Environmental information

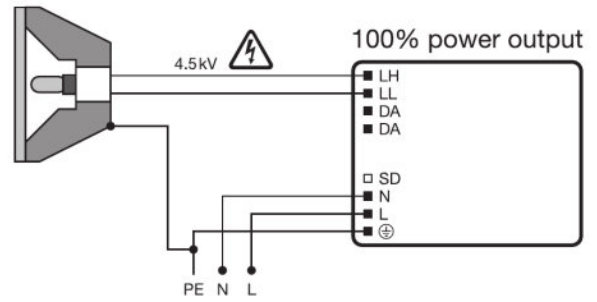
Information according Art. 33 of EU Regulation (EC) 1907/2006 (REACH)	
Date of Declaration	14-04-2022
Primary Article Identifier	4008321863669
Candidate List Substance 1	Lead
CAS No. of substance 1	7439-92-1
Safe Use Instruction	The identification of the Candidate List substance is sufficient to allow safe use of the article.

Declaration No. in SCIP database	d2472cee-6c8e-408d-a7ce-87bda815fdaf
----------------------------------	--------------------------------------

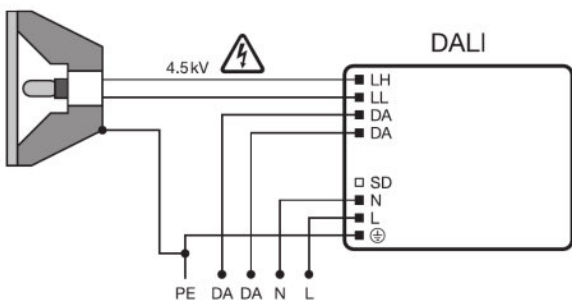
Wiring Diagram



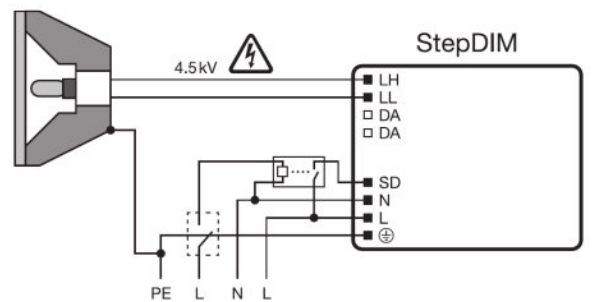
490018_PTo 250 3DIM - AstroDIM



490517_PTo 250 3DIM - 100 percent permanent



490527_PTo 250 3DIM - DALI



544632_PTo 250 StepDIM

Product datasheet

Safety advice

Ballast losses and lamp heat radiation can lead to heat accumulation in a completely closed case. Therefore it is necessary to ensure that the temperature at the measuring point t of the ECG does not exceed the maximum value.











Attention!

For safety reasons disconnect the device before replacing the lamp!

Additional product information

- An external relay connected in front of the SD port is necessary in StepDIM installations. The relay needs to be selected in a way that it is not switched or hold by the occurring leakage currents in the installation.
 - In order to achieve good radio interference suppression:1. Keep the cable between ECG and lamp as short as possible.2. The single lamp wires must be routed as close as possible to each other.
-

Download Data

File	
	User instruction POWERTRONIC PTo
	Tender documents 339884_Tender Document for POWERTRONIC EVG.eng
	Certificates 554891_EAC PT family
	Certificates VDE ENEC Certificate 40035813
	Declarations of conformity Powertronic CE 3363432 150222
	Declarations of conformity Pti Pto PT-FIT EMC 280722
	Operating instructions 590728_EAC-PTO
	CAD data 3-dim 490514_PTo 250.STEP
	CAD data 3-dim 490515_PTo 250.IGS
	CAD data PDF 490066_PTo 250 3DIM

Product datasheet

Ecodesign regulation information:

Separate control gear and light sources must be disposed of at certified disposal companies in accordance with Directive 2012/19/EU (WEEE) in the EU and with Waste Electrical and Electronic Equipment (WEEE) Regulations 2013 in the UK. For this purpose, collection points for recycling centres and take-back systems (CRSO) are available from retailers or private disposal companies, which accept separate control gear and light sources free of charge. In this way, raw materials are conserved and materials are recycled.

Logistical Data

Product code	Product description	Packaging unit (Pieces/Unit)	Dimensions (length x width x height)	Volume	Gross weight
4008321863669	PTo 250/220...240 3DIM	Shipping carton box 10	403 mm x 265 mm x 205 mm	21.89 dm ³	14455.00 g

The mentioned product code describes the smallest quantity unit which can be ordered. One shipping unit can contain one or more single products. When placing an order, for the quantity please enter single or multiples of a shipping unit.

Disclaimer

Subject to change without notice. Errors and omission excepted. Always make sure to use the most recent release.

PTo 250/220...240 3DIM

POWERTRONIC OUTDOOR PTo | ECG for HID lamps, for outdoor lighting

Product name	Lamp group
PTo 250/220...240 3DIM	HCI-TT 250W
	HQI-E 250W/D
	HQI-E/P 250W
	HQI-T 250W
	HQI-TS 250W
	NAV-E 250
	NAV-T 250
	NAV-TS 250