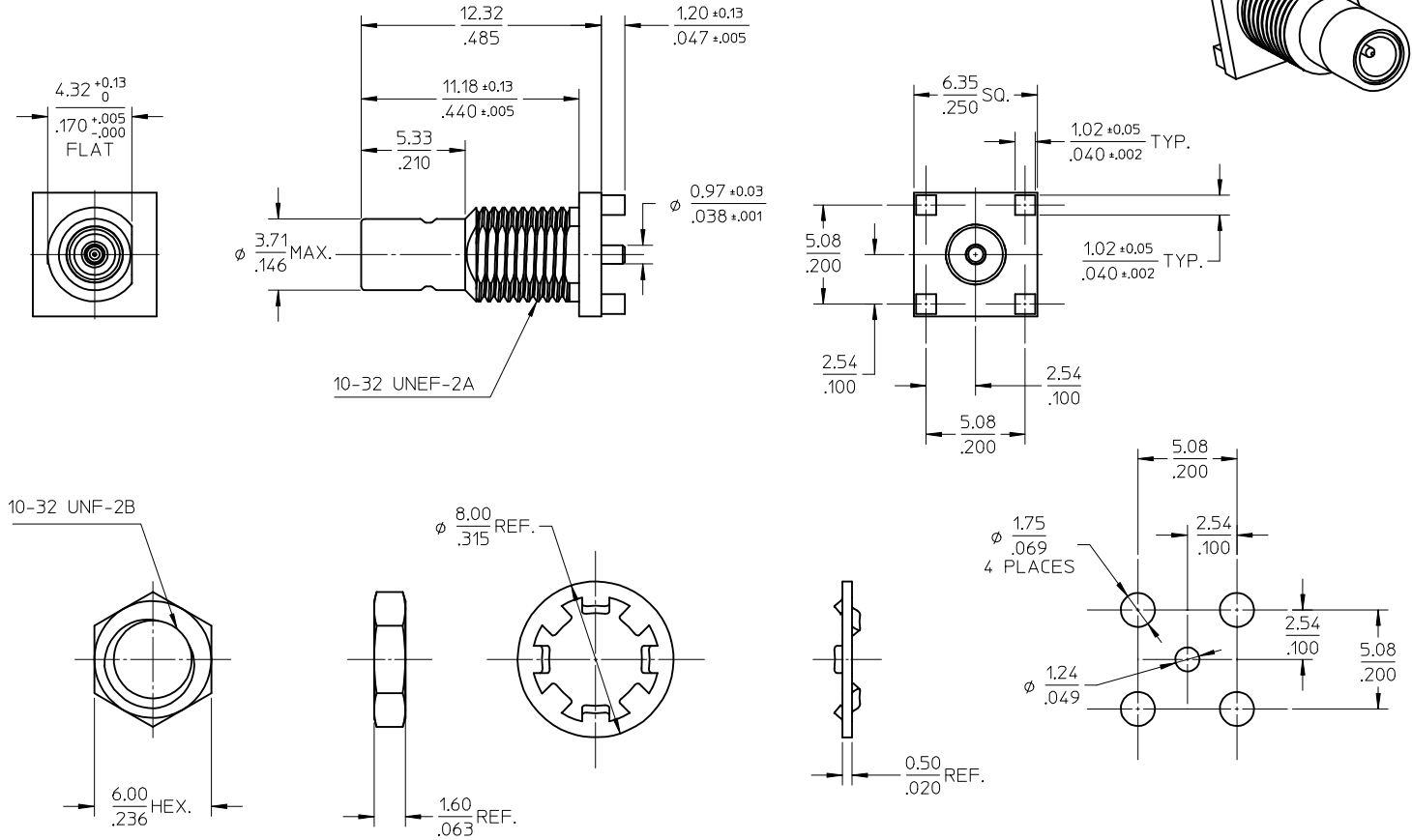
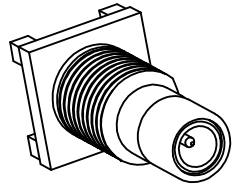


MATERIALS AND FINISHES

- BODY BRASS
PLATED GOLD 1 MICROINCHS MIN.
- CENTER CONTACT BRASS
PLATED GOLD 10 MICROINCHS MIN.
- INSULATOR TEFLON
- JAM NUT BRASS
PLATED GOLD 1 MICROINCHS MIN.
- LOCK WASHER PHOSPHOR BRONZE
PLATED GOLD 1 MICROINCHS MIN.



RECOMMENDED PCB LAYOUT

| | |
|-------------------------|---------------------------|
| | |
| MIL-STD-348A FIG. 311-1 | PERFORMANCE SPECIFICATION |
| SPECIFICATION | DESCRIPTION |

| | | | | | | | |
|---|-----------------|--|--|---|---|------------------------|--|
| NEW RELEASED EC NO: URF200520230 DRWNLN CHKD: APPR: MHUANG 2004/12/22 DESCRIPTION | QUALITY SYMBOLS | GENERAL TOLERANCES (UNLESS SPECIFIED) | DIMENSION STYLE | SCALE | DESIGN UNITS | THIRD ANGLE PROJECTION | |
| | ▽=0 □=0 | mm INCH 4 PLACES ± --- ± --- 3 PLACES ± --- ± --- 2 PLACES ± 0.25 ± --- 1 PLACE ± 0.13 ± --- ANGULAR ± 2 ° | MM/IN | 2.5:1 | METRIC | | |
| | | DRAFT WHERE APPLICABLE MUST REMAIN WITHIN DIMENSIONS | DRAWN BY: EVITA DATE: 2004/12/07 CHECKED BY: JOHNSON DATE: 2004/12/07 APPROVED BY: MISEN DATE: 2004/12/07 | TITLE | 50 OHM SMB VERTICAL PCB MOUNT JACK RECEPTACLE SMB-J/PCB | | |
| | | | MATERIAL NO. 73396-0380 SIZE A3 | MOLEX INCORPORATED DOCUMENT NO. SD-73396-038 SHEET NO. 1 OF 1 | THIS DRAWING CONTAINS INFORMATION THAT IS PROPRIETARY TO MOLEX INCORPORATED AND SHOULD NOT BE USED WITHOUT WRITTEN PERMISSION | | |