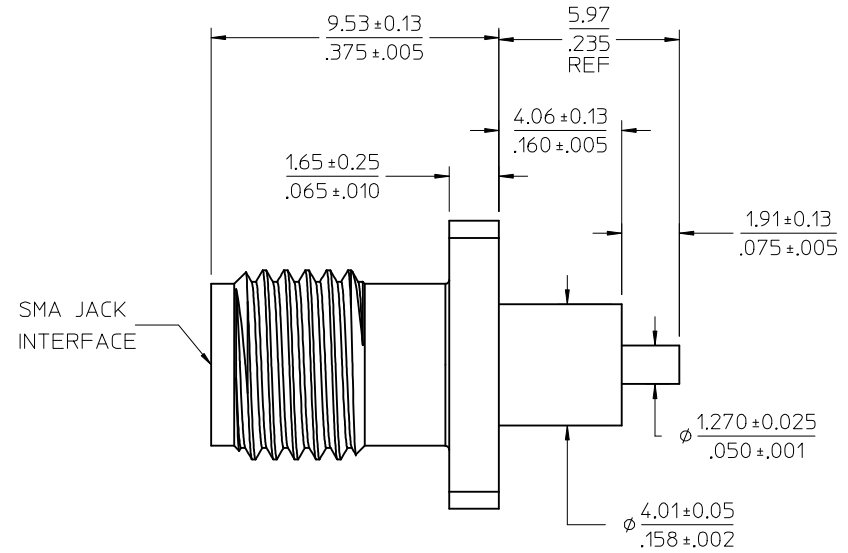
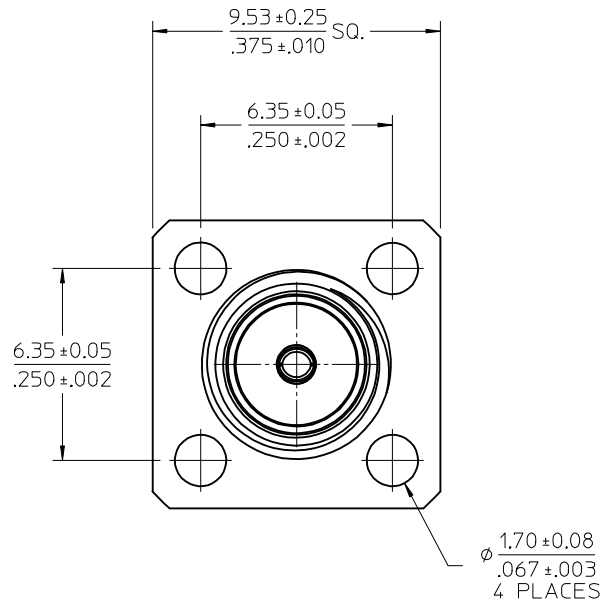
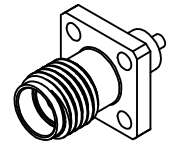


MATERIALS AND FINISHES:

BODY: BRASS
PLATED GOLD

CENTER CONTACT: BERYLLIUM COPPER
PLATED GOLD

INSULATOR: TEFLON



PART # 73251-3890

MIL-STD-348A, FIG. 310.2	INTERFACE
SPECIFICATION	DESCRIPTION

CHG: UPDATE VIEW ADD .075*.005 WAS .235*.005	EC NO: URF2014-0004 2013/07/01	DRWN: JWIENER 2013/07/01	CHKD: SSS 2013/07/01	APPR: JWIENER 2013/07/01	DESCRIPTION
REV	A1				

QUALITY SYMBOLS	GENERAL TOLERANCES (UNLESS SPECIFIED)
▽=0	mm INCH
▽=0	4 PLACES ± --- ± ---
	3 PLACES ± --- ± ---
	2 PLACES ± --- ± ---
	1 PLACE ± --- ± ---
	ANGULAR ± 2 °
	DRAFT WHERE APPLICABLE MUST REMAIN WITHIN DIMENSIONS

DIMENSION STYLE		SCALE	DESIGN UNITS	THIRD ANGLE PROJECTION
MM/IN			METRIC	
DRAWN BY	DATE	TITLE		
JYL	2009/07/22	SMA JACK, 4 HOLE FLANGE		
CHECKED BY	DATE	50 OHMS, CANDLE STICK		
SSS	2009/07/22	EWR-4152 SMA-JR		
APPROVED BY	DATE	MOLEX INCORPORATED		
JDW	2009/07/22	MATERIAL NO. 732513890		
DOCUMENT NO.		SHEET NO.		
SD-73251-389		1 OF 1		

MATERIAL NO.		DOCUMENT NO.		SHEET NO.
732513890		SD-73251-389		1 OF 1
THIS DRAWING CONTAINS INFORMATION THAT IS PROPRIETARY TO MOLEX INCORPORATED AND SHOULD NOT BE USED WITHOUT WRITTEN PERMISSION				