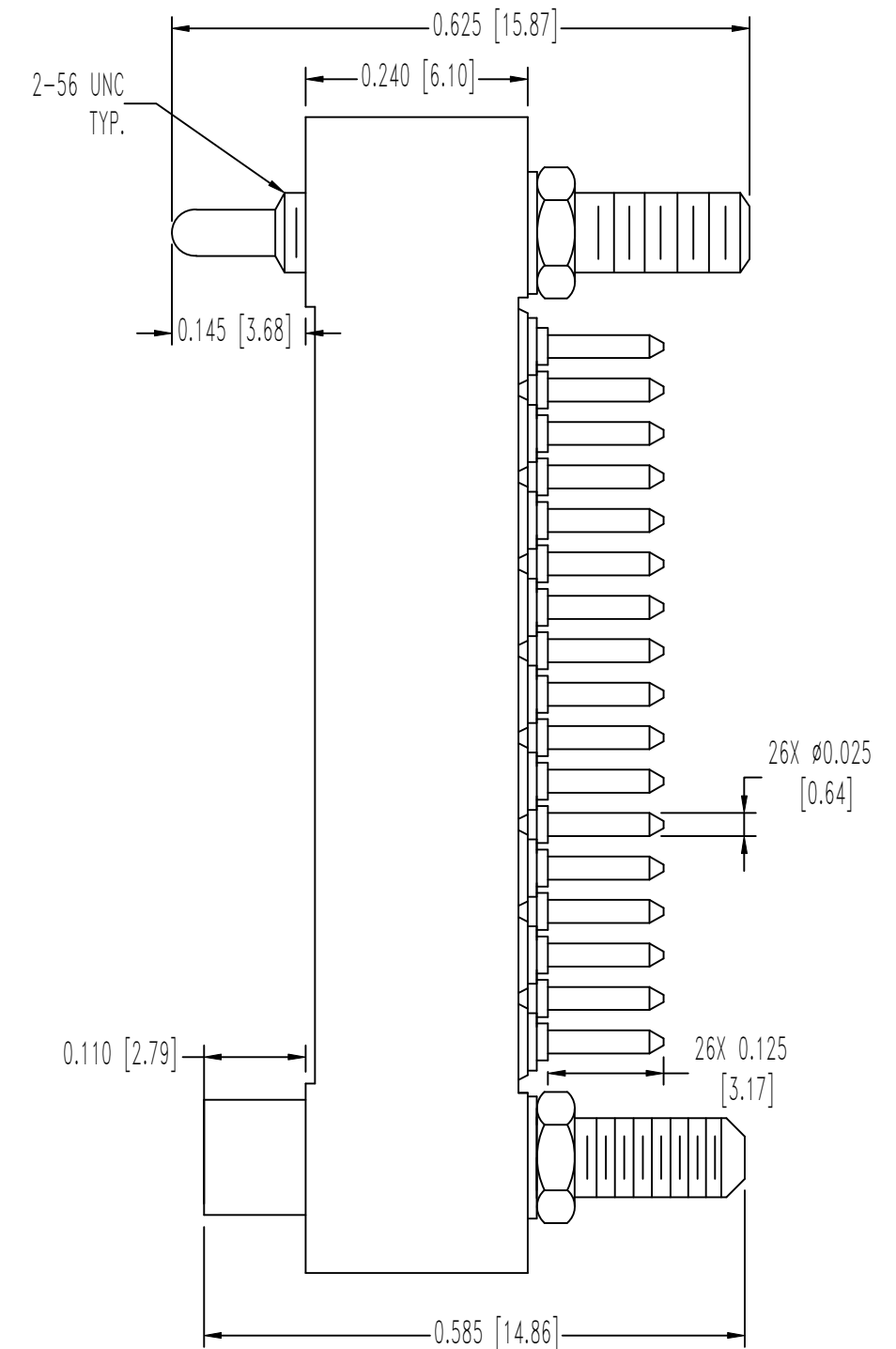
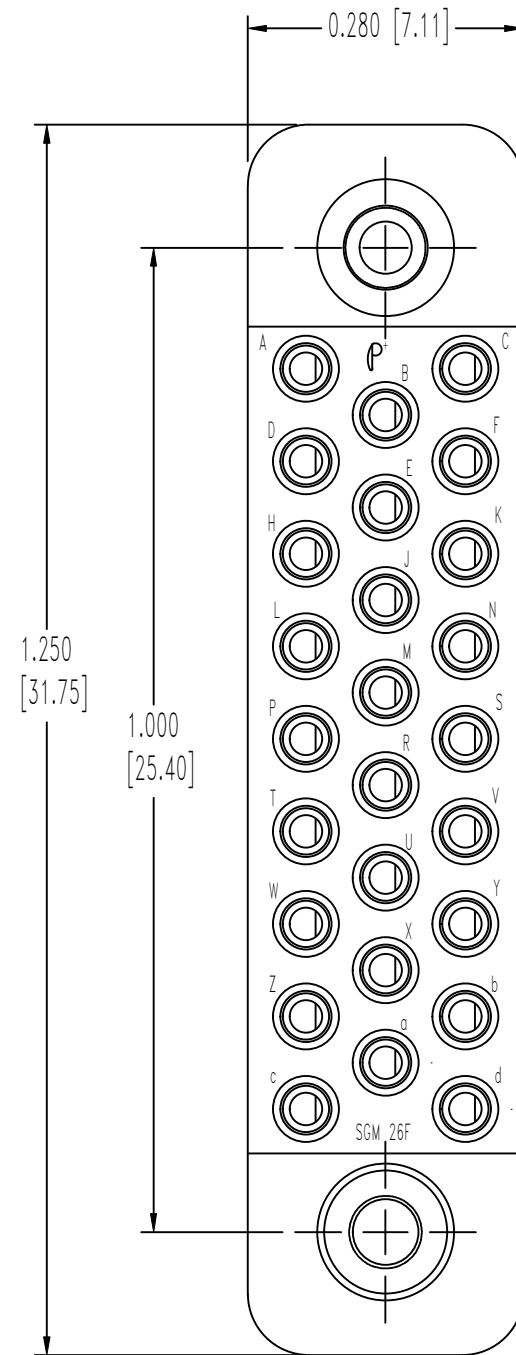
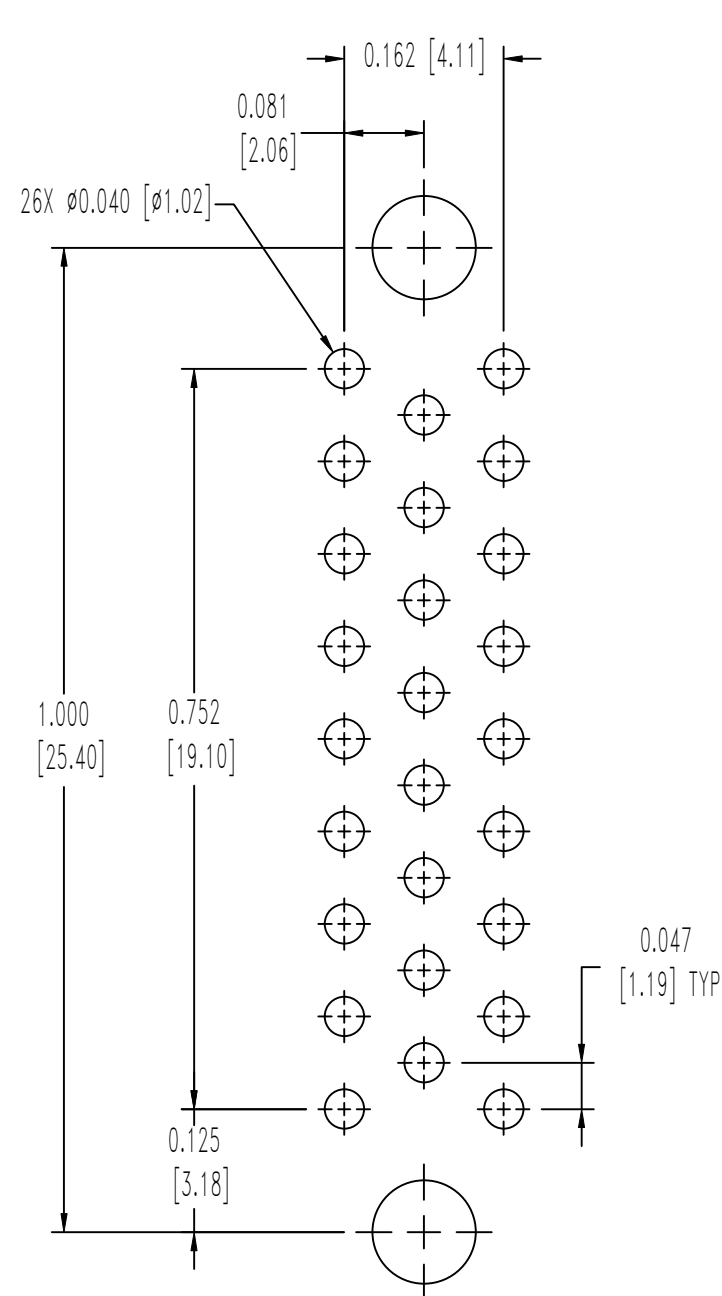


SK11104

DATE	REV	REVISION RECORD	APP	DR	CK
11-4-09	NC	ECO 31687	TK	ME	TK
2-19-10	A	ECO 32141	COLE	BE	COLE

THIS DRAWING CONTAINS INFORMATION PROPRIETARY TO POSITRONIC AND ITS SUBSIDIARIES. POSITRONIC BELIEVES THE DATA ON THIS DRAWING TO BE RELIABLE, SINCE THE TECHNICAL INFORMATION IS GIVEN FREE OF CHARGE, THE USER EMPLOYS SUCH INFORMATION AT HIS OWN DISCRETION AND RISK. POSITRONIC ASSUMES NO RESPONSIBILITY FOR RESULTS OBTAINED OR DAMAGES INCURRED FROM USE OF SUCH INFORMATION IN WHOLE OR IN PART.



NOTES:

- MATERIALS AND FINISHES:
 INSULATOR: GLASS FILLED DAP PER ASTM-D-5948 TYPE SDG-F, COLOR GREY.
 CONTACTS - PRECISION MACHINED HIGH TENSILE COPPER ALLOY WITH BERYLLIUM COPPER CLIP GOLD FLASH OVER NICKEL FINISH.
 JACKSCREWS: PASSIVATED STAINLESS STEEL.
 HEX NUTS AND WASHERS: NYLON.
- DETAILED PRODUCT, ELECTRICAL, AND MECHANICAL INFORMATION IS AVAILABLE IN THE LATEST HIGH DENSITY RECTANGULAR PRODUCT PUBLICATION. VISIT CONNECTPOSITRONIC.COM/PRODUCTS/54/HIGHDENSITYRECTANGULAR OR CONNECTPOSITRONIC.COM.
- DIMENSIONS ARE IN INCHES [MILLIMETERS].

 POSITRONIC INDUSTRIES INC. www.connectpositronic.com		FSCM 28198	
		SCALE N.T.S.	DRAWN BY M. ENEA
DECIMAL TOL. ± 0.015 [0.38]	SGM SERIES	APPROVED BY T KEPLEY	
TITLE SGM26SDS4T0000			
ANGULAR TOL. ± 5°	DATE 11-4-09	DRAWING NUMBER SK11104	REV. A