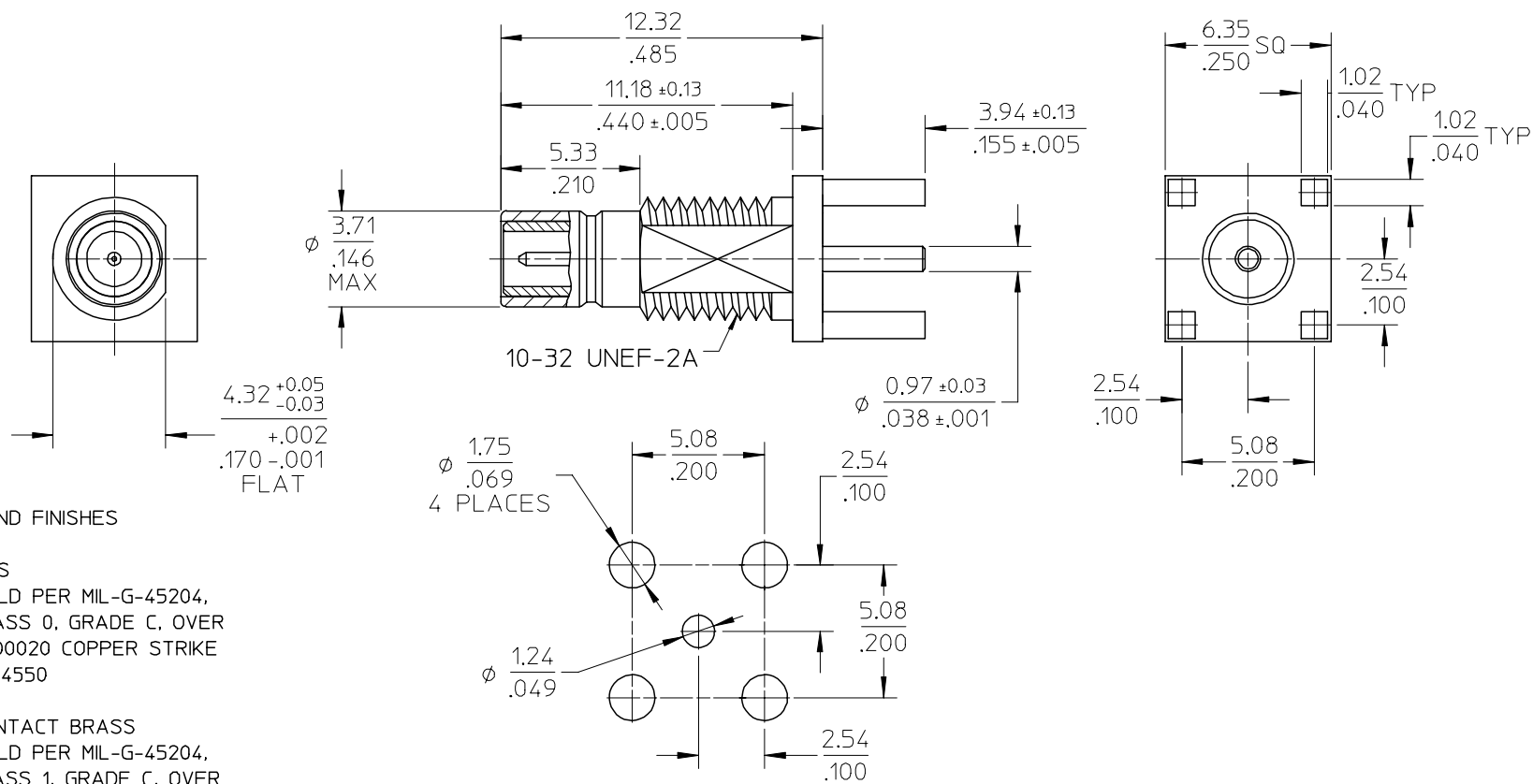


7 6 5 4 3 2 1



MATERIALS AND FINISHES

BODY BRASS
 PLATED GOLD PER MIL-G-45204,
 TYPE II, CLASS 0, GRADE C, OVER
 .00010 TO .00020 COPPER STRIKE
 PER MIL-C-14550

CENTER CONTACT BRASS
 PLATED GOLD PER MIL-G-45204,
 TYPE II, CLASS 1, GRADE C, OVER
 .00010 TO .00020 NICKEL PER
 QQ-N-290

INSULATOR TEFLON

RECOMMENDED PCB LAYOUT PART NO.#73396-0150

MIL-STD-348A FIG. 311-1	PERFORMANCE SPECIFICATION
SPECIFICATION	DESCRIPTION

WM UPLOAD EC NO: URF2005-0384 DRWN: YCHENG CHKD: APPR: MHUANG 2005/03/15 2005/03/18 2005/03/21	DESCRIPTION REV	QUALITY SYMBOLS	GENERAL TOLERANCES (UNLESS SPECIFIED)	DIMENSION STYLE	SCALE	DESIGN UNITS	THIRD ANGLE PROJECTION															
		$\nabla=0$ $\sphericalcap=0$	<table border="1"> <thead> <tr> <th></th> <th>mm</th> <th>INCH</th> </tr> </thead> <tbody> <tr> <td>4 PLACES</td> <td>±---</td> <td>±---</td> </tr> <tr> <td>3 PLACES</td> <td>±---</td> <td>±---</td> </tr> <tr> <td>2 PLACES</td> <td>±0.13</td> <td>±---</td> </tr> <tr> <td>1 PLACE</td> <td>±0.25</td> <td>±---</td> </tr> </tbody> </table>		mm	INCH	4 PLACES	±---	±---	3 PLACES	±---	±---	2 PLACES	±0.13	±---	1 PLACE	±0.25	±---	MM/IN	---	METRIC	
			mm	INCH																		
		4 PLACES	±---	±---																		
		3 PLACES	±---	±---																		
2 PLACES	±0.13	±---																				
1 PLACE	±0.25	±---																				
		DRAWN BY CLAIRE CHECKED BY KERRIE APPROVED BY MISEN	DATE 2002/2/6 DATE 2002/2/6 DATE 2002/2/6	TITLE 50 OHM SMB VERTICAL PCB MOUNT JACK RECEPTACLE SMB-J/PCB																		
		MATERIAL NO. 733960150	DOCUMENT NO. SD-73396-015	MOLEX INCORPORATED																		
A2		DRAFT WHERE APPLICABLE MUST REMAIN WITHIN DIMENSIONS		SIZE A4	SHEET NO. 1 OF 2																	

6 5 4 3 2 1

7 6 5 4 3 2 1

MATERIALS AND FINISHES

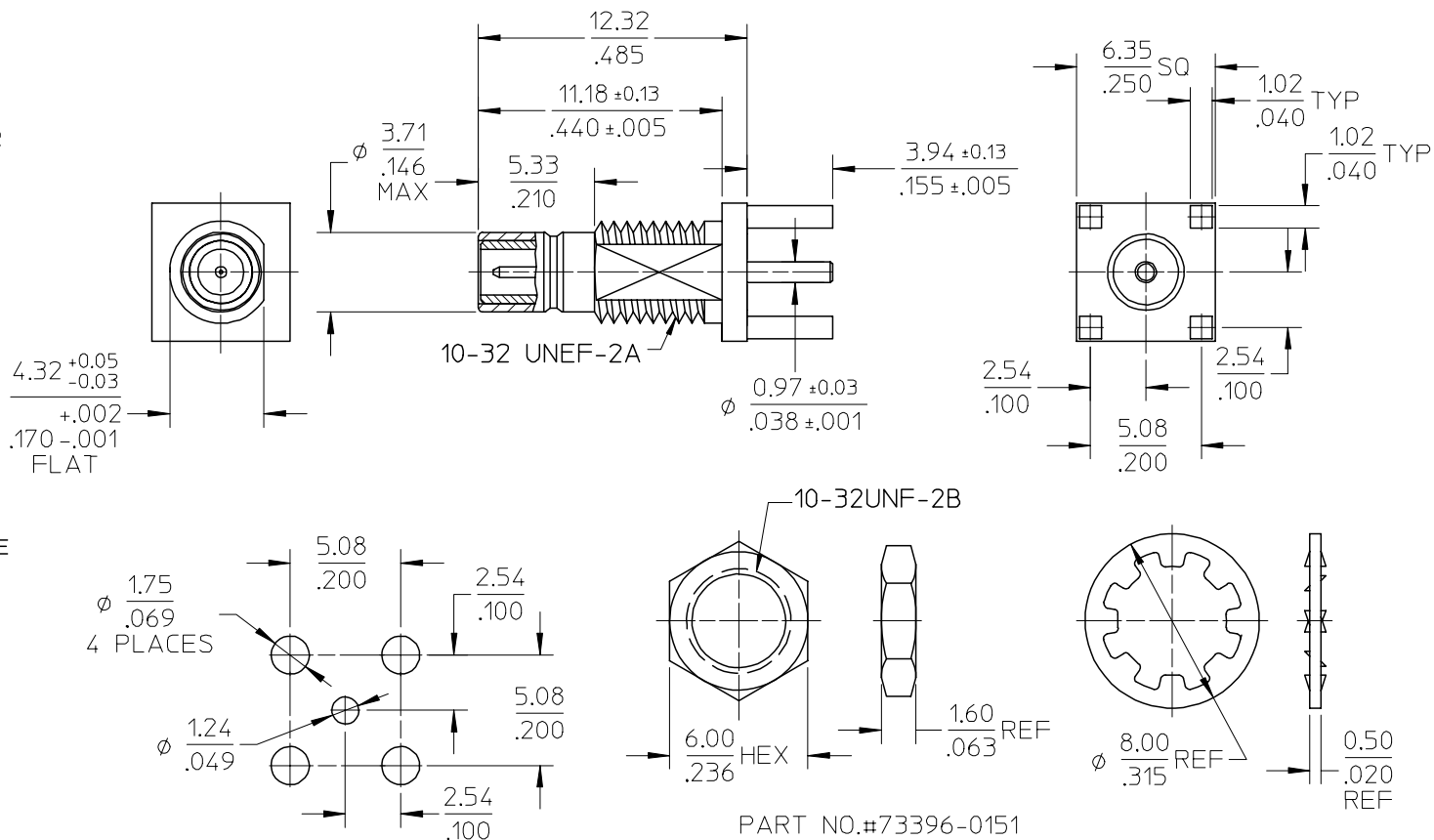
BODY BRASS
 PLATED GOLD PER MIL-G-45204,
 TYPE II, CLASS 0, GRADE C, OVER
 .00010 TO .00020 COPPER STRIKE
 PER MIL-C-14550

CENTER CONTACT BRASS
 PLATED GOLD PER MIL-G-45204,
 TYPE II, CLASS 1, GRADE C, OVER
 .00010 TO .00020 NICKEL PER
 QQ-N-290

INSULATOR TEFLON

JAM NUT: BRASS
 PLATED GOLD

LOCK WASHER : PHOSPHOR BRONZE
 PLATED GOLD



RECOMMENDED PCB LAYOUT

PART NO.#73396-0151

MIL-STD-348A FIG. 311-1	PERFORMANCE SPECIFICATION
SPECIFICATION	DESCRIPTION

WM UPLOAD EC NO: URF2005-0384 DRWN: YCHENG CHKD: APPR: MHUANG 2005/03/15 2005/03/18 2005/03/21	QUALITY SYMBOLS	GENERAL TOLERANCES (UNLESS SPECIFIED)		DIMENSION STYLE		SCALE	DESIGN UNITS	THIRD ANGLE PROJECTION
	▽=0 □=0	mm	INCH	MM/IN	---	METRIC	☉ □ THIRD ANGLE PROJECTION	
		4 PLACES ± --- ± ---	3 PLACES ± --- ± ---	2 PLACES ± 0.13 ± ---	1 PLACE ± 0.25 ± ---	DATE	TITLE	
		ANGULAR ± 2 °		DRAWN BY		DATE	50 OHM SMB VERTICAL PCB MOUNT JACK RECEPTACLE SMB-J/PCB	
	DRAFT WHERE APPLICABLE MUST REMAIN WITHIN DIMENSIONS		CHECKED BY		DATE	MOLEX INCORPORATED		
			APPROVED BY		DATE		MATERIAL NO. 733960151	DOCUMENT NO. SD-73396-015
			MATERIAL NO.		DATE	THIS DRAWING CONTAINS INFORMATION THAT IS PROPRIETARY TO MOLEX INCORPORATED AND SHOULD NOT BE USED WITHOUT WRITTEN PERMISSION		

6 5 4 3 2 1