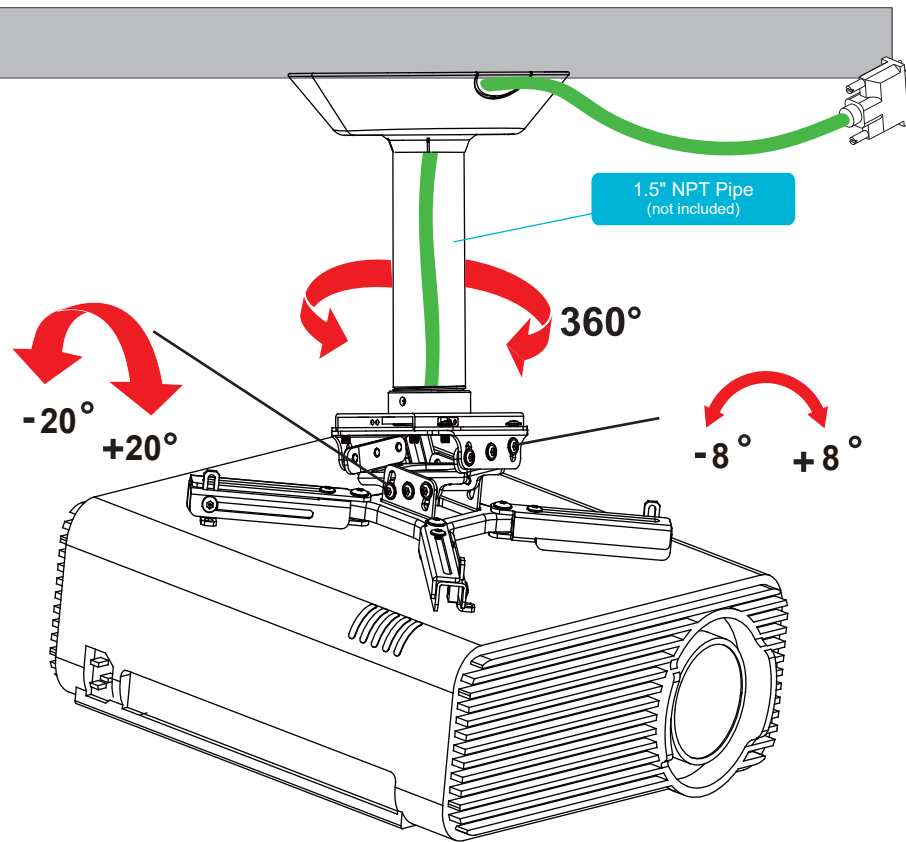


4 Adjustments



For a perfect viewing experience, make adjustments by loosening the screws slightly on the projector mount and tighten them to secure the position with an allen key.

Roll $\pm 8^\circ$, Pitch $\pm 20^\circ$, Rotate 360°



HEAVY!
Use an assistant for this step.

IMPORTANT!
Do not loosen screws all the way when making adjustments, this will disconnect the parts and may cause injury or property damage.

QualGear
Accessories that Inspire.

QG-PRO-PM-50-B
QG-PRO-PM-50-W
INSTALLATION MANUAL

UNIVERSAL PROJECTOR MOUNT



www.qualgear.com

32kg
(70lbs)
RATED

CAUTION!
Do not exceed the maximum rated weight specified. Otherwise, serious injury or property damage may occur.



■ 5 Year Limited Warranty

■ Version November 2015

NOTE Please read the entire installation manual before you start installation and assembly.

WARNING

- Do not begin to install your QualGear product until you have read and understood all the instructions and warnings contained in this installation manual. If you have any questions regarding the instructions, for US customers please contact QualGear customer support via email at support@qualgear.com. For all international customers, please contact your local distributor.
- This product should only be installed by someone of good mechanical aptitude, has experience with basic building construction, and fully understands these instructions.
- This product was designed to be installed and utilized only as specified in this manual. Improper installation of this product may cause damage or serious injury. QualGear is not liable for the improper use or installation of its products.
- Make sure that the supporting surface will safely support the combined load of the equipment and all attached hardware and components.
- Always use an assistant or mechanical lifting equipment to safely lift and position the equipment.
- Tighten screws firmly, but do not over tighten. Over tightening can damage the items, greatly reducing their holding power.
- ALL QUALGEAR products are intended for indoor use only and any outdoor use voids the limited warranty. For warranty information, please visit:
<http://www.qualgear.com/warranty.php>
- Never exceed the maximum rated weight specified in this manual.
- All hardware must be used at the designated points in the installation instructions to prevent property damage and/or personal injury.
- This product was designed to be compatible with all standard 1.5" NPT pipes.

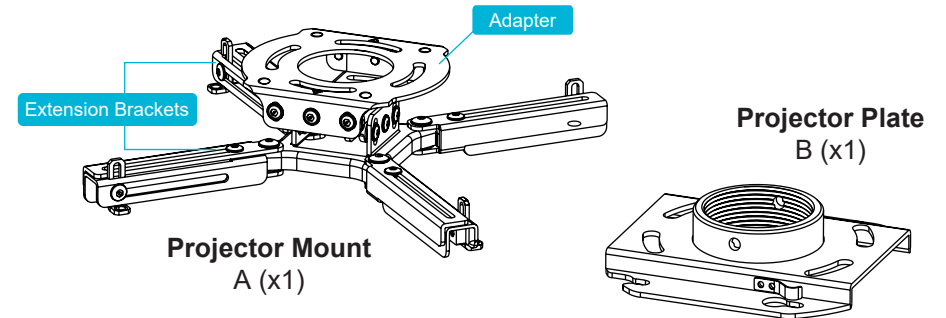
IMPORTANT: Installers must verify that the supporting surface will safely support the combined weight of the equipment and all attached hardware and components.

Maintenance

Please check that the ceiling projector mount is secure and safe to use at regular intervals. If you have any questions regarding any of the instructions or warnings, please contact your local distributor (OR) contact QualGear technical support via email at support@qualgear.com.

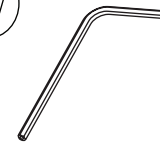
Parts Checklist

IMPORTANT: Before starting installation, please check that all parts shown in this checklist are included. If any parts are missing or damaged, contact your local distributor or support@qualgear.com for replacement parts and do not start assembly and installation until you receive all the parts.



Hardware Package

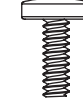
Security



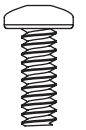
Allen Key
C (x1)



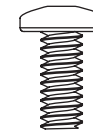
**M4-M6
Allen Key**
D (x1)



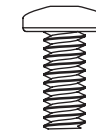
**M3 x 8mm
Screws**
E (x4)



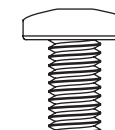
**M4 x 10mm
Screws**
F (x4)



**M5 x 10mm
Screws**
G-1 (x4)



**M5 x 10mm
Screws**
G-2 (x4)



**M6 x 10mm
Screws**
H (x4)



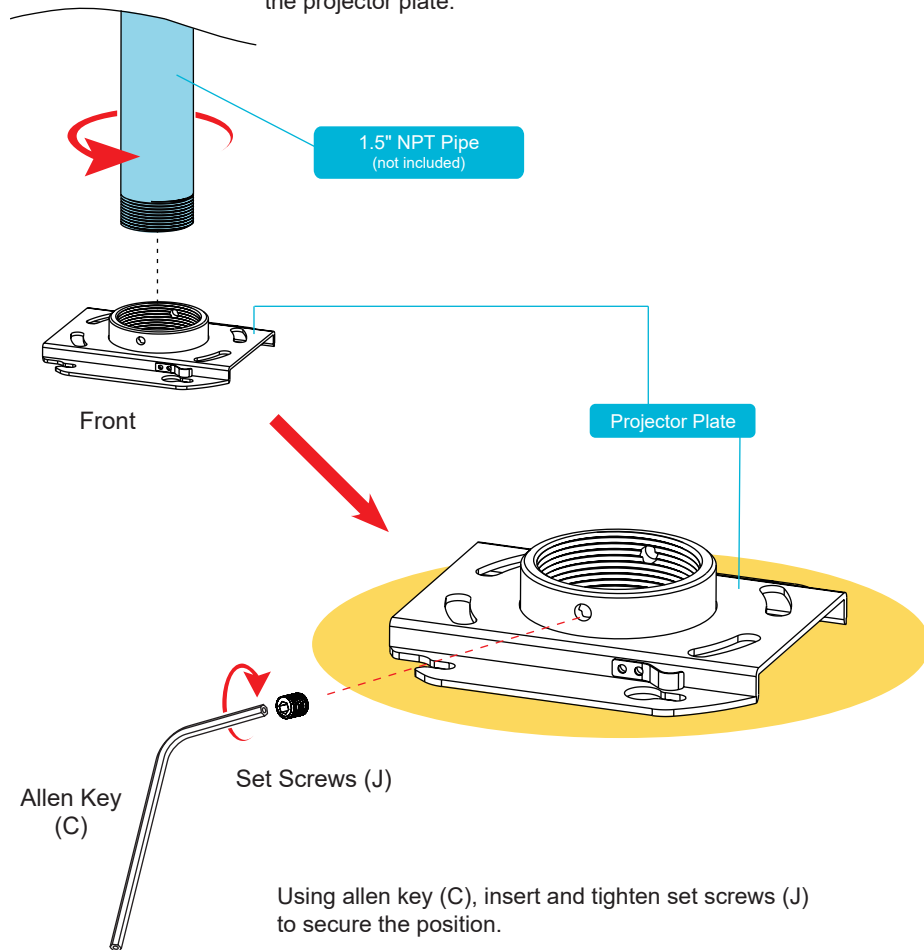
Washers
I (x4)



Set Screws
J (x2)

1 Connecting the Pipe to the Projector Plate

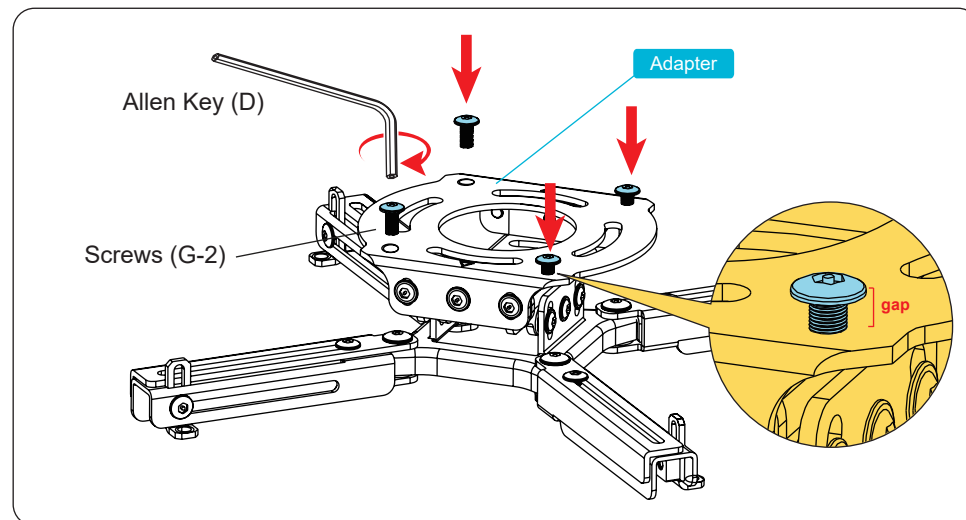
To connect a 1.5" NPT pipe to the projector plate, twist the male threaded end of the pipe into the female thread on the projector plate.



! WARNING

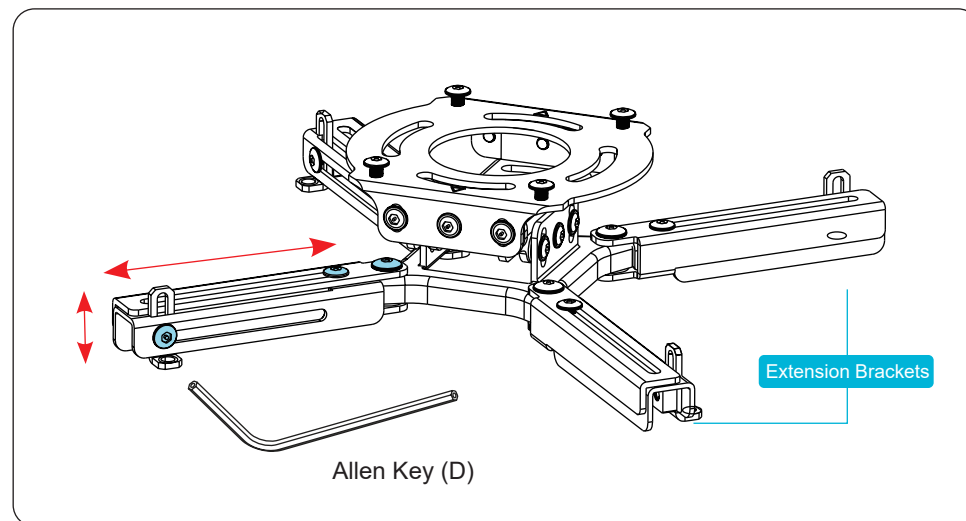
- Installers are responsible to provide hardware for other types of mounting situations.
- Installers must verify that the supporting surface will safely support the combined weight of the equipment and all attached hardware and components.

2 Making Adjustment for Mounting



Using allen key (D), insert screws (G-2) to the adapter as shown and leave a **gap**. Do not tighten all the way.

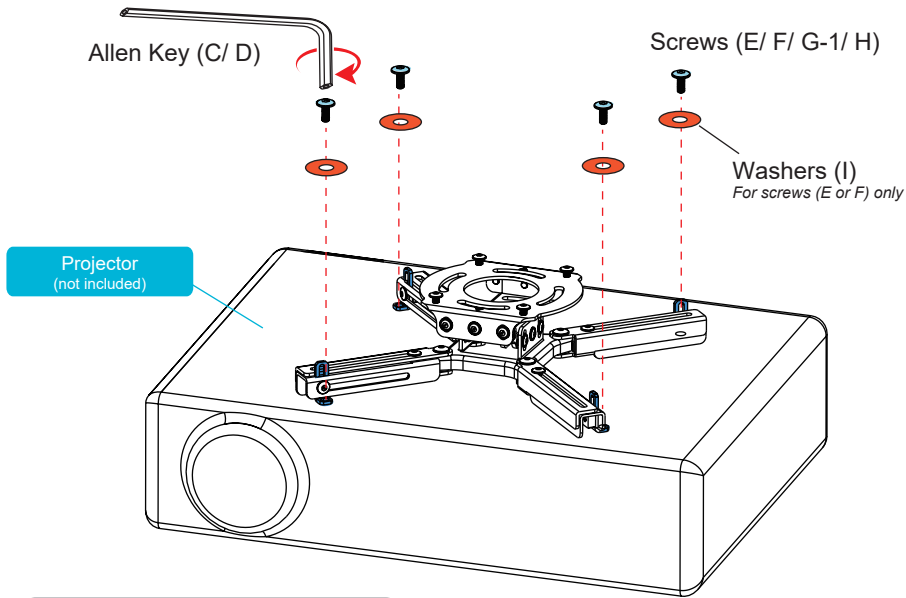
TIP Do not tighten the screws, leave a gap for mounting on the next step.



Depending on your projector, adjust the extension brackets on the projector mount (A) accordingly by using allen key (D).

TIP The length and height of the extension brackets can be changed by sliding in and out, or up and down.

3 Attaching the Projector Mount to the Projector



NOTE Use washers (I) only when using screws (E or F).

Depending on your projector, use the appropriate screws (E/ F/ G-1/ H) and then attach the projector mount to the projector and tighten with allen key (C or D).

