

# AC/DC WALL MOUNT ADAPTER SERIES

## 5 - 24VDC 12W

### POWER PARTNERS: PSAW12I



#### Features:

- Interchangeable plugs for worldwide use
- Class II configuration
- Energy Efficiency Level VI
- No load power consumption  $\leq 100\text{mW}$
- Short circuit/over-voltage/over-current
- No load operation



#### Description:

\*Safety approvals may be model dependent. Consult TT Electronics for specifics or for additional safety approvals required.

The PSAW12I series of AC/DC wall mount switching power supplies provide 7.5 - 12 watts of continuous power. They are Class II input devices with interchangeable AC blades for worldwide use. All models meet FCC PART 15, EN55032, EN61000, and CISPR32 Class B emissions limits and comply with 62368, 61558, 60335, and 61347 standards.

Model	Voltage	Current	Total Power	Load Regulation	Line Regulation	Ripple & Noise (P-P)
PSAW12I-10-B1	5VDC	1.50A	7.5W	$\pm 5\%$	$\pm 1\%$	200mV
PSAW12I-10A-B1	5VDC	2.00A	10W	$\pm 5\%$	$\pm 1\%$	200mV
PSAW12I-11-B1	9VDC	1.00A	10.8W	$\pm 5\%$	$\pm 1\%$	200mV
PSAW12I-12-B1	12VDC	1.00A	12W	$\pm 5\%$	$\pm 1\%$	200mV
PSAW12I-13-B1	15VDC	0.80A	12W	$\pm 5\%$	$\pm 1\%$	200mV
PSAW12I-14-B1	24VDC	0.50A	12W	$\pm 5\%$	$\pm 1\%$	200mV

#### Notes:

1. Ripple & Noise is measured by using a 20MHz bandwidth limited oscilloscope and terminated with a  $0.1\mu\text{F}$  ceramic capacitor in parallel with a  $47\mu\text{F}$  aluminum electrolytic capacitor at full load and nominal line.
2. Line regulation is defined by changing input voltage  $\pm 10\%$  from nominal line at rated load.
3. Shipped with USA AC Blades; others ordered separately.

# AC/DC WALL MOUNT ADAPTER SERIES

## 5 - 24VDC 12W

### POWER PARTNERS: PSAW12I



#### Specifications:

Input	
Input Voltage	90 - 264VAC
Input Frequency	47 - 63Hz
Input Current	≤0.3A at 230VAC
Inrush Current (Typical)	≤40A at 230VAC, cold start
No Load Power Consumption	≤100mW; meets DOE Level VI requirements
Safety Isolation	3000VAC input to output
Output	
Total Output Power	See Table
Output Voltage	See Table
Hold Up Time (Typical)	≥10mS at 115VAC/60Hz, full load ≥20mS at 230VAC/50Hz, full load
Turn on Delay	≤3S
Turn on Rise Time	≤20mS
Minimum Load	No minimum load requirement
Line Regulation	See Table
Load Regulation	See Table
Average Efficiency	≥82.96% at nominal input
Protection Features	
Over-voltage (Typical)	150%. Latching mode. Cycle power to reset.
Over-current	120 - 200%. Auto-recovery.
Short Circuit	Hiccup mode. Auto-recovery.
Environmental	
Operating Temperature	0° - +60°C (See Derating Curve)
Storage Temperature	-20° - +80°C
Operating Humidity	10 - 90% non-condensing
Altitude	<2000m operational and storage

# AC/DC WALL MOUNT ADAPTER SERIES

## 5 - 24VDC 12W

### POWER PARTNERS: PSAW12I



#### Specifications (continued):

General Specifications	
Dimensions	2.32"(59mm)L x 1.61"(40.9mm)W x 1.26"(32mm)H
Weight	0.25lb (115g)
MTBF	>50,000 hours per MIL-HDBK-217F at full load and 25°C ambient
AC Input Connector	Interchangeable plugs for worldwide use
DC Output Connector	Barrel Type
Safety	
Approvals*	IEC62368 CE, UL, CB, KC, SAA, GS, PSB, EAC, UKCA IEC61558 CE, GS, PSE, SAA, CB, CCC, EAC IEC60335 CE, GS, SAA IEC61347 CE, SAA, CCC
*Safety approvals may be model dependent. Consult TT Electronics for specifics or for additional safety approvals required.	
EMC	
Conducted Emission	EN55032:2015 + AC:2016, FCC PART 15, Class B
Radiated Emission	EN55032:2015 + AC:2016, FCC PART 15, Class B
Harmonic Currents	EN61000-3-2
Voltage Flicker	EN61000-3-3:2013
Electrostatic Discharge	IEC61000-4-2:2008 (±8kV air, ±4kV contact)
Radiated Immunity	IEC61000-4-3:2006+A1:2007+A2:2010 (3V/m)
EFT/Burst	IEC61000-4-4:2012 (±1kV)
Surge Immunity	IEC61000-4-5:2014/AMD1:2017 (1kV diff)
Conducted Immunity	IEC61000-4-6:2013 (3Vrms)
Power Frequency Magnetic Field Immunity	IEC61000-4-8:2009
Dips/Interruptions	IEC61000-4-11:2004

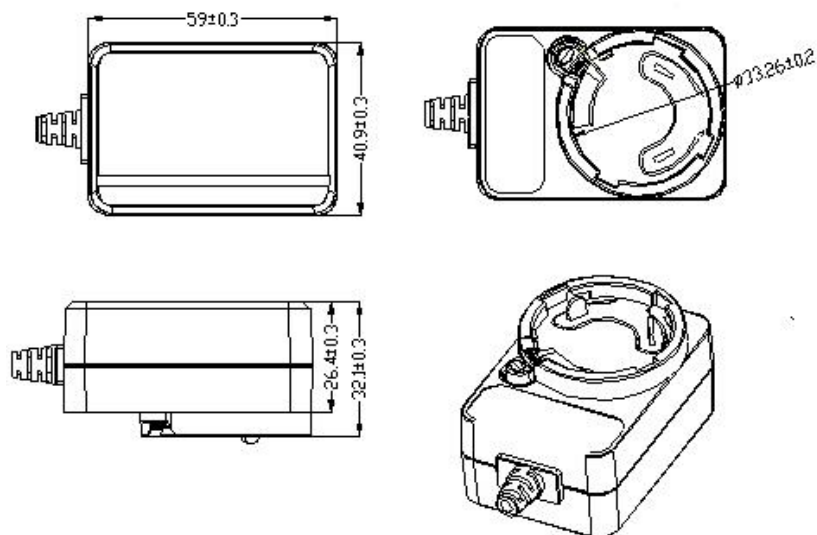
# AC/DC WALL MOUNT ADAPTER SERIES

## 5 - 24VDC 12W

### POWER PARTNERS: PSAW12I



#### Mechanical Outline:



#### Derating Curves:

