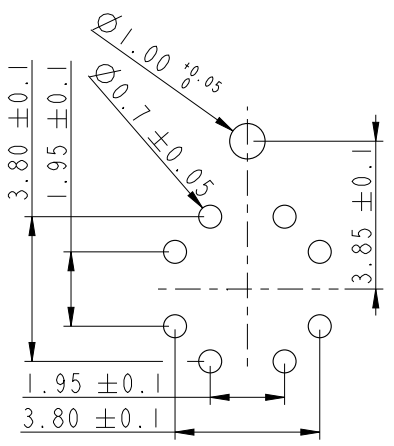
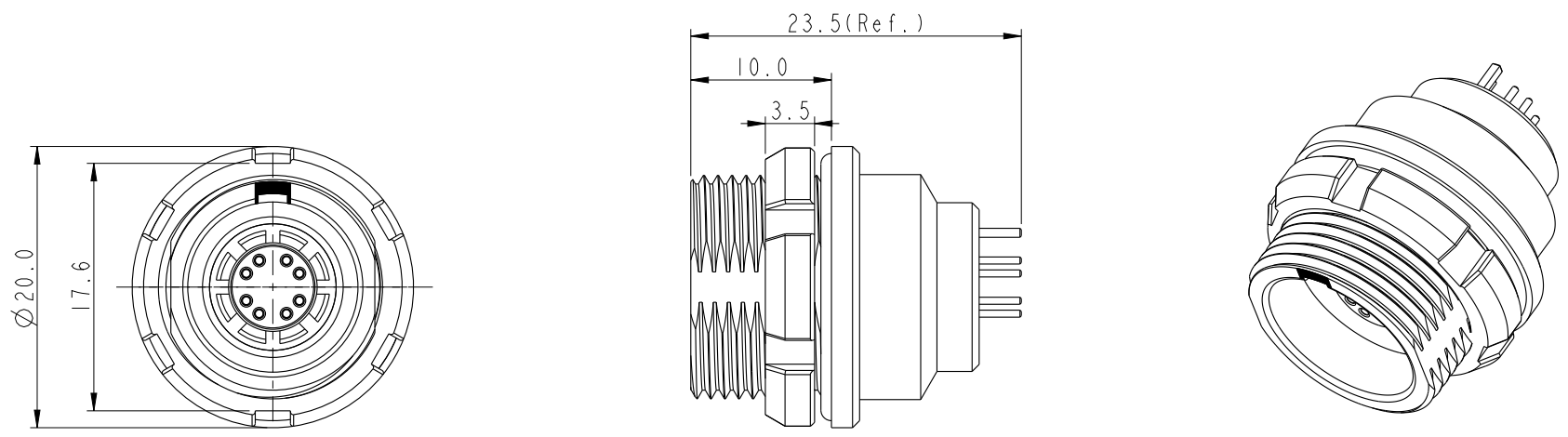
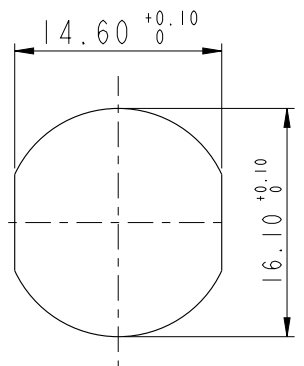


THIS DOCUMENT IS SUBJECT TO CHANGE WITHOUT NOTICE. IT IS CONFIDENTIAL AND A PROPERTY OF Amphenol LTW. DISCLOSURE TO THIRD PARTY HAS TO BE AUTHORIZED BY Amphenol LTW.

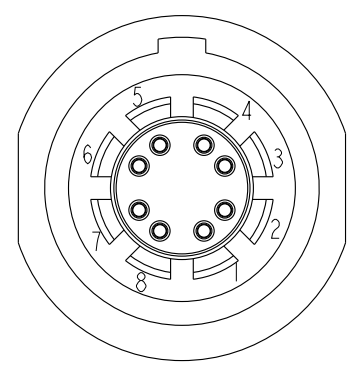
REV.	ECN NO.	DATE	SIGN	DESCRIPTION



PCB Layout



Recommended panel Cut-out



Pin Assignments  
Front View

- Note:
- \* RoHS Compliant
  - \*  $\varnothing$  Important Dimension
  - \* Waterproof Rate: IPX8, Unmated 1m/24h
  - \* Connector
    - Housing: Thermoplastic, Black
    - Pin: Copper Alloy, Gold Plated
    - O-Ring: Rubber, Black
  - \* Shield: Metal
  - \* Nut: Metal
  - \* O-Ring: Rubber, Red
  - \* For Panel Thickness Max 5.0mm
  - \* O-Ring and nut are assembled on connectors

UNIT: mm		
TOLERANCE		
±0.5mm		

TITLE FLO C SIZE CAT 6A PANEL 8P			
SCALE 1:1	SIZE A4	SHEET 1 OF 1	
REV. A	WC-REV. .0	$\varnothing$ : Inspection item	

**Amphenol LTW**  
安費諾亮泰企業股份有限公司

ITEM NO. SLKC-A08EEFP-GCP-001	DRAWN BY Ouyang	DATE 2021-09-08
DWG NO. SLKC-A08EEFP-GCP-001	CHECKED BY Jerry	DATE 2021-09-08
CUSTOMER ALTW	APPROVED BY Fred	DATE 2021-09-08