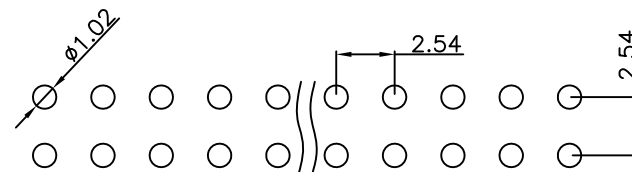
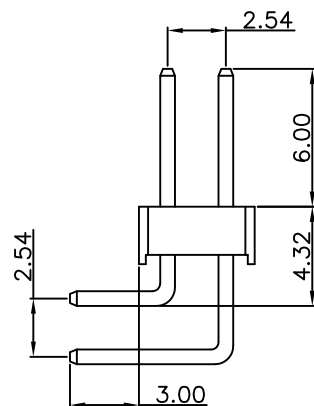
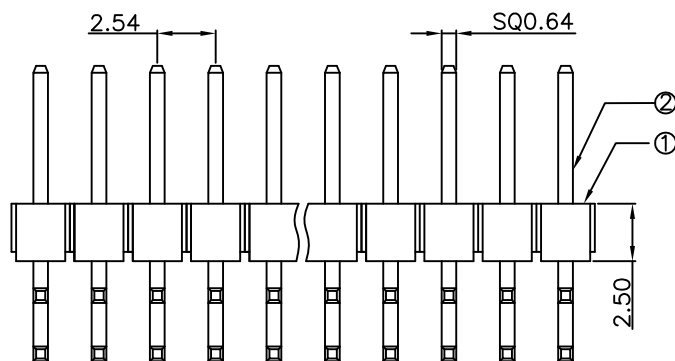
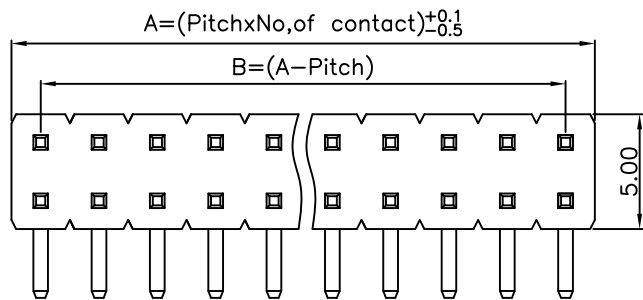
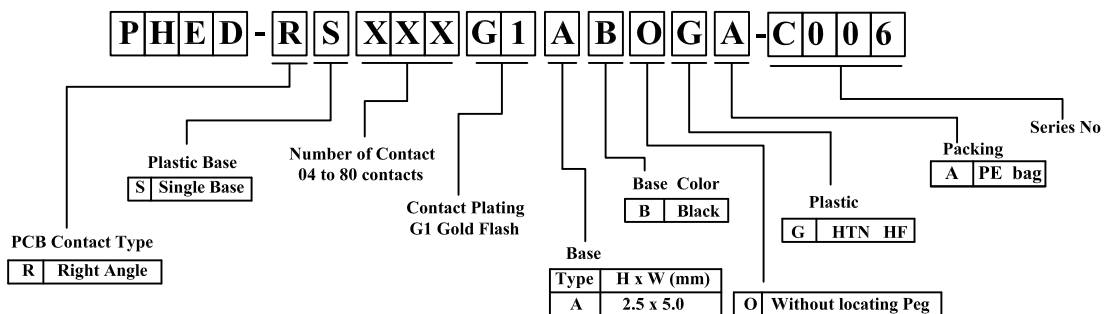


REV.	DESCRIPTION	DATE
A	New Drawing	2008/11/12



P.C.B LAYOUT



L=13.9/18.9mm

RoHS compliant

**Superior Tech Co., Ltd.**

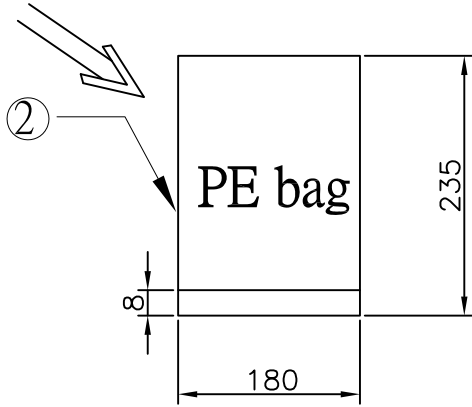
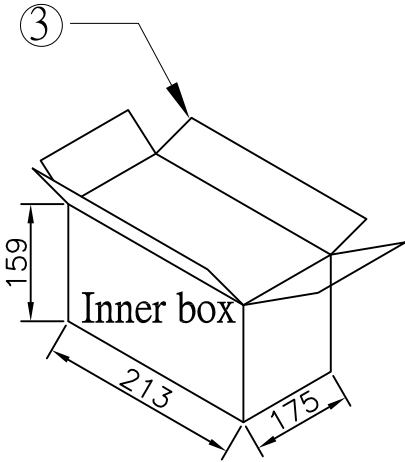
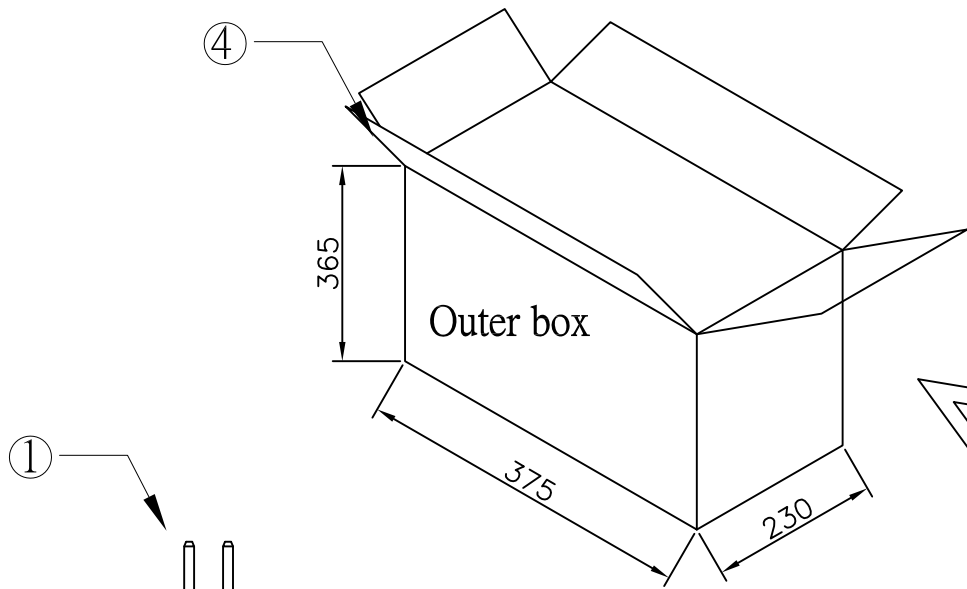
General Tolerance		TITLE	Pitch 2.54x2.54mm Pin Header Dual Row,90°	
X.	± 0.5	DRAWN	DATE	NO.
.X	± 0.3	Yangqingming	11-12-08'	002
.XX	± 0.2	CHECK	DATE	PART NO.
.XXX	± 0.1	APPROVED	DATE	PHED-RSXXXG1ABOGA-C006
Angle	± 5°			CUSTOMER NO.
				DK

REV.	UNIT	SCALE
A	mm	1:1



(Q2-R03-01A) ST-R05-07

REV.	DESCRIPTION	DATE
A	New Drawing	2022/05/26



RoHS compliant

Note: The quantity is estimated, please refer to actual shipment.

④	Outer box	<b>B-ZX-W-010-F001</b>	<b>1 PCS</b>	<b>10k PCS</b>
③	Inner box	<b>B-ZX-R-001-F001</b>	<b>4 PCS</b>	<b>2500 PCS</b>
②	PE bag	<b>B-PD-S-002-F001</b>	<b>20 PCS</b>	<b>500 PCS</b>
①	Product	<b>PH2.54 2*6PIN</b>	—	—
Serial number	Name	Specifications	Dosage of cladding material	Quantity installed

**Superior Tech Co., Ltd.**

General Tolerance		TITLE <b>PHED-RS012G1ABOGA-C006_Packing</b>		
X. ± 0.5		DRAWN	DATE	NO.
.X ± 0.3		Tom	2022/05/26	002
.XX ± 0.2		CHECK	DATE	PART NO.
.XXX ± 0.1				<b>PHED-RS012G1ABOGA-C006</b>
Angle	± 5°	APPROVED	DATE	CUSTOMER NO.
				<b>DK</b>

REV.	UNIT	SCALE	
A	mm	1:10	