

## Description

AP9106 is 8-Channel analog switch which is suitable for up to 6-Cells in serial Li+/Polymer battery pack application.

AP9106 has four logic selection inputs (A/B/C/D). When all logic pins are set low, no channel is selected and the chip is turned off with shutdown mode. The A, B, C and D selection pins are compatible with TTL/CMOS logic level, can be connected to MCU I/O port directly to select the right channel respectively. The VOUT is output pin to indicate exactly the voltage of each battery cell.

AUX7, AUX8 pins are auxiliary channels, which can be connected to the NTC resistor to transfer the voltage variation into VOUT pin.

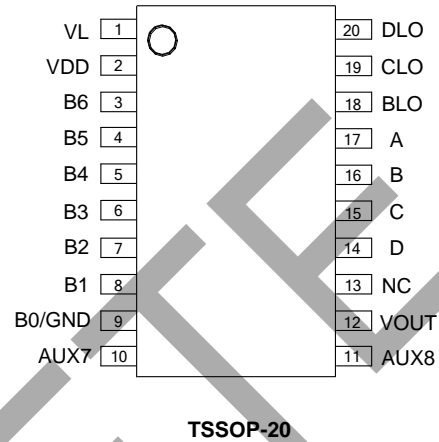
AP9106 is available in standard package of TSSOP-20.

## Features

- ±1% Matching Error between any 2 Channels
- Up to 6-Cells in Serial Li+/Polymer Battery Pack Application with Single Chip
- Up to 11-cell in Serial Li+/Polymer Battery Pack Application with Dual Chip
- Ultra Low Current in Shutdown Mode: 1.0µA
- Compatible with TTL/CMOS for Logic Level
- Logic Level Shift Transfer
- Small Package: TSSOP-20

## Pin Assignments

(Top View)

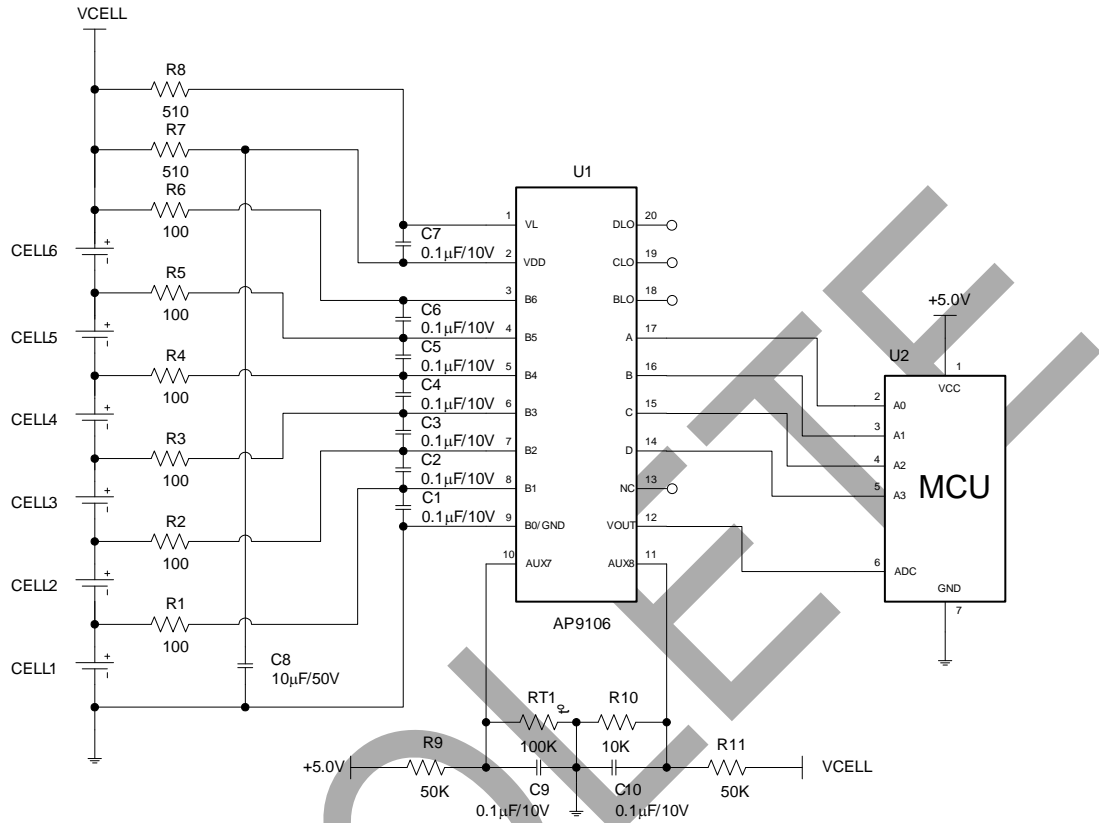


## Applications

- E-Bike Li+ Battery Pack
- Electric Tool Battery Pack

OBSOLETE

**Typical Applications Circuit**



6-cell Battery (Single Chip) Application for AP9106

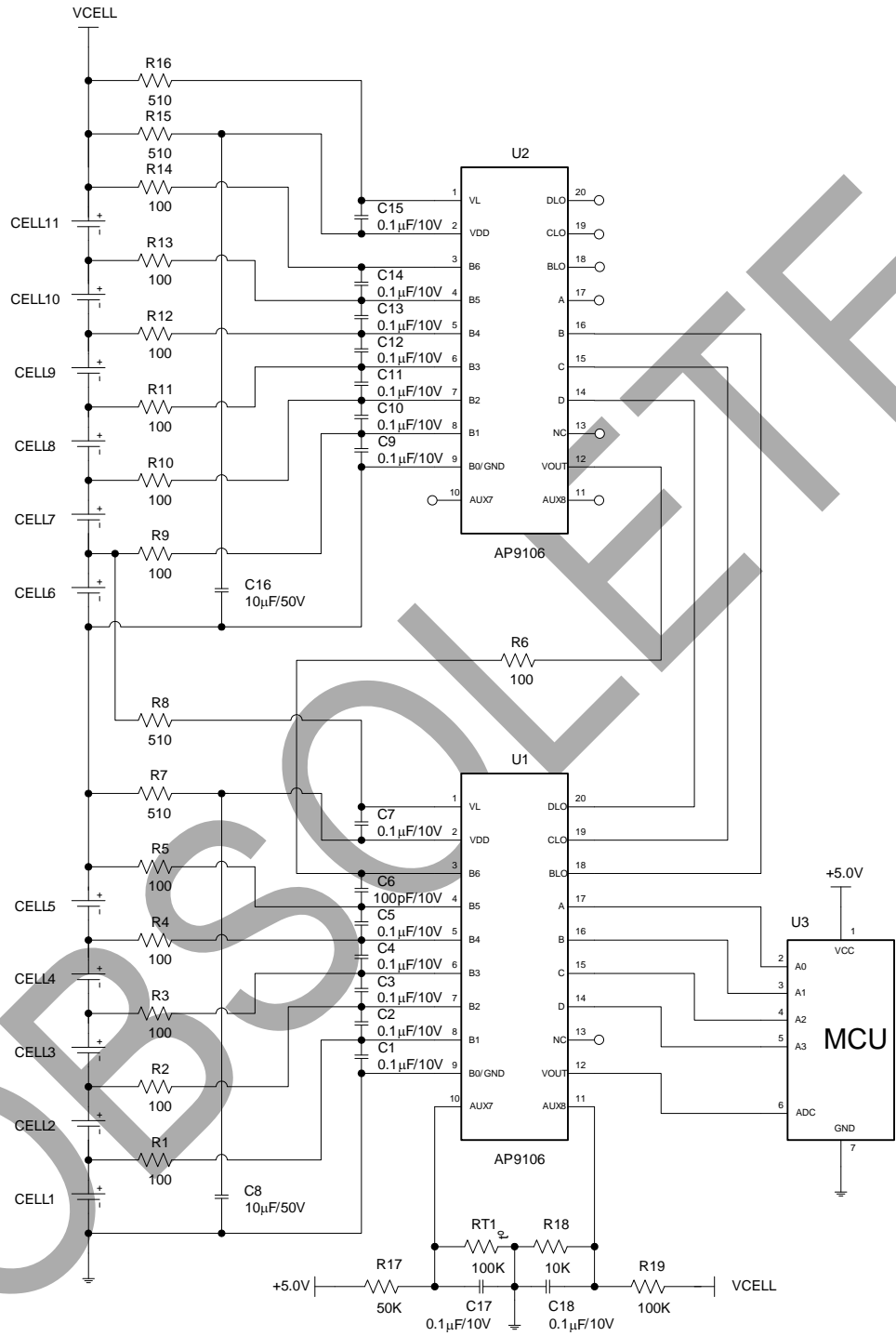
**Truth Table for 6-cell (Single Chip) Battery Application**

Logic Input				Active Channel	Output Voltage
A	B	C	D		
0	0	0	0	All channels OFF, chip is in shutdown mode	0V
0	0	0	1	QD1	VCELL1
0	0	1	0	QD2	VCELL2
0	0	1	1	QD3	VCELL3
0	1	0	0	QD4	VCELL4
0	1	0	1	QD5	VCELL5
0	1	1	0	QD6	VCELL6
0	1	1	1	QD7	VTEMP
1	0	0	0	QD8	VTCELL

OBSOLETE - PART DISCONTINUED

**Typical Applications Circuit (Cont.)**

OBSOLETE - PART DISCONTINUED



11-cell Battery (Dual Chips) Application for AP9106

### Truth Table for 11-cell (Dual Chips) Battery Application

Logic Input				Active Channel (Lower Chip)	Active Channel (Upper Chip)	Output Voltage
A	B	C	D			
0	0	0	0	All channels OFF, chip is in shutdown mode	All channels OFF, chip is in shutdown mode	0V
0	0	0	1	QD1	Shutdown mode	VCELL1
0	0	1	0	QD2	Shutdown mode	VCELL2
0	0	1	1	QD3	Shutdown mode	VCELL3
0	1	0	0	QD4	Shutdown mode	VCELL4
0	1	0	1	QD5	Shutdown mode	VCELL5
0	1	1	0	QD6	Shutdown mode	0V
0	1	1	1	QD7	Shutdown mode	VTEMP
1	0	0	0	QD8	Shutdown mode	VTCELL
1	0	0	1	QD6	QD1	VCELL6
1	0	1	0	QD6	QD2	VCELL7
1	0	1	1	QD6	QD3	VCELL8
1	1	0	0	QD6	QD4	VCELL9
1	1	0	1	QD6	QD5	VCELL10
1	1	1	0	QD6	QD6	VCELL11
1	1	1	1	QD6	QD7	—

OBSOLETE - PART DISCONTINUED

OBSOLETE

## Pin Descriptions

Pin Number	Pin Name	Function
1	VL	Level shift logic power supply
2	VDD	Power supply
3	B6	Positive node of sixth battery cell
4	B5	Positive node of fifth battery cell & negative node of sixth battery cell
5	B4	Positive node of fourth battery cell & negative node of fifth battery cell
6	B3	Positive node of third battery cell & negative node of fourth battery cell
7	B2	Positive node of second battery cell & negative node of third battery cell
8	B1	Positive node of first battery cell & negative node of second battery cell
9	B0(GND)	Ground and negative node of first battery cell
10	AUX7	Auxiliary channel 7
11	AUX8	Auxiliary channel 8
12	VOUT	Switch output pin
13	NC	No connected
14	D	Channel selection logic input D
15	C	Channel selection logic input C
16	B	Channel selection logic input B
17	A	Channel selection logic input A
18	BLO	Channel selection logic output B
19	CLO	Channel selection logic output C
20	DLO	Channel selection logic output D

Notes:

1. VDD pin should always be connected to the positive node of top battery.
2. Voltage of VL pin should be equal to or larger than that of VDD pin.

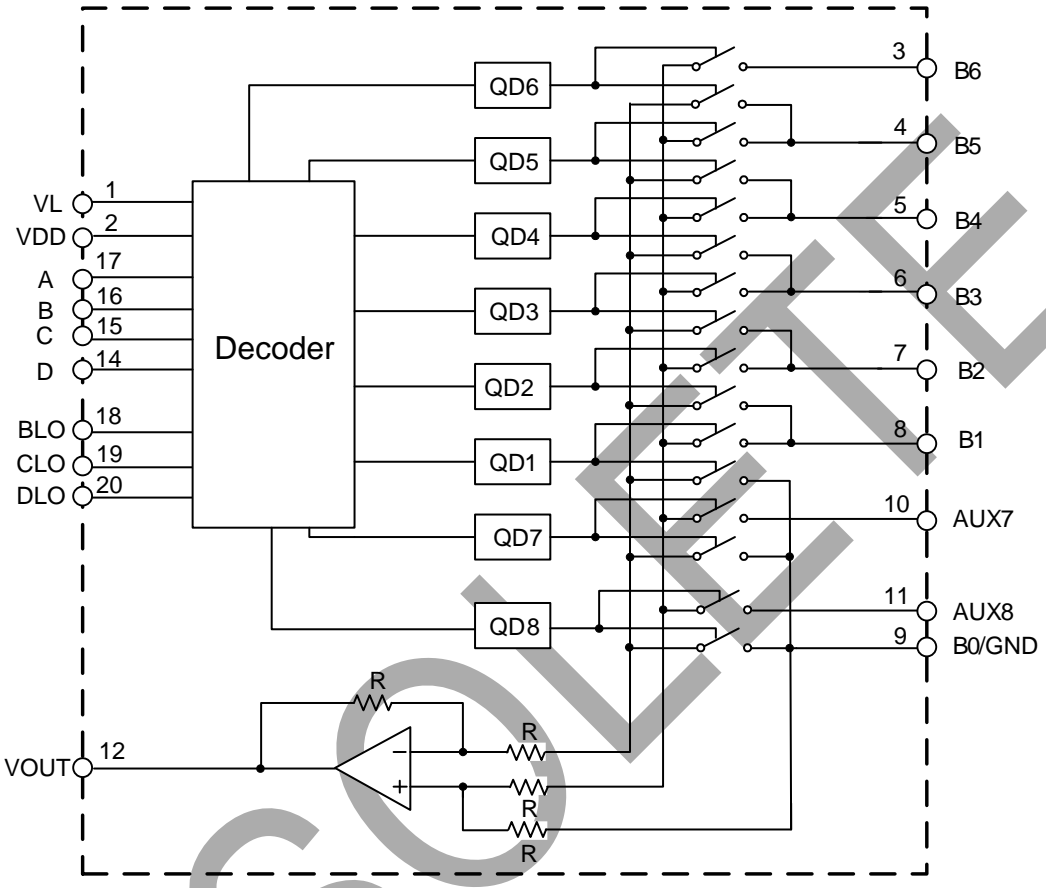
**Truth Table and Relationship between Input Logic, Output Logic and Selected Channel**

Logic Input				Logic Output			Active Channel	Output Voltage
A	B	C	D	BLO	CLO	DLO		
0	0	0	0	0	0	0	All channels OFF, chip is in shutdown mode	0V
0	0	0	1	0	0	0	QD1	B1 vs. B0(GND)
0	0	1	0	0	0	0	QD2	B2 vs. B1
0	0	1	1	0	0	0	QD3	B3 vs. B2
0	1	0	0	0	0	0	QD4	B4 vs. B3
0	1	0	1	0	0	0	QD5	B5 vs. B4
0	1	1	0	0	0	0	QD6	B6 vs. B5
0	1	1	1	0	0	0	QD7	AUX7 vs. GND
1	0	0	0	0	0	0	QD8	AUX8 vs. GND
1	0	0	1	0	0	1	QD6	B6 vs. B5
1	0	1	0	0	1	0	QD6	B6 vs. B5
1	0	1	1	0	1	1	QD6	B6 vs. B5
1	1	0	0	1	0	0	QD6	B6 vs. B5
1	1	0	1	1	0	1	QD6	B6 vs. B5
1	1	1	0	1	1	0	QD6	B6 vs. B5
1	1	1	1	1	1	1	QD6	B6 vs. B5

OBSOLETE - PART DISCONTINUED

OBSOLETE

**Functional Block Diagram**



OBSOLETE - PART DISCONTINUED

OBSOLETE

### Absolute Maximum Ratings (Note 3)

Symbol	Parameter	Rating	Unit
V <sub>DD</sub>	Supply Voltage	-0.3 to 35	V
V <sub>CELL</sub>	Voltage between B <sub>N</sub> and B <sub>N+1</sub> , AUX7/AUX8 and GND	-0.3 to 5	V
T <sub>J</sub>	Operating Junction Temperature Range	+150	°C
T <sub>STG</sub>	Storage Temperature Range	-65 to +150	°C
T <sub>LEAD</sub>	Lead Temperature (Soldering, 10sec)	+260	°C
θ <sub>JA</sub>	Thermal Resistance	80	°C/W
—	ESD (Machine Model)	200	V
—	ESD (Human Body Model)	2000	V

Note 3: Stresses greater than those listed under "Absolute Maximum Ratings" may cause permanent damage to the device. These are stress ratings only, and functional operation of the device at these or any other conditions beyond those indicated under "Recommended Operating Conditions" is not implied. Exposure to "Absolute Maximum Ratings" for extended periods may affect device reliability.

### Recommended Operating Conditions

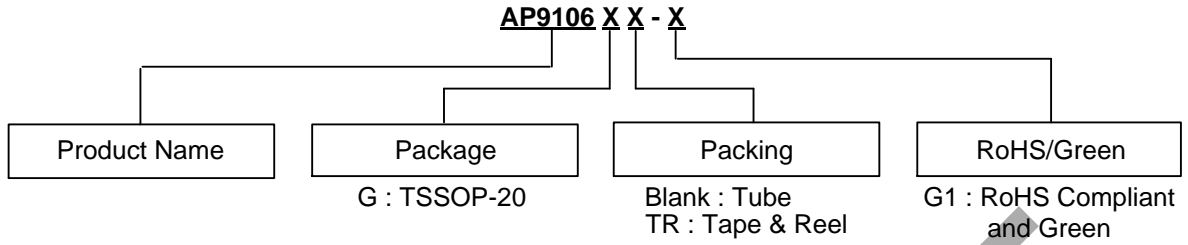
Symbol	Parameter	Min	Max	Unit
V <sub>DD</sub>	Supply Voltage	6.0	27	V
V <sub>CELL</sub>	Battery Cell Voltage	2.0	4.5	V
V <sub>IN</sub>	Input Voltage (B6 vs. B5, B5 vs. B4, B4 vs. B3, B3 vs. B2, B2 vs. B1, B1 vs. GND, AUX7/8 vs. GND)	2.0	4.5	V
T <sub>A</sub>	Operating Ambient Temperature	-40	+85	°C
V <sub>IL</sub> /V <sub>IH</sub>	Input Logic Level	0	5.0	V



**Electrical Characteristics** ( $V_{DD} = 21.6V$ ,  $V_L = V_{DD} + 4.4V = 26V$ ,  $T_A = +25^\circ C$ , **Bold** typeface applies over full temperature  $-40^\circ C \leq T_A \leq +85^\circ C$  ranges, unless otherwise specified)

Symbol	Parameter	Test Conditions	Min	Typ	Max	Unit
$V_{DD}$	Supply Voltage	—	6.0	—	27	V
$I_Q$	Quiescent Current	—	—	0.2	0.5	mA
$I_{SHUT}$	Shutdown Current	Set A, B, and C low	—	1.0	2.0	$\mu A$
<b>OPAMP Output Voltage</b>						
$V_{OS}$	Offset Voltage	Input DC voltage: 2.9V to 4.2V	-100	—	+100	mV
$V_{OL}$	Output Voltage Switching	—	2.0	—	—	V
$V_{OH}$		—	—	—	4.5	V
<b>Switch</b>						
$I_{BIAS}$	Bias Current	For B2, B3, B4, B5 and B6 Pin	—	10	15	$\mu A$
		For B1, AUX7, AUX8 Pin	—	—	1	
$E_{MATCH}$	Channel Matching Error between any 2 Channels	Set all channel DC: 2.9V to 4.2V, $T_A = -40$ to $+85^\circ C$ , $(V_{MAX} - V_{MIN}) / \text{average}(\text{CH1 to CH7})$	—	$\pm 1$	—	%
—	Channel Isolation	$f = 100\text{Hz}$	—	-80	—	dB
$V_{NO}$	Output Noise	$BW = 100\text{Hz}$ , CH1 to CH7, DC input: 2.9V to 4.2V	—	50	—	$\mu V_{RMS}$
$t_{SET}$	Channel Switching & Set-up Time	—	—	1.0	—	ms
<b>Logic Input (Voltage Mode)</b>						
$V_{IH}$	Logic Input High Level	A, B, C, D	1.0	—	5.0	V
$V_{IL}$	Logic Input Low Level	A, B, C, D	0	—	0.6	V
$I_L$	Input Leakage Current	Set A, B, C, D low	—	—	1.0	$\mu A$
$R_{PULL-DOWN}$	Pull Down Resistor	A, B, C, D	—	1.0	—	M $\Omega$
<b>Logic Output (Voltage Mode)</b>						
$V_{OL}$	Logic Input Low Level	BLO, CLO, DLO	—	$V_{DD}$	—	V
$V_{OH}$	Logic Input High Level	BLO, CLO, DLO	—	$V_L$	—	V

**Ordering Information**



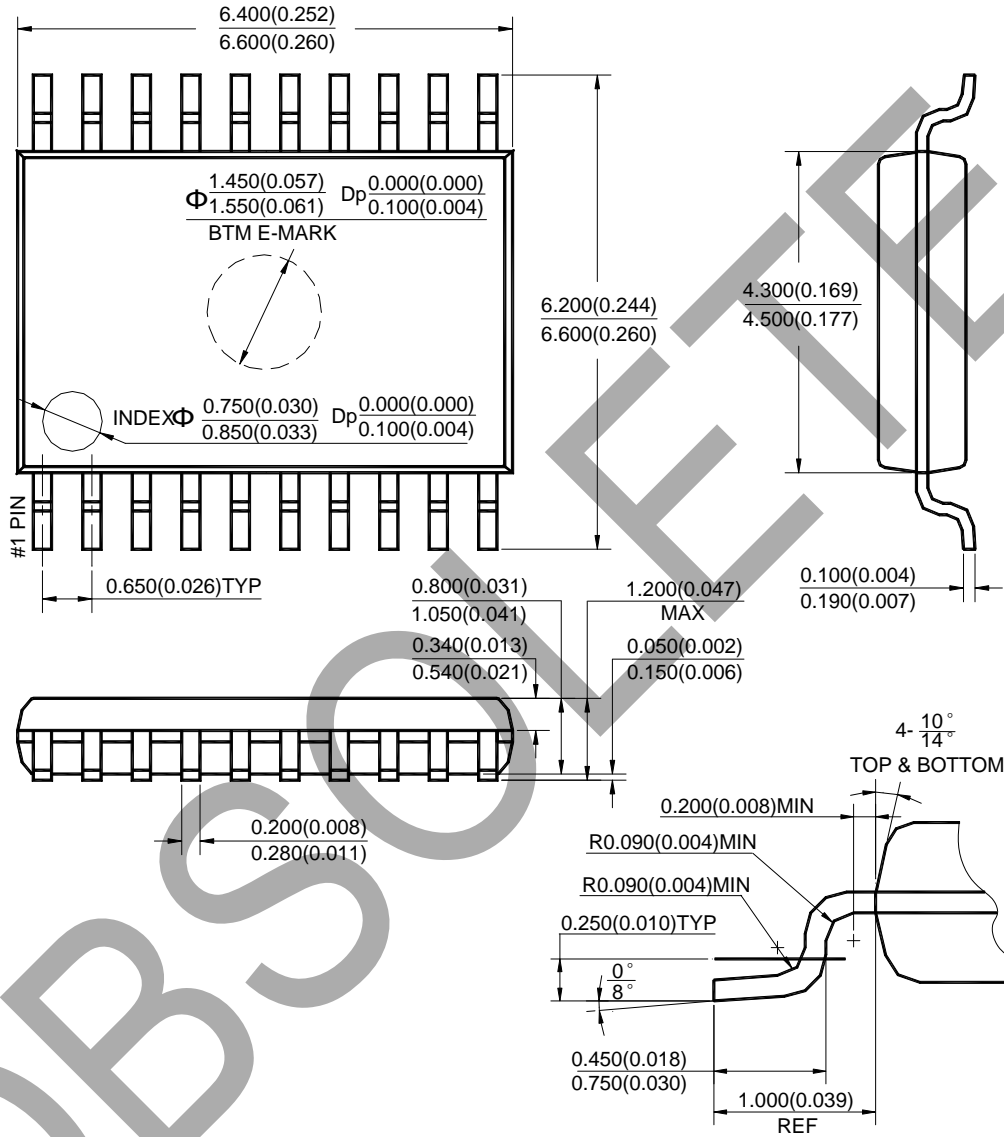
Package	Temperature Range	Part Number	Marking ID	Packing
TSSOP-20	-40 to +85°C	AP9106G-G1	AP9106GG	Tube
		AP9106GTR-G1	AP9106GG	Tape & Reel

OBSOLETE

OBSOLETE - PART DISCONTINUED

**Package Outline Dimensions** (All dimensions in mm(inch).)

(1) Package Type: TSSOP-20



Note: Eject hole, oriented hole and mold mark is optional.

OBSOLETE - PART DISCONTINUED

**IMPORTANT NOTICE**

DIODES INCORPORATED MAKES NO WARRANTY OF ANY KIND, EXPRESS OR IMPLIED, WITH REGARDS TO THIS DOCUMENT, INCLUDING, BUT NOT LIMITED TO, THE IMPLIED WARRANTIES OF MERCHANTABILITY AND FITNESS FOR A PARTICULAR PURPOSE (AND THEIR EQUIVALENTS UNDER THE LAWS OF ANY JURISDICTION).

Diodes Incorporated and its subsidiaries reserve the right to make modifications, enhancements, improvements, corrections or other changes without further notice to this document and any product described herein. Diodes Incorporated does not assume any liability arising out of the application or use of this document or any product described herein; neither does Diodes Incorporated convey any license under its patent or trademark rights, nor the rights of others. Any Customer or user of this document or products described herein in such applications shall assume all risks of such use and will agree to hold Diodes Incorporated and all the companies whose products are represented on Diodes Incorporated website, harmless against all damages.

Diodes Incorporated does not warrant or accept any liability whatsoever in respect of any products purchased through unauthorized sales channel. Should Customers purchase or use Diodes Incorporated products for any unintended or unauthorized application, Customers shall indemnify and hold Diodes Incorporated and its representatives harmless against all claims, damages, expenses, and attorney fees arising out of, directly or indirectly, any claim of personal injury or death associated with such unintended or unauthorized application.

Products described herein may be covered by one or more United States, international or foreign patents pending. Product names and markings noted herein may also be covered by one or more United States, international or foreign trademarks.

This document is written in English but may be translated into multiple languages for reference. Only the English version of this document is the final and determinative format released by Diodes Incorporated.

**LIFE SUPPORT**

Diodes Incorporated products are specifically not authorized for use as critical components in life support devices or systems without the express written approval of the Chief Executive Officer of Diodes Incorporated. As used herein:

A. Life support devices or systems are devices or systems which:

1. are intended to implant into the body, or
2. support or sustain life and whose failure to perform when properly used in accordance with instructions for use provided in the labeling can be reasonably expected to result in significant injury to the user.

B. A critical component is any component in a life support device or system whose failure to perform can be reasonably expected to cause the failure of the life support device or to affect its safety or effectiveness.

Customers represent that they have all necessary expertise in the safety and regulatory ramifications of their life support devices or systems, and acknowledge and agree that they are solely responsible for all legal, regulatory and safety-related requirements concerning their products and any use of Diodes Incorporated products in such safety-critical, life support devices or systems, notwithstanding any devices- or systems-related information or support that may be provided by Diodes Incorporated. Further, Customers must fully indemnify Diodes Incorporated and its representatives against any damages arising out of the use of Diodes Incorporated products in such safety-critical, life support devices or systems.

Copyright © 2019, Diodes Incorporated

[www.diodes.com](http://www.diodes.com)