

PRODUCT DATA DRAWING

REVISION HISTORY			
REV	DESCRIPTION	DATE	APPROVED
-	DCN 52286	01/23	SEE PDM

MATERIAL:

BODY, &
COUPLING NUT:

STAINLESS STEEL PER AMS 5640,
ALLOY UNS S30300, TYPE 1
OR ASTM A582 TYPE 303

CONTACT:

BERYLLIUM COPPER PER ASTM B196,
ALLOY No. UNS C17300, TD04.

LOCK RING:

BERYLLIUM COPPER PER ASTM B194, B196 OR B197,
ALLOY No. UNS C17200 OR C17300.

INSULATOR:

PTFE PER ASTM D1710, TYPE I, GRADE 1, CLASS B.

GASKET:

SILICONE RUBBER PER A-A-59588,
CLASS 2B, GRADE 60/70.

FINISH:

COUPLING NUT:

PASSIVATED PER AMS 2700

BODY:

GOLD PER ASTM B 488, TYPE I,
CODE C, CLASS 1.27, OVER NICKEL
PER AMS-QQ-N-290, CLASS 1, .00015" MIN.

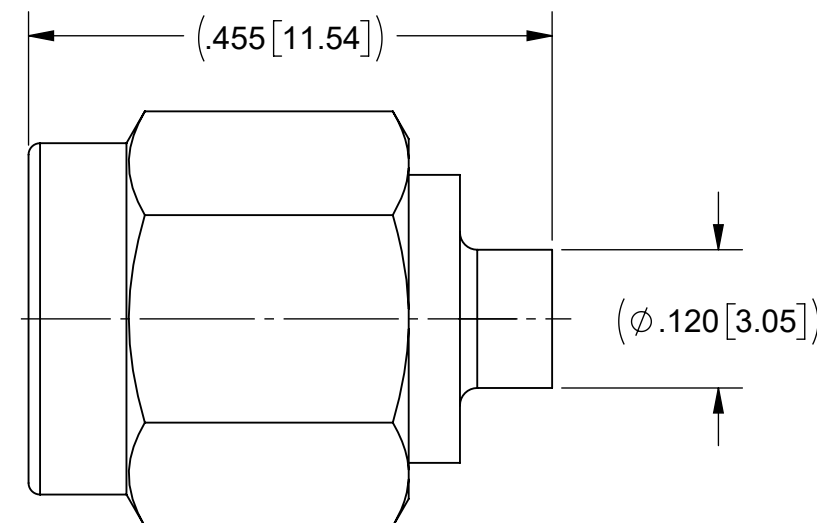
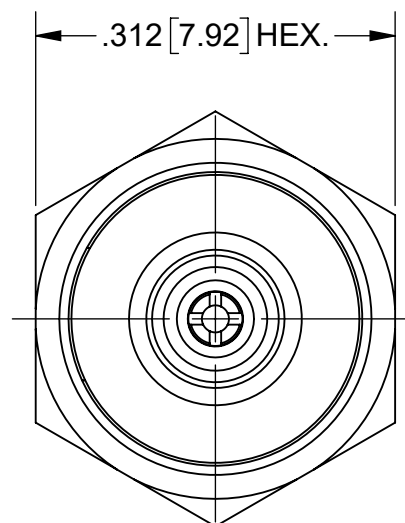
CONTACT:


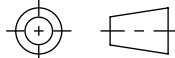
GOLD PER ASTM B488, TYPE II,
CODE C, CLASS 1.27, OVER NICKEL
PER AMS-QQ-N-290, CLASS 1, .00005" MIN.

PERFORMANCE:

IMPEDANCE:
FREQ. RANGE:

50 OHMS
DC TO 18.0 GHz.



MATERIAL: SEE NOTES	DIMENSIONS ARE IN INCHES TOLERANCES: FRACTIONAL: ±1/64 ANGULAR: X° ±1'0" X'X' ±15'	UNLESS OTHERWISE SPECIFIED 1) ALL DIMENSIONS ARE IN INCHES (MILLIMETERS) 2) ALL DIMENSIONS ARE AFTER PLATING. 3) BREAK CORNERS & EDGES .005 R. MAX. 4) CHAM. 1ST & LAST THREADS. 5) SURFACE ROUGHNESS 63-MIL-STD-10. 6) DIA.'S ON COMMON CENTERS TO BE CONCENTRIC WITHIN .005 T.I.R. 7) REMOVE ALL BURRS	 www.svmicrowave.com TITLE: SMA PLUG SOLDER-ON FOR .085 SEMI-RIGID CABLE
FINISH: SEE NOTES	DECIMAL: X ±.030 .XX ±.010 .XXX ±.005	INTERPRET DIMENSIONS AND TOLERANCES PER ASME Y14.5M - 1994	
SURFACE AREA: N/A	THIRD ANGLE PROJECTION	DRAWN: CVL 01/26/23	SIZE DWG. NO. B M39012/79-3107
PROPRIETARY THE INFORMATION CONTAINED IN THIS DRAWING IS THE SOLE PROPERTY OF SV MICROWAVE, INC. ANY REPRODUCTION IN PART OR AS A WHOLE WITHOUT THE WRITTEN PERMISSION OF SV MICROWAVE, INC IS PROHIBITED.		CHECKED: SEE PDM	SCALE: 4:1
		APPROVED: SEE PDM	SHEET 1 OF 1