

Document	Product specifications	Mark-number : 151— GT—082
Product	EPL1802S2	34— 1 Revision-number:0

TABLE OF CONTENTS

1. Cautions	-----3
1-1. Safe operation	-----3
1-1-1. The thermal head	-----3
1-1-2. The motor	-----3
1-1-3. Others	-----3
1-2. Precautions in use	-----4
1-2-1. The thermal head	-----4
1-2-2. The motor	-----4
1-2-3. The recording paper	-----5
1-2-4. Printer installation, Case design	-----6
1-2-5. The FPC and connector	-----7
1-2-6. The power supply	-----7
1-2-7. Environment and printing condition	-----7
1-2-8. Storage, Maintain	-----8
1-2-9. The product and the specification	-----9
 2. General specification	 -----10
 3. Recording paper	 -----12
 4. Reliability characteristics	 -----12
 5. Quality of printing	 -----13
 6. Thermal head specifications	 -----14
6-1. The structure of a head	-----14
6-2. Head rank	-----15
6-3. General specification	-----16
6-4. Electric characteristics	-----17
6-4-1. Electric characteristics	-----17
6-4-2. Timing chart	-----18
6-5. Applied pulse width control	-----19
6-5-1. Standard applied energy	-----19
6-5-2. Pulse width calculation	-----19
6-5-3. Printing cycle correction	-----19
6-5-4. Divided correction	-----20
6-5-5. Simultaneous coloring correction	-----20
6-5-6. Energy adjustment for various kinds of paper	-----20
6-5-7. Double(2PLY) paper control	-----21
6-6. Precautions in use	-----22
6-6-1. Electric precautions	-----22
6-6-2. Mechanical precautions	-----22
6-6-3. Recommended driving circuit conditions	-----22

Note.		Format No. FORM1061. JBW
Established MAR/23/99	Information Systems Div.	In charge of : <i>K. Toyota</i>
Enforced MAR/24/99		Checked by : <i>S. Shiraga</i>
		Manager : <i>T. Tanaka</i>
		General Manager : _____

Document	Product specifications	Mark-number : 151— GT—082
Product	EPL1802S2	34— 2 Revision-number:0

7. Stepping motor specifications	-----23
7-1. Basic specifications	-----23
7-2. How to operate the motor	-----23
7-2-1. General	-----23
7-2-2. Example of driving circuit	-----24
7-2-3. Excitation method for the stepping motor	-----25
7-2-4. Slow-up and the standard frequency of the motor	-----26
7-2-5. Division correction of the motor frequency at the dynamic division printing	-----27
7-3. Thermistor characteristics	-----28
8. Sensors	-----29
8-1. Recommended circuit	-----29
8-2. Application of paper end sensor (Automatic paper loading)	-----30
9. Connection	-----31
9-1. Matching connector	-----31
9-2. Pin layout for FPC	-----32
9-2-1. Head FPC	-----32
9-2-2. Motor FPC	-----32
9-2-3. Sensor FPC	-----32
10. Timing chart of the printer	-----33
11. Printer appearance drawing	-----34

Note	Format No. FORM1062. JBW
Established MAR/23/99	Information Systems Div.
Enforced MAR/24/99	

Document	Product specifications	Mark-number : 151— GT—082
Product	EPL1802S2	34— 3 Revision-number:0

1. Cautions

1-1. Safe operation

In case of operating this printer, keep following items for safety.

1-1-1. The thermal head

- (1). The temperature of the thermal head becomes high, so do not touch the thermal head or the thermal head supporting part (heat spreader) while printing or just after operation. Pay attention at maintenance or replacing the recording paper, too.
- (2). When the thermal head falls into continuous ON state for some trouble, it may cause smoke or catch fire from the paper by the temperature of the thermal head. Or the power supply may be influenced by deformed or shorten FPC because of the high temperature.

To avoid above situation, follow the followings to turn off the power immediately when the thermal head falls into continuous ON state.

- ① The thermal head has a thermistor to detect temperature.
Design a protecting circuit not to be operated at out of specified temperature range.
- ② Design the circuit to cut off the power when the thermistor is SHORT or OPEN.

1-1-2. The motor

- (1). The temperature of the motor and the motor supporting parts become high, so do not touch the motor and the motor supporting parts while printing or just after operation.
- (2). When the motor falls into continuous driven state by some trouble, it may cause smoke or catch fire. When the motor is locked by PAPER JAMMING or being put foreign substances to gears, it may cause a burn by over heated motor or a breaking gears.

In order to avoid the danger case as mentioned above, equip the protection method in the sets in which the printer is installed as follows.

This printer has a thermistor to detect a motor temperature. Design a protecting circuit in order to protect into operate at out of specified temperature range.

Design the circuit to cut off the power when detecting the thermistor SHORT or OPEN.

- (3). Design the protection circuit to avoid continuous driven state because of CPU trouble.

1-1-3. OTHERS

- (1). Do not put in liquid like water or conductive material like metal.
It may cause that thermal head will be broken or power supply will be shorten and occur smoke or catch fire.
- (2). Do not put fingers and so on into rotating gears. Fingers may be injured.
- (3). Be careful not to touch the edges (especially heat spreader of the head).
The sharp cut edges can scratch person's fingers.
- (4). If it happens trouble for the worst, TURN OFF the power.

Note	Format No. FORM1062. JBW
Established MAR/23/99	Information Systems Div.
Enforced MAR/24/99	

Document	Product specifications	Mark-number : 151— GT—082
Product	EPL1802S2	34— 4 Revision-number:0

1-2. Precautions in use

1-2-1. The thermal head

- (1). The life of the thermal head may become shorter, if oil of finger etc. sticks to the head. In case oils or foreign substances stick to the head, clean up the thermal head immediately. SEE 1-2-8. Maintain
- (2). To protect the thermal head or thermal head driver, detect the temperature by the thermistor, located on the head and do not operate the thermal head at 70°C or higher temperature.
- (3). Do not apply the energy to the head, when the thermistor is opened.
- (4). The thermal head may be corroded, by following conditions.
 - ① Much ions included in the recording paper
 - ② High humidity or dew condensed condition
 - ③ Power applied to the thermal head
 Therefore keep followings.
 - Cut off the power to the thermal head when the printer is not operating.
 - Use dry recording paper, because wet paper makes poor printing quality and it causes corrosion of the thermal head.
- (5). Use the thermal head at the specified voltage and pulse width. or deterioration in the printing quality or damage to the head may be caused.

1-2-2. The motor

- (1). Temperature of the motor becomes high. Pay attention to design the case of system around the motor radiation, distance between motor and case, case material, etc.
- (2). The surface temperature of the motor should be under 80°C. This printer has a thermistor to detect a motor temperature.
- (3). Stop the operation when the motor is locked mechanically because of paper jamming etc. The lock may cause abnormal high temperature of the motor or broken gears.
- (4). Design the circuit to cut off the power if it happens that motor is locked electrically.
- (5). To avoid the abnormal high temperature of the motor, do not supply the power to the motor except printing or feeding operation.

Note		Format No. FORM1062. JBW
Established MAR/23/99	Information Systems Div.	
Enforced MAR/24/99		

Document	Product specifications	Mark-number : 151— GT—082	
Product	EPL1802S2	34— 5	Revision-number:0

1-2-3. The recording paper

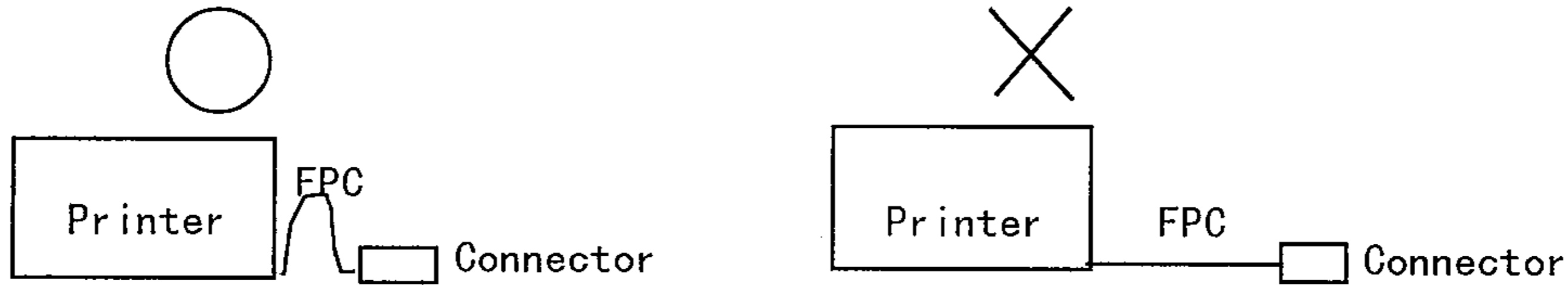
- (1). This printer's specification is guaranteed under the recommended paper.
 Use the recommended paper.
 Un-recommended papers may cause the poor printing and get worse the reliability of the printer.
 To use un-recommended papers, evaluate sufficiently before mass-production.
- (2). Pay attention that the recommended paper has restriction of operating environment or depend on each paper's characteristics.
- (3). Evaluate the paper sufficiently before mass-production to use perforation or the roll paper cored side in.
 Printing quality and output level of paper end sensor will be influenced by direction of the flash, or stiffness of perforation.
- (4). Be careful of the stock and treating of recording paper.
 - Do not store the paper at high temperature & humidity, because it may be colored itself at over 60° C.
 - Store the paper at cool & dark place. Do not store long time in direct sunlight condition.
 - Discoloring may be caused by ESTER ERASER, TAPE ADHESIVE, PLASTIC FILM include PLASTICIZER.
 - Coloring may be caused by facing to ORGANIC SOLVENT or diazo-copy, nail scratching.

Note		Format No. FORM1062. JBW
Established MAR/23/99	Information Systems Div.	
Enforced MAR/24/99		

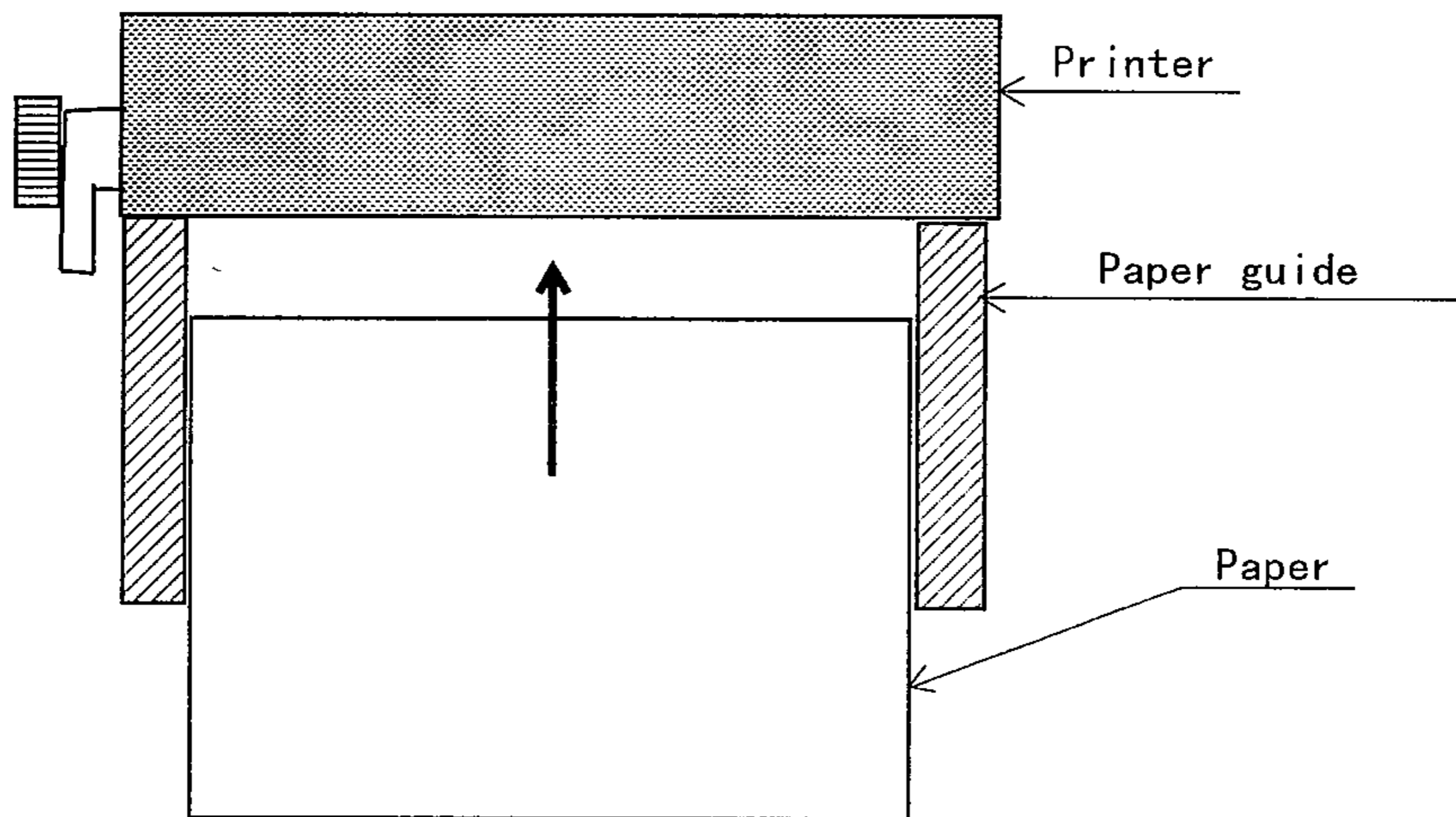
Document	Product specifications	Mark-number : 151— GT—082
Product	EPL1802S2	34— 6 Revision-number:0

1-2-4. Printer installation, Case design

- (1). Mounting the FPC in stretch condition, causes poor printing quality.
Design the connector position to give the slack to the FPC.



- (2). If static electricity is applied to the printer, the thermal head may be damaged.
To avoid this, connect the METAL PLATE to the frame ground of the main unit.
See 11. Printer appearance drawing.
- (3). Take measures in designing so as to minimize the lateral position deviation of the paper holder from the paper inlet of the printer. In case of using roll paper, hold the paper so that the roll core (BAR) of the paper is parallel to the printer, or it may cause paper skew or jamming.



- (4). At fixing, be careful not to apply the excessive force or torsion to the printer main body.
Deformation or torsion may cause the poor printing quality, paper skew, paper jamming.
Design the flatness of the printer mounting spot less than 0.2mm.
- (5). Using of cushion rubber on the printer installing position reduces the running noise level.
- (6). Design the case not to re-enter the paper to the printer (PLATEN).
See 11. Printer appearance drawing.
- (7). This printer does not have the special structure of guard against dust or water.
Design the case suitably.
- (8). Metal Parts (ESPECIALLY CUT EDGES) may gather rust.
Design the case not to spoil the beauty of the design.

Note		Format No. FORM1062. JBW
Established MAR/23/99	Information Systems Div.	
Enforced MAR/24/99		

Document	Product specifications	Mark-number : 151— GT—082
Product	EPL1802S2	34— 7 Revision-number:0

1-2-5. The FPC and CONNECTOR

- (1). When the FPC is put on to a connector or pulled out from a connector, cut off the power.
- (2). Pay attention to the contact face direction and put the FPC completely.
- (3). Use the recommended connector.
Evaluate the specifications (POWER RATING, CONTACT RESISTANCE, WITHDRAWING FORCES etc.), when using un-recommended connector.
- (4). Do not bend FPC because FPC may be broken.

1-2-6. The power supply

- (1). Power ON/OFF order
If an abnormal pulse is applied to the thermal head at power ON/OFF, the head may be destroyed.
To avoid this, the special attention shown below shall be paid to the circuit so that no abnormal pulses are applied to the thermal head.

AT POWER ON : LOGIC	(V _{dd}) ON	→	THERMAL HEAD (VP)	ON
AT POWER OFF: THERMAL HEAD (VP)	OFF	→	LOGIC	(V _{dd}) OFF
- (2). Use the power supply which has enough capacity.
The power supply which does not have enough capacity may cause poor printing quality.
- (3). To operate by BATTERY, pay attention to voltage drop by internal resistance and upper/lower limit voltage of BATTERY.

1-2-7. Environment and printing condition

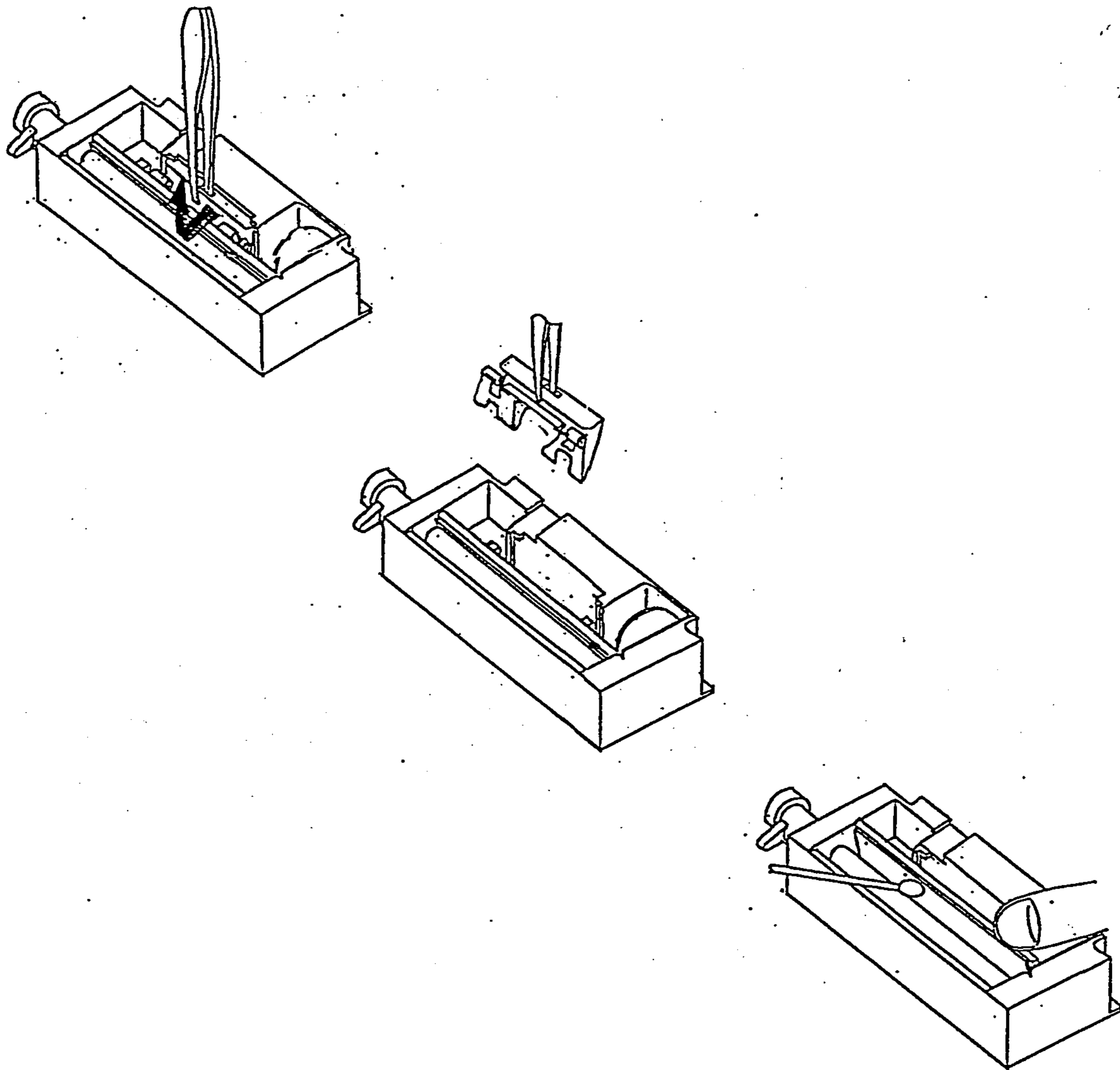
- (1). Avoid a dusty place.
- (2). Avoid the place near the machine that occurs large radiation noise.
EXAMPLE : HIGH VOLTAGE EQUIPMENT, LARGE SIZED MOTOR
- (3). Operate the printer with the paper and head down condition.
Operating it without paper may cause poor printing quality and trouble of gear parts etc.
- (4). Operating it with head up condition may cause breakdown of the thermal head.
To avoid this, the UP/ DOWN state of the head is detected with mechanical contact switch.
- (5). For proper operation, storage and operating environment should not contain corrosive gases.
For example H₂S, SO₂, NO₂, Cl₂ etc. In addition storage environment should not have materials that emit corrosive gases especially from silicic, formalin and phenol group.

Note	Format No. FORM1062. JBW
Established MAR/23/99	Information Systems Div.
Enforced MAR/24/99	

Document	Product specifications	Ma5k-number : 151— GT—082
Product	EPL1802S2	34— 8 Revision-number:0

1-2-8. Storage, Maintain

(1). How to clean up the thermal head



- Pay attention not to scratch the surface of the thermal head and platen.
- Clean up the thermal head by cotton bar with METHANOL or IPA.
- Insert the paper after drying up the thermal head completely.

- (2). Keep the head in down state during transportation or long term storage.
 If in the head up state, the frame is being forced by the head spring for a long time, it may be deformed, and printing quality may be degenerated.
 Cut off the power supply to the head as long as the long term storage with a thermal printer.
- (3). When handling the printer, do not touch the FPC terminal, because the LSI is used in the head.
 Wear the earthband while handling.
- (4). Avoid to storage at the place where are much dust or occur the condensed dew.
- (5). Any SERVICE PARTS is not provided for this product.

Note	Format No. FORM1062. JBW
Established MAR/23/99	Information Systems Div.
Enforced MAR/24/99	

Document	Product specifications	Mark-number : 151-- GT--082	
Product	EPL1802S2	34-- 9	Revision-number:0

1-2-9 The product and the specification

- (1). The design and the specifications of the document may be changed for improvement without prior notification. However, we shall in advance notify you of the changes that may affect the specifications of your products.
- (2). Please be noted in advance that we shall bear no responsibility regarding violation of rights such as intellectual property possessed by the third person occurring by use of information and drawings contained in these specifications for anything other than this product.
We shall not guarantee that information and drawings contained in these specifications do not violate rights of intellectual property possessed by the third person except for cases in which there is a written agreement between a customer and this company.
- (3). Any part or whole of this document shall not be reproduced or copied without prior consent of us.
- (4). In case of any trouble, both parties shall discuss them based on the items mentioned in this document. The warranty relating to these troubles shall be limited only to the printer.
- (5). In the event of troubles attributable to the defects of our product, the remedies of us shall be limited to the cost of those specified products.
- (6). Applicability of rule or standard to this printer shall be concerned by customer side. If you can not accept, please inform us.
- (7). The warranty period on the printer is fifteen(15)months after being produced in Japan CBM Corporation.

No warranty is provided on any troubles beyond this period of time, or on troubles attributable to user's negligence even during the warranty period.

Note		Format No. FORM1062. JBW
Established MAR/23/99	Information Systems Div.	
Enforced MAR/24/99		

Document	Product specifications	Mark-number : 151-- GT-082
Product	EPL1802S2	34-10 Revision-number:0

2. General specifications

(At 25±5°C, 60±15%RH)

(Vp: Supplied voltage to head, motor)

Item	Specification	Remark	
Printing method	Direct thermal, line-dot printing		
Paper width	58 ⁺⁰ ₋₁ mm		
Effective printing width	48 mm		
Total number of dots	384 dots/line		
Head density	8 dots/mm		
Maximum printing speed	450 dot-line/s max.	at Vp=7.2V or more, 20°C or more 64 dots coloring (standard thermal paper)	
Number of dots colored at the same time	64 dots max.	For more than 64 dots divide printing is needed.	
Horizontal dot pitch	0.125 mm		
Vertical dot pitch	0.125 mm	One dot paper-feed pitch	
Vertical dot pitch accuracy	±0.1 mm/line max.	Vp=7.2V, f=1800pps	
Cumulative paper-feed accuracy	± 2 %		
Minimum paper-feed pitch	0.03125 mm	By motor 1 step feeding	
Detecting function	Head temperature	Detect by thermistor installed in the head	
	Motor temperature	Detect by thermistor	
	Paper absence	Detect by reflection type photo reflector	
	Head raise	Detect by mechanical switch	
Operating voltage	Vp (for head, motor)	DC 4.2V - 8.5V Ni-MH, Ni-Cd battery : 4 cells - 6 cells Li-ion battery : 2 cells	
	Vdd system (for logic)	DC 5 V±8% For head driver IC and sensors	
Current consumption	Head (In case of coloring 64 dots at the same time)	2.7 A max.	At Vp=7.2V and minimum resistance
		Average 1.3 A	At Vp=7.2V, 170Ω, 25°C, 450DL/s and standard thermal paper.
	Motor	0.9 A max.	
		Average 0.50 A	At Vp=7.2V, f=1800PPS

Note		Format No. FORM1062. JBW
Established MAR/23/99	Information Systems Div.	
Enforced MAR/24/99		

Document	Product specifications	Mark-number : 151—GT—082	
Product	EPL1802S2	34—11	Revision-number:0

Paper feeding force	0.75 N {77 gf} min	Vp=7.2V, f=1800pps		
Paper holding force	2 N {204 gf} min			
Running noise	55 dB max.	Measured at 1 meter distance, A curve, slow. (Vp=7.2V, f=1800pps)		
Weight	38 g			
External dimensions	72 × 32 × 15 mm	Except the paper feeding knob, release lever, and FPC.		
Life *1	Pulse life : MCTF 1×10 ¹¹ pulses Wear resistance: 50 km (Printing rate: 12.5%) (Definition) The change of resistance rate: 15% max. ※In case of 2ply paper printing, the actual pulse life corresponds to about 5×10 ⁷ pulses due to color 2 times in a row at the same dot-line position, because it is required to supply about 2 times higher energy than requirement energy for standard thermal paper.	Rated energy (Vp=7.2V). Recommended recording paper.		
Mechanical characteristics	Release lever operating force	5 N {510 gf} max.		
	Number of release lever operations	30000 times min.		
	Handle turning torque	30 mN·m {306 gf·cm} max.	Recording paper kept free.	
	Paper loading method	manual loading		
		automatic loading		
	Paper feed direction	forward		
Continuous operation time	It depends on operating condition. (Limitation; Head temp. 70°C max. Motor temp. 80°C max.)			

*1 TEST PRINT PATTERN
12.5% ZEBRA pattern

↑
paper feed

·1	·9	· · ·	377·
·2	·10	· · ·	378·
·3	·11	· · ·	379·
·4	·12	· · ·	380·
·5	·13	· · ·	381·
·6	·14	· · ·	382·
·7	·15	· · ·	383·
·8	·16	· · ·	384·

Note	Format No. FORM1062. JBW
Established MAR/23/99	Information Systems Div.
Enforced MAR/24/99	

Document	Product specifications	Mark-number : 151— GT—082
Product	EPL1802S2	34—12 Revision-number:0

3. Recommended thermal paper

Type	Recommended paper (paper width: 58 ⁺⁰ ₋₁ mm)
Standard thermal paper	Nippon paper (Jujo Seishi) : TF50KS-E2
High preservation thermal paper	Mitsubishi Seishi : AFP235
Double paper (2ply)	Fujicopian : TCC

Un-recommended paper may get worse the reliability of the thermal head.
 And it may cause the poor printing (for example sticking).
 To use un-recommended paper, evaluate sufficiently before mass-production.

4. Reliability characteristics

Item	Conditions	Remarks
Operating environment	Temperature : -5°C to +50°C Humidity : 35 to 85% RH ※ Double paper TCC : 5~40°C, 45~85 %RH Wet-bulb temperature shall be below 37.5°C. No dew allowed.	After 3 hours of storage under these conditions, no malfunction shall occur. (Printing quality is reliable from 0°C to 40°C.)
Storage environment	Temperature: -25°C to +70°C Humidity: 5 to 90% RH No dew allowed.	After the printer is stored for 72 hours under these conditions and is allowed to stand for 2 hours at normal temperature and humidity, no malfunction shall occur during operation. The storage test shall be conducted with the head kept up. There shall be no condensation. The recording paper shall be excluded.
Vibration resistance	At operation: 3.92m/s ² , 5 to 100 Hz in frequency, 3 directions perpendicular to one another, 15 minutes for each direction At non-operation: 9.8m/s ² , 5 to 100 Hz in frequency, 3 directions perpendicular to one another, 1 hour for each direction	After testing under these conditions, no malfunction shall occur.
Impact resistance	588m/s ² , 11 ms 6 directions, 1 time for each direction	After testing under these conditions, no malfunction shall occur.

Note		Format No. FORM1062. JBW
Established MAR/23/99	Information Systems Div.	
Enforced MAR/24/99		

Document	Product specifications	Mark-number : 151—GT—082
Product	EPL1802S2	34—13 Revision-number:0

5. Quality of printing

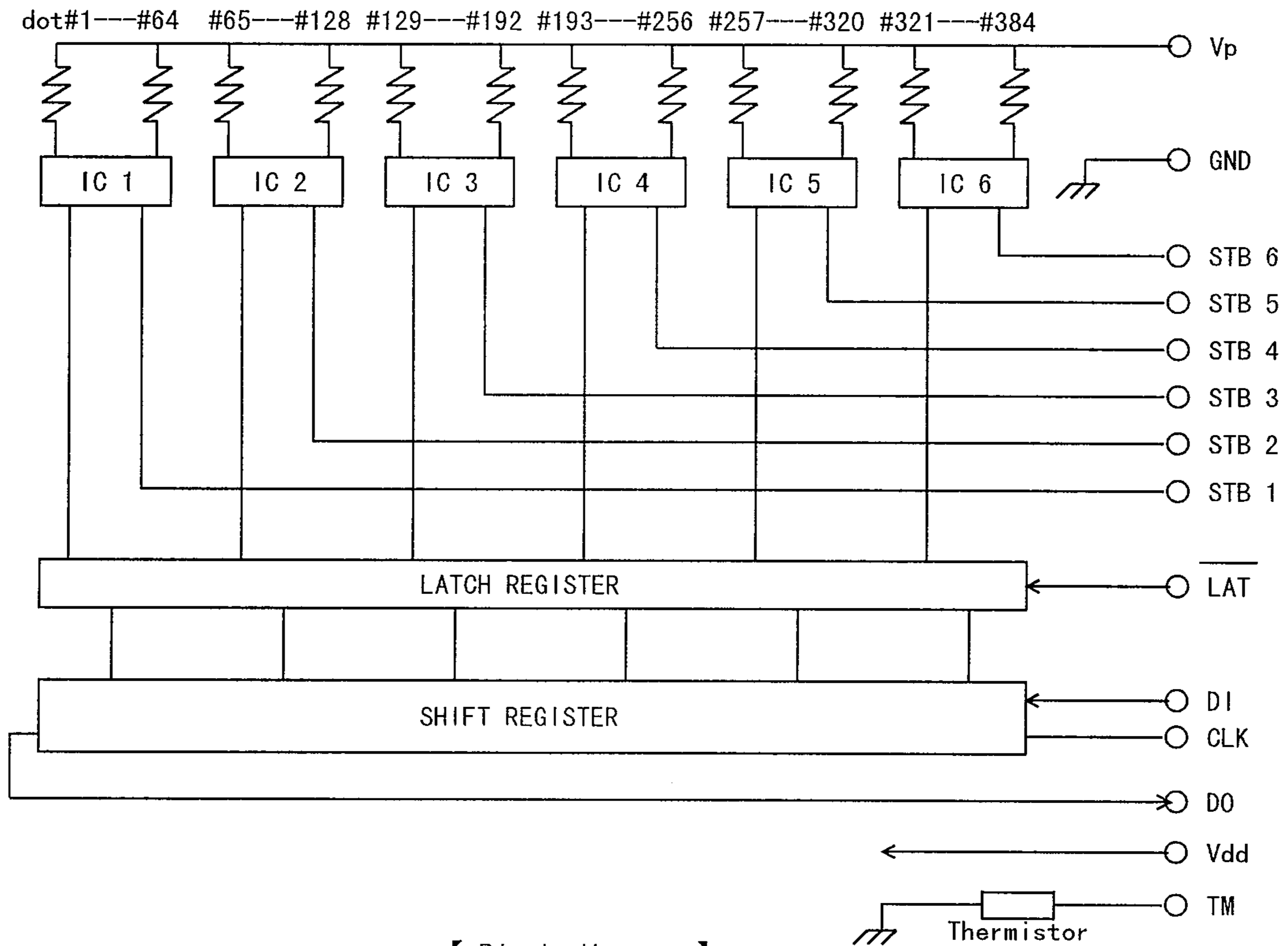
Item	Specification	Remarks
Printing	<Recording paper> ·Standard thermal paper : TF50KS-E2C ·High preservation thermal paper : AFP235 <div style="border: 1px solid black; padding: 5px; margin: 10px auto; width: fit-content;"> OD value \geq 0.8 at 100% coloring </div>	·Measured by Macbeth reflection densitometer at 10mm from printing start position. ·At $V_p=7.2V$ ·A power supply shall be met to enough capacity to prevent voltage drop during operation. ·Operating condition : 25° C 65%RH
	<Recording paper> ·Double paper : TCC <div style="border: 1px solid black; padding: 5px; margin: 10px auto; width: fit-content;"> Top paper : OD value \geq 0.8 at 100% coloring Bottom paper : Level for character readable </div>	

Note		Format No. FORM1062. JBW
Established MAR/23/99	Information Systems Div.	
Enforced MAR/24/99		

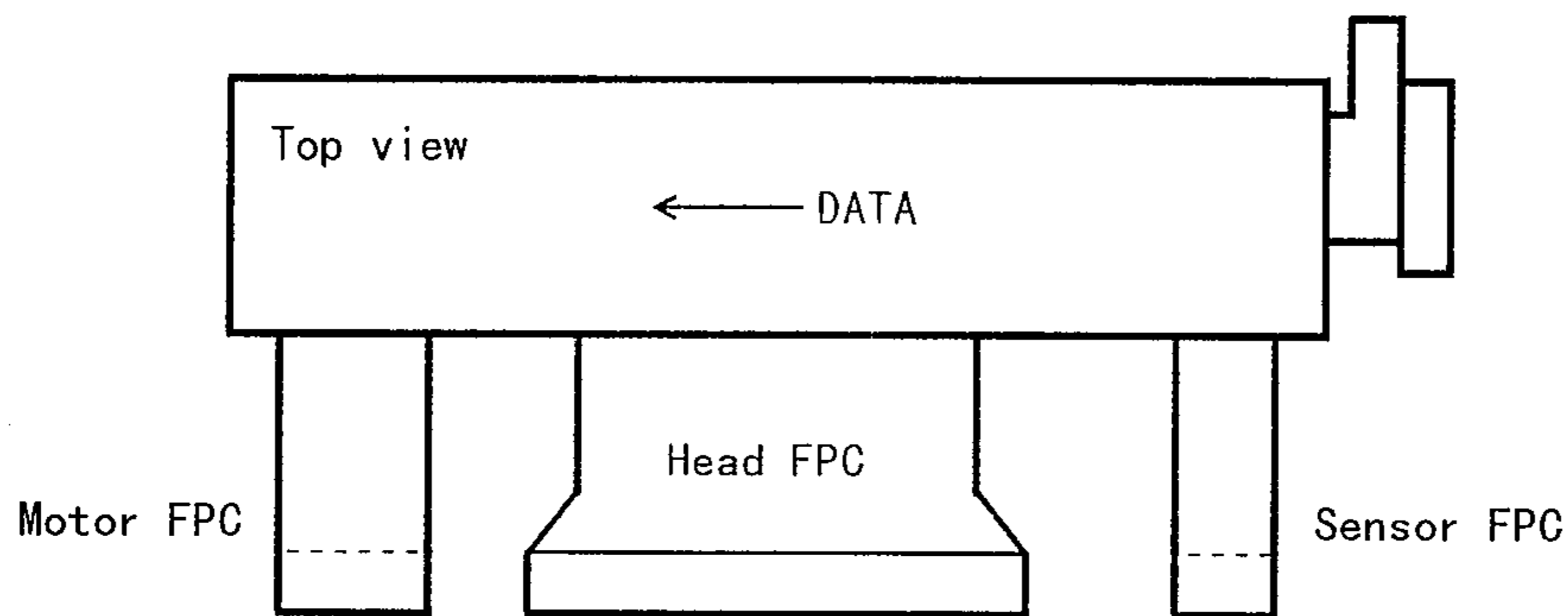
Document	Product specifications	Mark-number : 151—GT—082
Product	EPL1802S2	34—14 Revision-number:0

6. Thermal head specifications

6-1. The structure of a head



【 Block diagram 】



【 Data direction of data inputting 】

• The dynamic divided control (Changing the printing period by each line depending the coloring ratio) is subject to the following US patents from Island Software Inc. in US.
USP5157761, USP5056043

Customers, who produce and sell their complete good with this printer, are under no obligation to get the license from Island Software Inc..

Note		Format No. FORM1062. JBW
Established MAR/23/99	Information Systems Div.	
Enforced MAR/24/99		

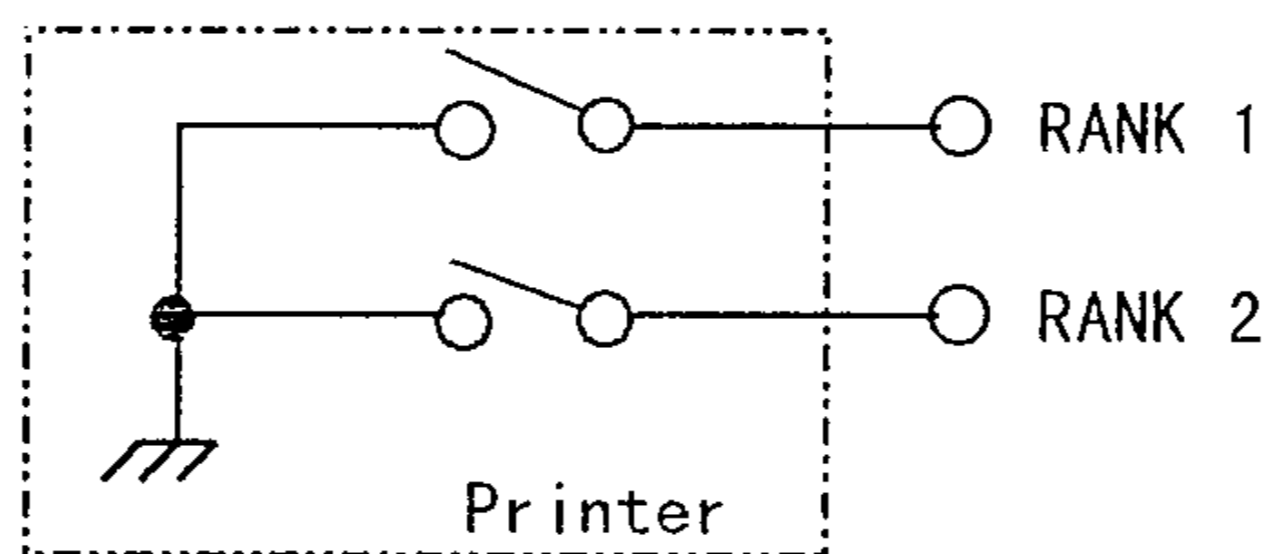
Document	Product specifications	Mark-number : 151—GT—082
Product	EPL1802S2	34—15 Revision-number:0

6-2. Head rank

There are 4 head ranks according to the average resistance value as shown below. By reading "RANK1" and "RANK2" in head FPC(refer to 8-2.), automatic setting of the head rank can be performed.

1 : OPEN , 0 : GND

Head rank	RANK 1	RANK 2	Average resistance value (Ω)
A	0	0	184 to 195
B	1	0	171 to 183
C	0	1	157 to 170
D	1	1	145 to 156



Note	Format No. FORM1062. JBW
Established MAR/23/99	Information Systems Div.
Enforced MAR/24/99	

Document	Product specifications	Mark-number : 151— GT—082
Product	EPL1802S2	34—16 Revision-number:0

6-3. General specifications

Item	Specifications
Printing width	48±0.2 mm
Total number of dots	384 dots/line
Dot density	8 dots/mm
Dot pitch	0.125 mm
Resistance	170 Ω ± 15 %
Number of strobes	6 strobes
DATA transfer system	1 DATA input system
Driver setup	6 drivers (in units of 64 dots)
Applied voltage	4.2V to 8.5V
Applied pulse width	*1 1.2 ms (Typ)
Applied pulse period	2.2 ms (min)
Applied power	0.22 W/dot (Typ)
Number of dots printable at the same time	64 dots max.
Thermistor characteristics	$R_x = R_{25} \times \text{EXP} \{B \times (1/(273 + T_x) - 1/298)\}$ R_x : kΩ (at $T_x(^{\circ}\text{C})$) $R_{25^{\circ}\text{C}}$: 30 kΩ ± 5% (at 25°C) B constant: 3950k ± 2% T_x : °C
Notes	Applied power = $I_o^2 \cdot R_{av}$ $= \frac{V_p^2 \times R_{av}}{(N \cdot R_{com} + R_{av} + R_{ic} + R_l)^2} \text{ (W/dot)}$ where R_{av} : Average resistance value 170 Ω N : Number of printing dots at same time 64dots (max.) R_{com} : Common resistance value 0.05 Ω R_{ic} : Driver IC resistance 16 Ω R_l : Lead resistance value 10 Ω

*1 Standard thermal paper, at 7.2V, at 20°C, 64 dots coloring.

Note		Format No. FORM1062. JBW
Established MAR/23/99	Information Systems Div.	
Enforced MAR/24/99		

Document	Product specifications	Mark-number : 151— GT—082	
Product	EPL1802S2	34—17	Revision-number:0

6-4. Electric characteristics

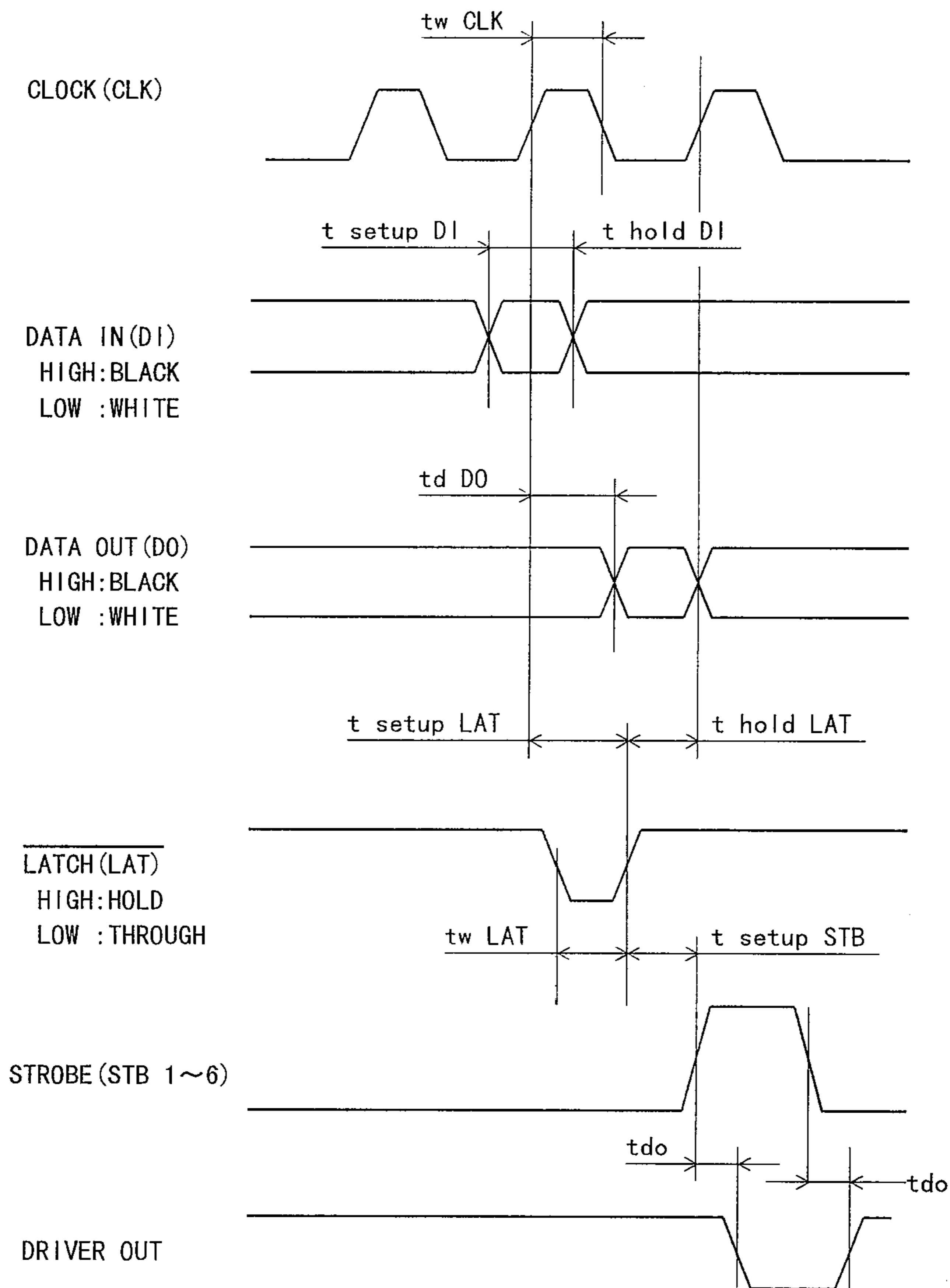
6-4-1. Electric characteristics (Temperature:5 to 45°C, Humidity:35 to 85%RH)

Item	Symbol	Recommended values			Unit	Conditions
		Min.	TYP	Max.		
Power source voltage	Vp	—	—	8.5	V	
Power source voltage	Vdd	4.60	5.00	5.40	V	
Power source current	Idd	—	—	48	mA	fDI=fCLK/2
Input voltage	H VIH	0.8Vdd	—	Vdd	V	STB, DI, LAT, CLK
	L VIL	0	—	0.2Vdd	V	"
Data input current (DI)	H I _{IH} DI	—	—	0.5	μA	VIH=5V
	L I _{IL} DI	-0.5	—	—	μA	VIL=0V
STB input current (STB)	H I _{IH} STB	—	—	30	μA	
	L I _{IL} STB	-0.5	—	—	μA	
CLOCK input current (CLK)	H I _{IH} CLK	—	—	0.5	μA	
	L I _{IL} CLK	-0.5	—	—	μA	
LATCH input current (LAT)	H I _{IH} LAT	—	—	0.5	μA	
	L I _{IL} LAT	-0.5	—	—	μA	
Data output voltage (DO)	H VDOH	4.45	—	—	μA	OPEN (Vdd=4.5V)
	L VDOL	—	—	0.05	μA	
Driver output voltage	VOL	—	(1.0)	—	V	(reference)
Clock frequency	fCLK	—	—	8	MHz	
Clock pulse width	tw CLK	30	—	—	ns	Refer to 6-4-2. Timing chart.
Data setup time	tsetup DI	30	—	—	ns	
Data hold time	thold DI	10	—	—	ns	
DO delay time	td DO	—	—	120	ns	
LAT pulse width	tw LAT	100	—	—	ns	
LAT setup time	tsetup LAT	200	—	—	ns	
LAt hold time	thold LAT	50	—	—	ns	
STB setup time	tsetup STB	300	—	—	ns	
Output delay time	tdo	—	—	10	μs	

Note	Format No. FORM1062. JBW
Established MAR/23/99	Information Systems Div.
Enforced MAR/24/99	

Document	Product specifications	Mark-number : 151—GT—082
Product	EPL1802S2	34—18 Revision-number:0

6-4-2. Timing chart



Note		Format No. FORM1062. JBW
Established MAR/23/99	Information Systems Div.	
Enforced MAR/24/99		

Document	Product specifications	Mark-number : 151-GT-082
Product	EPL1802S2	34-19 Revision-number:0

6-5. Applied pulse width control

In order to realize a high quality printing, it is required to correct the applied pulse width depending on a supplied voltage, a temperature of the head, and a number of dots colored at the same time.

The following is the method how to calculate the pulse width.

6-5-1. Standard applied energy

The standard applied energy is as follows:

$$E_0 = 0.230 \text{ mJ (constant)}$$

6-5-2. Conversion of the energy into pulse width

Convert the standard applied energy to head pulse width with factors of supplied voltage and head temperature correction according to the following formula.

$$T_1 = \frac{E_0}{W} \times \left[1 + \frac{\alpha}{100} \times (25 - T) \right] \quad (\text{ms})$$

t : applied pulse width (ms)

E₀ : applied energy (mJ)

$$W : \text{applied wattage} = \frac{V_p^2 \times R_{av}}{(8 \times 0.4 + R_{av} + 26)^2} \quad (\text{W/dot})$$

V_p : Supplied Voltage (V)

R_{av} : Thermal Head resistance (Ω)

	Head lank (Refer to 6-2.)			
	A	B	C	D
R _{av} (Ω)	190	177	164	150

α : Temperature correction ratio → 1.1 (%/deg)

T : Temperature of thermal head (°C)

6-5-3. Printing cycle correction

Correct the pulse width depending on a printing cycle according to the following formula.

Printing cycle correction ratio is shown in the following table.

$$T_2 = (1 + X/100) \times T_1$$

T₂ : Head pulse width

X : printing cycle compensating ratio (%)

【Printing cycle compensating ratio: X】

Head voltage \ Head temperature	4.2V -4.5V	4.5V -5.0V	5.0V -5.5V	5.5V -6.0V	6.0V -7.0V	7.0V -8.5V
-5~5°C	240	150	90	63	36	9
5~20°C	188	121	82	40	27	5
20~35°C	133	86	50	31	10	0
35~50°C	90	53	31	17	10	0
50~70°C	69	29	25	17	10	0

Note	Format No. FORM1062. JBW
Established MAR/23/99	Information Systems Div.
Enforced MAR/24/99	

Document	Product specifications	Mark-number : 151—GT—082	
Product	EPL1802S2	34—20	Revision-number:0

6-5-4. Divide correction

Correct the pulse width depending on a number of dividing, according to the following formula. Divide correction ratio is shown in the following table.

$$T_3 = (1 + Y/100) \times T_2$$

T_3 : Head pulse width
 Y : Divide correction ratio (%)

[Divide correction ratio: Y]

number of dividing	Y (%)
1	0
2	0
3	1.9
4	2.7
5	3.4
6	4.2

number of dividing	Y (%)
7	5.0
8	5.8
9	6.6
10	7.3
11	8.1
12	8.9

number of dividing	Y (%)
13	9.7
14	10.5

6-5-5. Simultaneous coloring correction

Correct the pulse width depending on the number of dots colored simultaneously according to the following formula.

Simultaneous coloring correction ratio is shown in following table.

$$T_4 = (1 + Z/100) \times T_3$$

T_4 : Head pulse width
 Z : Simultaneous coloring correction ratio (%)

[Simultaneous coloring correction ratio: Z]

Simultaneous printing dots	Z (%)
1 ~ 8	0
9 ~ 16	1
17 ~ 24	2
25 ~ 32	3
33 ~ 40	4
41 ~ 48	5
49 ~ 64	6

6-5-6. Energy adjustment for various kinds of paper

May correct the pulse width in order to adjust the difference of sensitivity of the kinds of thermal paper as shown below.

$$T_5 = (1 + P/100) \times T_4$$

T_5 : Head pulse width
 P : Recording paper correction ratio (%)

[Recording paper correction ratio: P]

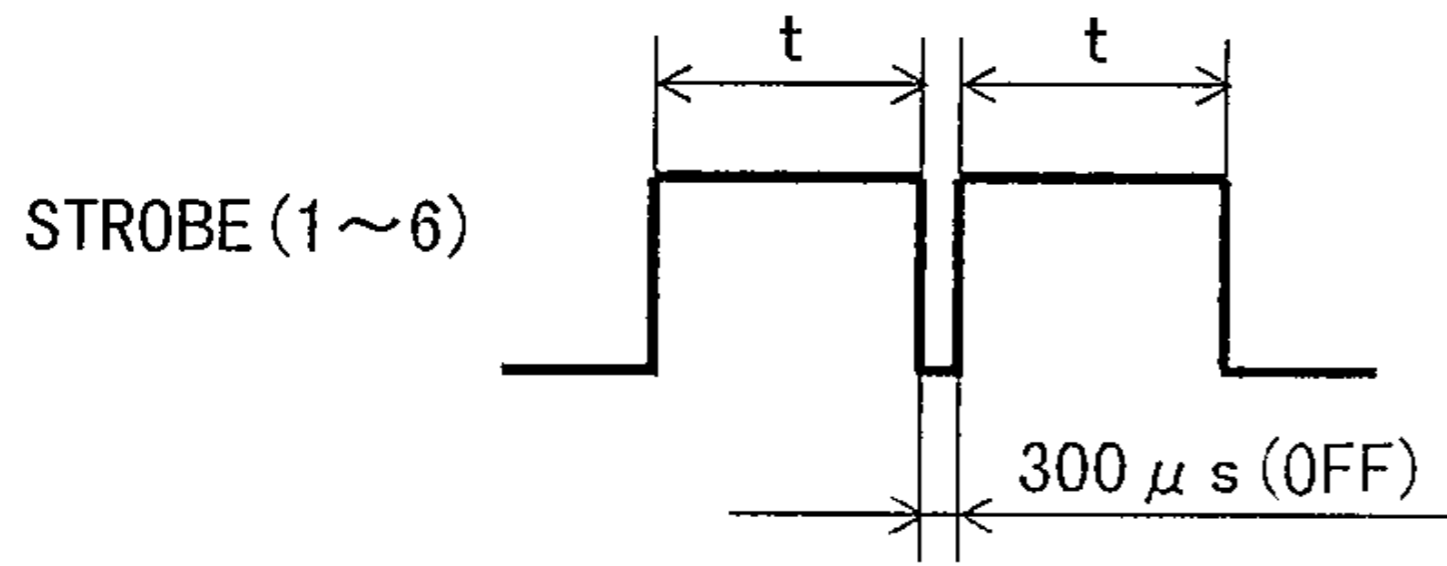
paper type	Recording paper (manufacturer : type number)	Sensitivity compensating ratio
Standard thermal paper	Nippon paper : TF50KS-E2	0
High preservation thermal paper	Mitsubishi Seishi : AFP235	3.0
Double paper	Fujicopian : TCC	3.0

Note		Format No. FORM1062. JBW
Established MAR/23/99	Information Systems Div.	
Enforced MAR/24/99		

Document	Product specifications	Mark-number : 151— GT—082	
Product	EPL1802S2	34—21	Revision-number:0

6-5-7. Double (2PLY) paper control

In case of double paper printing, apply the pulse which is calculated by method through 6-5-1 to 6-5-6 to the head 2times in a row at the same dot-line position as shown below.



t : Applied pulse width (ms)
(to be calculated as mentioned above.)

Note		Format No. FORM1062. JBW
Established MAR/23/99	Information Systems Div.	
Enforced MAR/24/99		

Document	Product specifications	Mark-number : 151— GT—082	
Product	EPL1802S2	34—22	Revision-number:0

6-6. Precautions in use

6-6-1. Electric precautions

- (1) For continuous printing at high printing rate, do not allow the head substrate temperature to exceed the specified value.
- (2) To prevent the thermal head against ions, noises, etc., design the circuit so that Vp (power to the heating element) turns off (GND level) when standing by.
- (3) Design the circuit so that the thermal head is not heated in case of thermistor wire breakage.
- (4) If the number of dots printed at the same time exceeds the specified number of dots, the net power applied to the heating element decreases due to the internal voltage drop in the thermal head, so that enough density cannot be obtained.
In addition, because the noise generated from the thermal head increases with increasing current, take full measures against the noise, such as the use of netting wire.

6-6-2. Mechanical precautions

- (1) Wipe off paper residues on the heating element with methanol or IPA.
- (2) Do not touch the heating element or the surface of thermal papers with the hand.
- (3) Use thermal papers which are free from Na⁺ ion, K⁺ ion, and Cl⁻ ion, or which shall be sufficiently evaluated on reliability.
- (4) Allow no condensation on the heating element.

6-6-3. Recommended driving circuit conditions

- (1) When the power turn ON/OFF,
 - When power turn ON : Tern on Vp after turned on Vdd
(Simultaneous power on is available.)
 - When power turn OFF : Tern off Vdd after turned off Vp
(Simultaneous power off is available.)
- (2) When the power turn ON/OFF, turn the STROBE to "the disable state".
- (3) In order to protect to invade a noise, the cable length from Vp and GND should be less than 100 mm.
And add an aluminum electrolytic capacitor of 47 μ F capacitance/16V between Vp and GND, and ceramic capacitor of 0.1 μ F capacitance between Vdd and GND.

Note		Format No. FORM1062. JBW
Established MAR/23/99	Information Systems Div.	
Enforced MAR/24/99		

Document	Product specifications	Mark-number : 151— GT—082
Product	EPL1802S2	34—23 Revision-number:0

7. Stepping motor specifications

7-1. Basic specifications

Item	Standard
Type	Permanent magnet type
Number of phases	4
Excitation method	1-2 phase bipolar driving
Wound wire resistance/phase	9 Ω /phase
Rated voltage	4.2 ~ 8.5 V
Max. current consumption	0.9 A
Average current consumption	0.50 A (at 7.2V, 1800pps)
Driving frequency	0 — 1800 pps

7-2. How to operate the motor

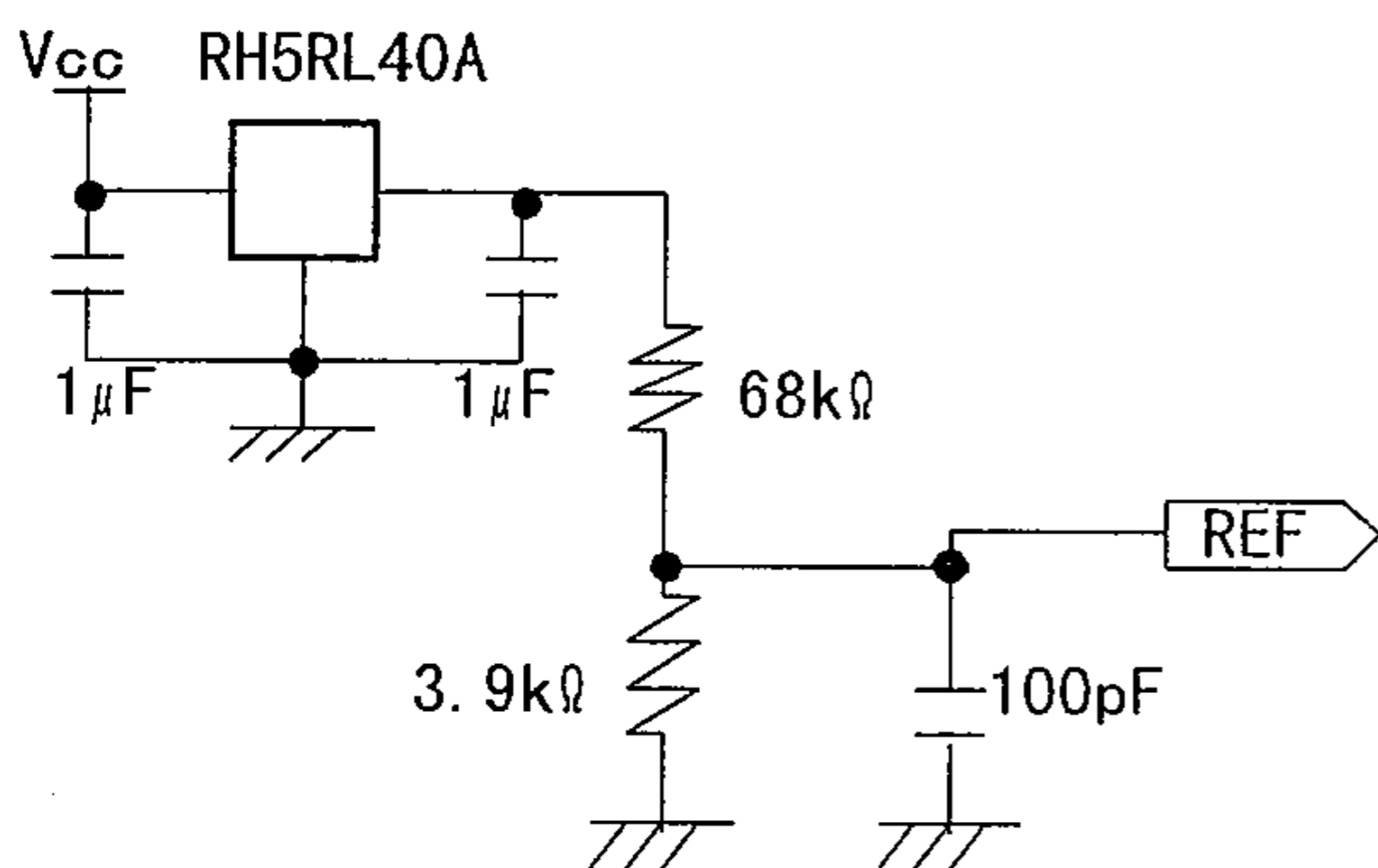
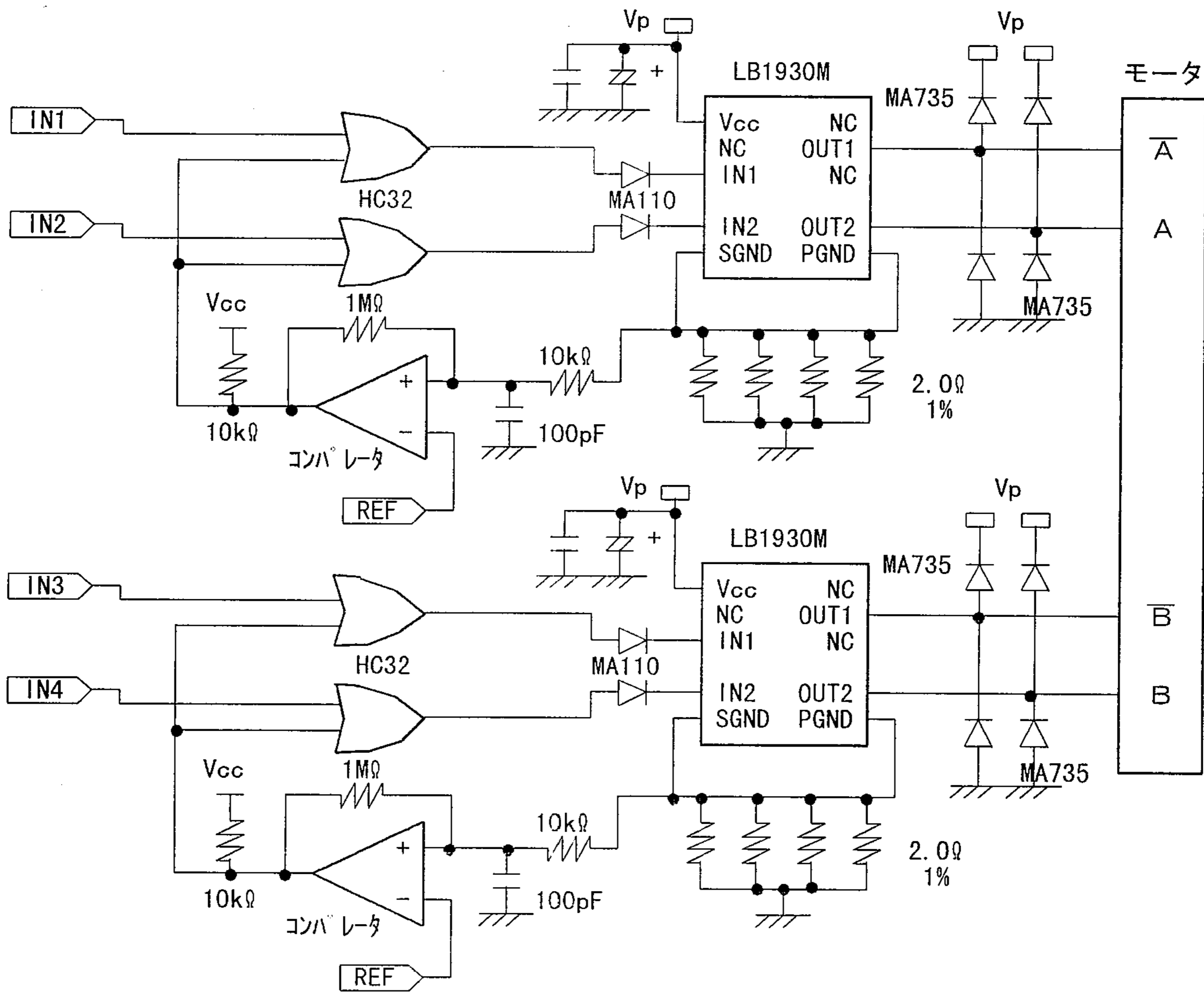
7-2-1. General

- (1) How to drive the motor shall be excited by 1-2 phase. (Refer to 7-2-3.)
- (2) The motor shall be driven by "slow-up control", at the initial operation. (Refer to 7-2-4.)
(at the same as the re-operation of after stopping temporally.)
- (3) The motor driving frequency shall be corrected in adopting the dynamic division printing.
(Refer to 7-2-5.)
- (4) The 8 dot-lines paper feeding (16 steps) shall be executed, when re-driving after stopping the motor.
- (5) The motor (at printing operation or paper feeding) shall be controlled by the thermistor installed on the surface of the motor, to protect the motor against the temperature increasing as follows. (Refer to 7-3.)
The motor shall be stopped over the temperature of 80 °C.
- (6) To prevent abnormal heating of the motor, do not apply power to the motor except when the paper is fed (or printed).
- (7) In case of turning ON, the motor shall be driven forwardly by 16 dot-lines, after back feeding by 16 dot-lines (64 steps).
- (8) On exciting the motor, the thermal paper shall not be pulled out forcibly and also the paper feeding knob shall not be rotated forcibly, since it may cause the gear broken.
- (9) Do not operate with intermittent motor driving.

Note	Format No. FORM1062. JBW
Established MAR/23/99	Information Systems Div.
Enforced MAR/24/99	

Document	Product specifications	Mark-number : 151-GT-082
Product	EPL1802S2	34-24 Revision-number:0

7-2-2. Example of driving circuit

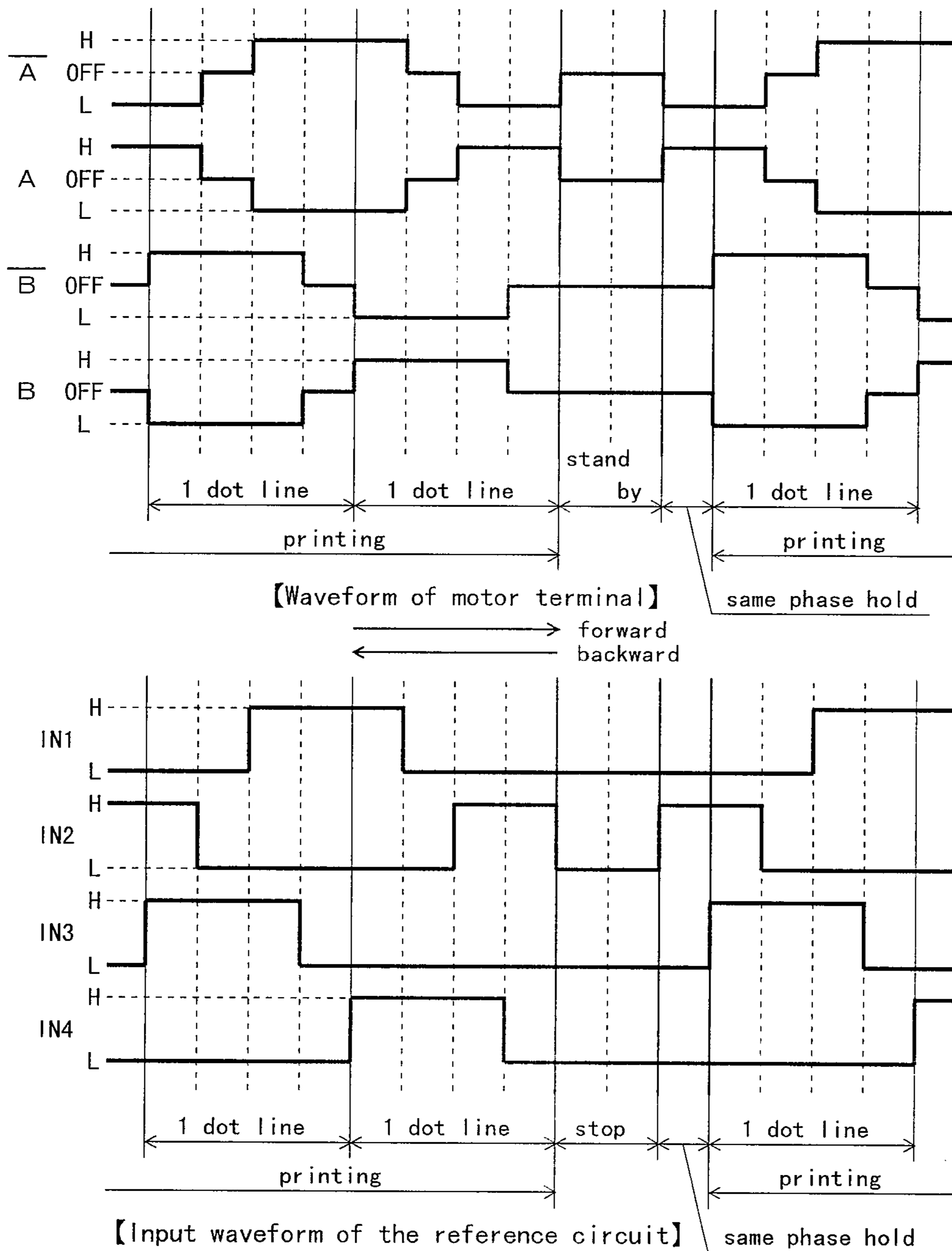


- MA110 : Panasonic
- MA735 : Panasonic
- LB1930M : SANYO
- RH5RL40A : RICOH

Note		Format No. FORM1062. JBW
Established MAR/23/99	Information Systems Div.	
Enforced MAR/24/99		

Document	Product specifications	Mark-number : 151-GT-082
Product	EPL1802S2	34-25 Revision-number:0

7-2-3. Excitation method for the stepping motor



- Dot-line/Motor step ratio : 1 dot-line/4 steps.
- When restart feeding from cut off condition, it is necessary to have pre-excitation for rated time with the last excitation phase.

Note	Format No. FORM1062. JBW
Established MAR/23/99	Information Systems Div.
Enforced MAR/24/99	

Document	Product specifications	Mark-number : 151— GT—082	
Product	EPL1802S2	34—26	Revision-number:0

7-2-4. Slow-up and the standard frequency of the motor

Shown are the slow-up table and the standard frequency of the motor below.

(standard motor exciting period)

The motor shall not be driven over the standard motor frequency.

	Supply voltage to the printer [V]					
	4.2-4.5	4.6-5.0	5.1-5.5	5.6-6.0	6.1-7.0	7.1-8.5
Refer to the slow-up table	T a	T b	T c	T d	T e	T f
The standard motor frequency [pps]	400	600	800	1200	1600	1800

<The slow-up table : T a >

step number	frequency [pps]	period [ms]
1	100	10.000
2	241	4.142
3	315	3.178
4	373	2.679
5	400	2.500
6		
7		
8		
9		

<The slow-up table : T b >

step number	frequency [pps]	period [ms]
1	122	8.165
2	296	3.382
3	385	2.595
4	457	2.188
5	519	1.927
6	574	1.743
7	600	1.667
8		
9		

<The slow-up table : T c >

step number	frequency [pps]	period [ms]
1	141	7.071
2	341	2.929
3	445	2.247
4	528	1.895
5	599	1.669
6	663	1.509
7	721	1.388
8	774	1.292
9	800	1.250

<The slow-up table : T d >

step number	frequency [pps]	period [ms]
1	212	4.714
2	512	1.953
3	667	1.498
4	792	1.263
5	899	1.113
6	994	1.006
7	1081	0.925
8	1161	0.861
9	1200	0.833

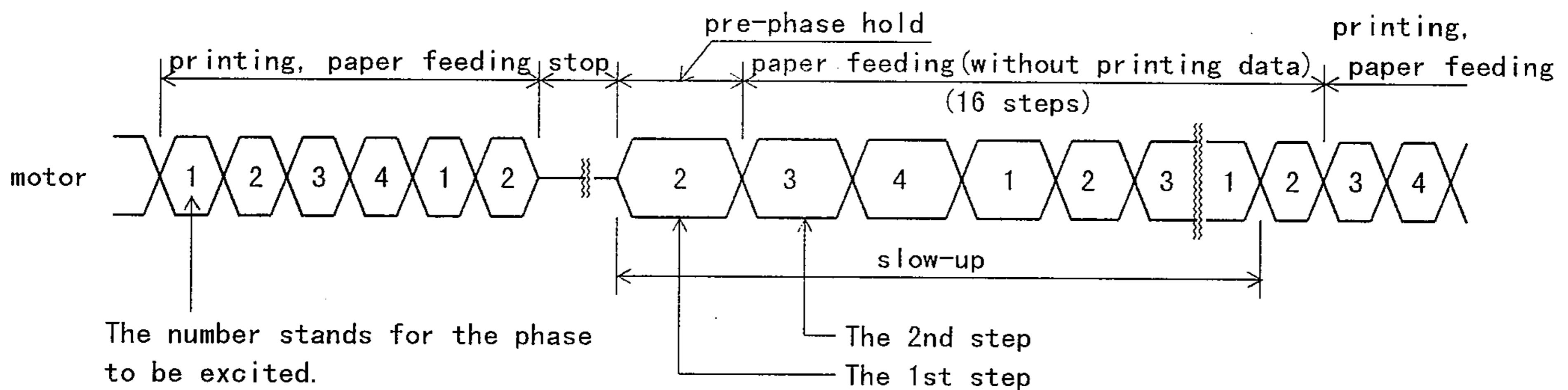
<The slow-up table : T e >

step number	frequency [pps]	period [ms]
1	283	3.536
2	683	1.464
3	890	1.124
4	1056	0.947
5	1198	0.835
6	1325	0.755
7	1441	0.694
8	1548	0.646
9	1600	0.625

<The slow-up table : T f >

step number	frequency [pps]	period [ms]
1	318	3.143
2	768	1.302
3	1001	0.999
4	1188	0.842
5	1348	0.742
6	1491	0.671
7	1621	0.617
8	1742	0.574
9	1800	0.556

The timing chart at slow-up is shown below.



Note	Format No. FORM1062. JBW
Established MAR/23/99	Information Systems Div.
Enforced MAR/24/99	

Document	Product specifications	Mark-number : 151—GT—082
Product	EPL1802S2	34—27 Revision-number:0

7-2-5. Division correction of the motor frequency at the dynamic division printing

The printing speed change every one dot-line at the dynamic division printing is minimized by this correction.

(1) Division correction method

- Definition
- ① n : The line to be colored
 - ② n-1 : The pre-line to be fired
 - ③ Mn : The exciting time of the n-line
 - ④ M(n-1) : The exciting time of the (n-1)-line
(The initial value : The standard motor frequency)
 - ⑤ Thn : The head applied pulse width of the n-line
(The pulse width of STB signal)
 - ⑥ β : 0.8 (Correction co-efficient at the division printing)

Mn (the exciting time of n-line) shall be fixed as shown below.

(Condition 1)

Case : $4 \times (\text{The standard exciting time}) \geq Thn$

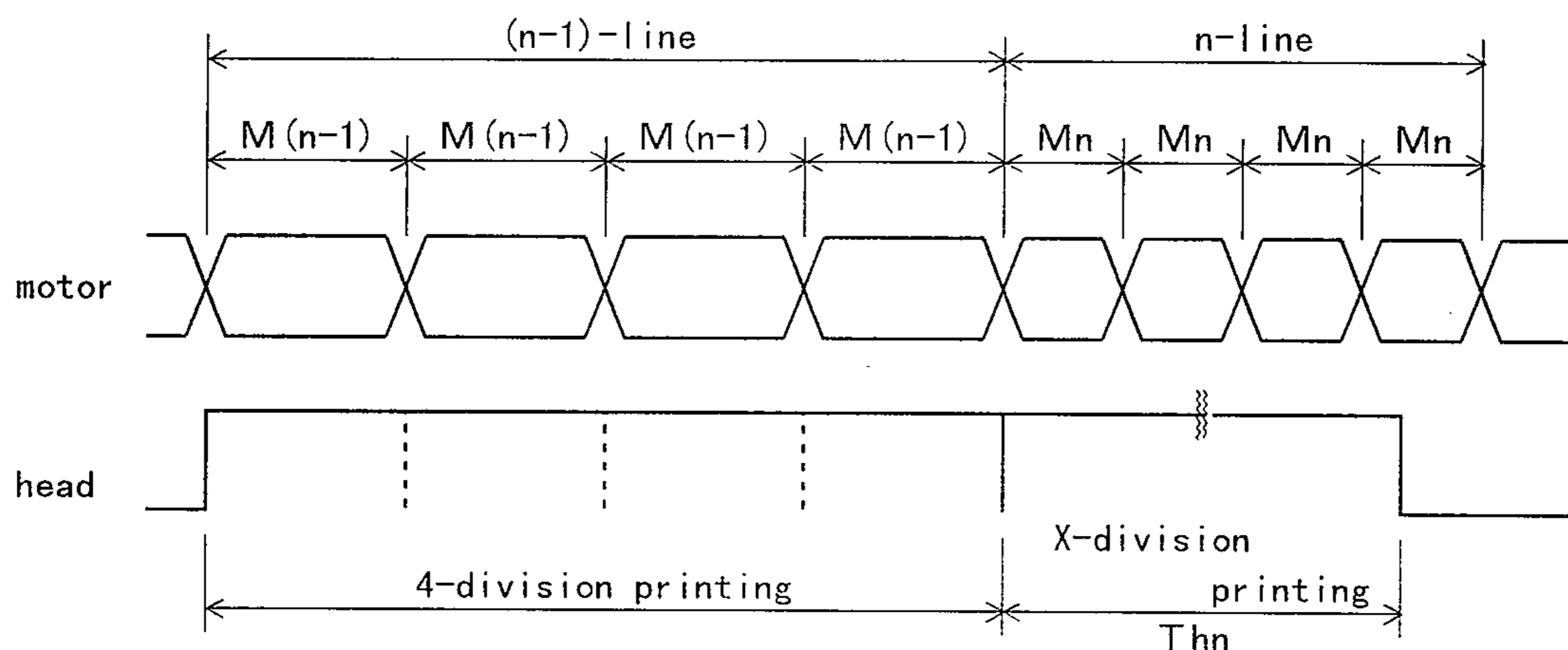
Mn shall be fixed by the larger figure between the standard exciting time and $M(n-1) \times \beta$.

(Condition 2)

Case : $4 \times (\text{The standard exciting time}) < Thn$

Mn shall be fixed the by the larger figure between $Thn/4$ and $M(n-1) \times \beta$.

(2) Timing chart of division correction



Note		Format No. FORM1062. JBW
Established MAR/23/99	Information Systems Div.	
Enforced MAR/24/99		

Document	Product specifications	Mark-number : 151— GT—082
Product	EPL1802S2	34—28 Revision-number:0

7-3. Thermistor characteristics

$$R_x = R_{25} \times \text{EXP}\{B \times (1/(273 + T_x) - 1/298)\}$$

R_x : k Ω (at T_x (°C))
 R_{25} : 30 k Ω \pm 2% (at 25°C)
 B constant : 3760 K \pm 1%
 T_x : °C

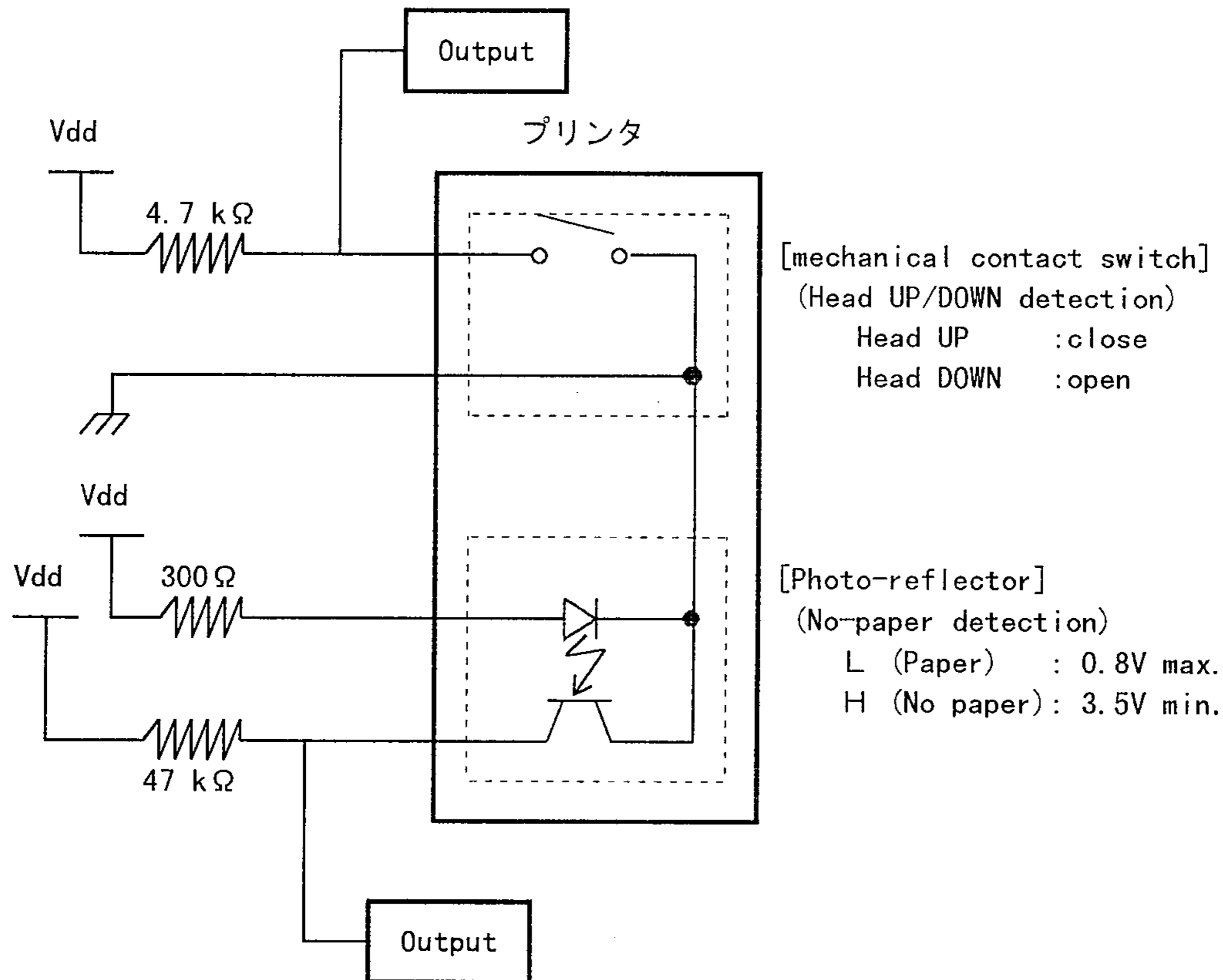
※ The motor surface temperature shall not exceed 80°C.
 (Thermistor resistance value : 4.20 k Ω)

Note		Format No. FORM1062. JBW
Established MAR/23/99	Information Systems Div.	
Enforced MAR/24/99		

Document	Product specifications	Mark-number : 151-GT-082
Product	EPL1802S2	34-29 Revision-number:0

8. Sensors

8-1. Recommended circuit

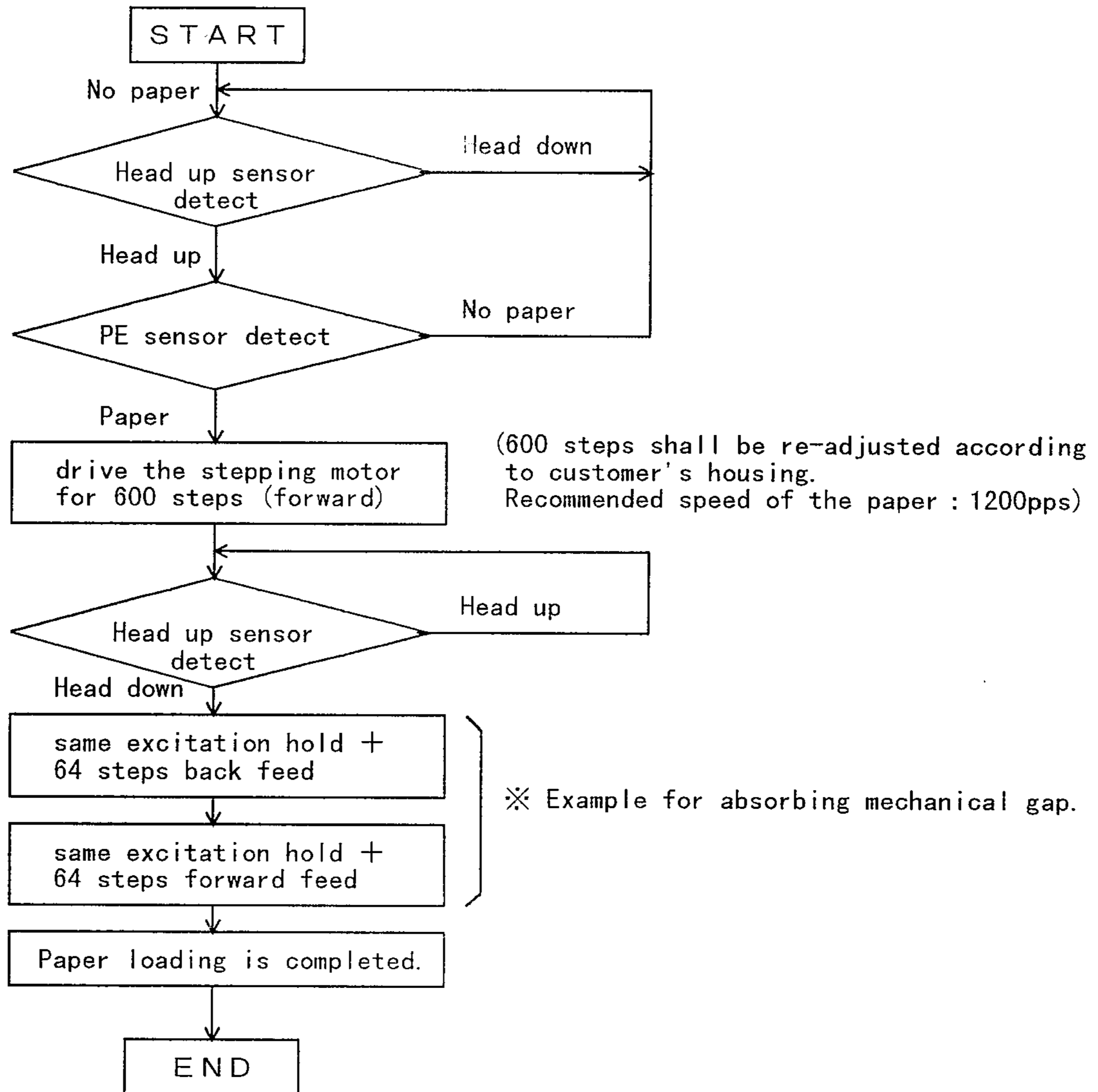


Note		Format No. FORM1062. JBW
Established MAR/23/99	Information Systems Div.	
Enforced MAR/24/99		

Document	Product specifications	Mark-number : 151— GT—082
Product	EPL1802S2	34—30 Revision-number:0

8-2. Application of paper end sensor (automatic paper loading)

Automatic paper loading is capable by using the paper out sensor.

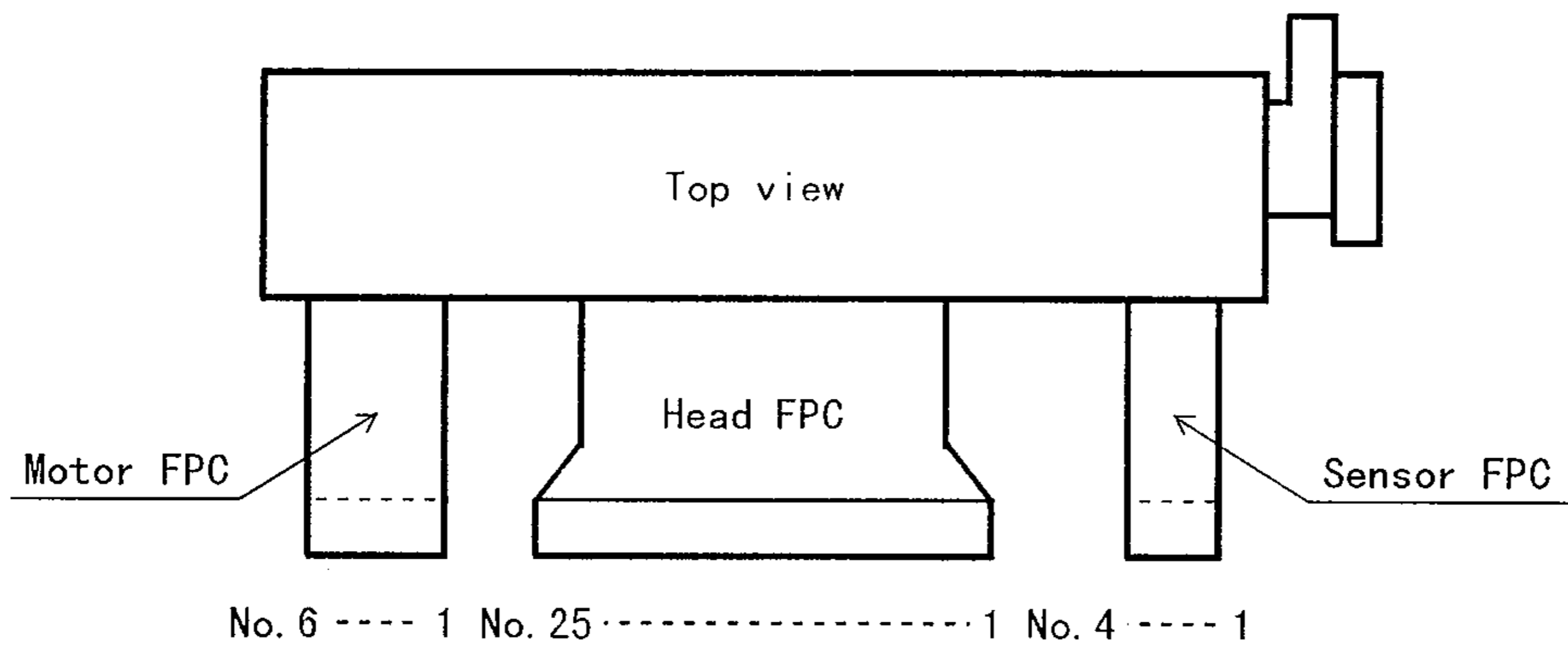


※ If recording paper is skew, drive the stepping motor until the paper becomes straight, or settle the paper by hand with the head-up state.

Note		Format No. FORM1062. JBW
Established MAR/23/99	Information Systems Div.	
Enforced MAR/24/99		

Document	Product specifications	Mark-number : 151—GT—082
Product	EPL1802S2	34—31 Revision-number:0

9. Connection



9-1. Matching connecter

	Number of terminals	Recommended connector
Head FPC	25	Molex Co. : 52207-2517(angle type, with lock type) 52610-2517(straight type, with lock type)
Motor FPC	6	Molex Co. : 52643-0610(angle type, without lock type) 52610-0617(straight type, with lock type)
Sensor FPC	4	Molex Co. : 52643-0410(angle type, without lock type) 52808-0410(straight type, without lock type)

※ Evaluate the specifications (POWER RATING, CONTACT RESISTANCE, WITHDRAWING FORCES etc.), when using un-recommended connector.

Note	Format No. FORM1062. JBW
Established MAR/23/99	Information Systems Div.
Enforced MAR/24/99	

Document	Product specifications	Mark-number : 151—GT—082
Product	EPL1802S2	34—32 Revision-number:0

9-2. Pin layout for FPC

9-2-1. Head FPC

No.	Signal name	I/O	
1	Vp	I	Supply voltage to head
2	Vp	I	Supply voltage to head
3	GND	—	GND
4	GND	—	GND
5	DI	I	DATA-IN
6	NC	—	No connection
7	NC	—	No connection
8	NC	—	No connection
9	STB 6	I	STROBE 6
10	CLK	I	CLOCK
11	$\overline{\text{LAT}}$	i	LATCH
12	Vdd	I	Supply voltage to logic
13	TM _H	O	Thermistor (Another terminal is grounded.)
14	RANK 1	O	Head lank
15	RANK 2	O	Head lank
16	STB 5	I	STROBE 5
17	STB 4	I	STROBE 4
18	STB 3	I	STROBE 3
19	STB 2	I	STROBE 2
20	STB 1	I	STROBE 1
21	DO	O	DATA-OUT
22	GND	—	GND
23	GND	—	GND
24	Vp	I	Supply voltage to head
25	Vp	I	Supply voltage to head

9-2-2. Motor FPC

No.	Signal name	
1	TM _m	Thermistor
2	TM _m	Thermistor
3	$\overline{\text{A}}$	Motor driving signal
4	$\overline{\text{B}}$	Motor driving signal
5	A	Motor driving signal
6	B	Motor driving signal

9-2-3. Sensor FPC

No.	Signal name	内 容
1	Pan	Photo reflector (anode)
2	Pco	Photo reflector (collector)
3	GND	GND (emitter & cathode, SW)
4	Hup	SW

Note		Format No. FORM1062. JBW
Established MAR/23/99	Information Systems Div.	
Enforced MAR/24/99		

Document	Product specifications	Mark-number : 151—GT—082
Product	EPL1802S2	34—33 Revision-number:0

10. Timing chart of the printer

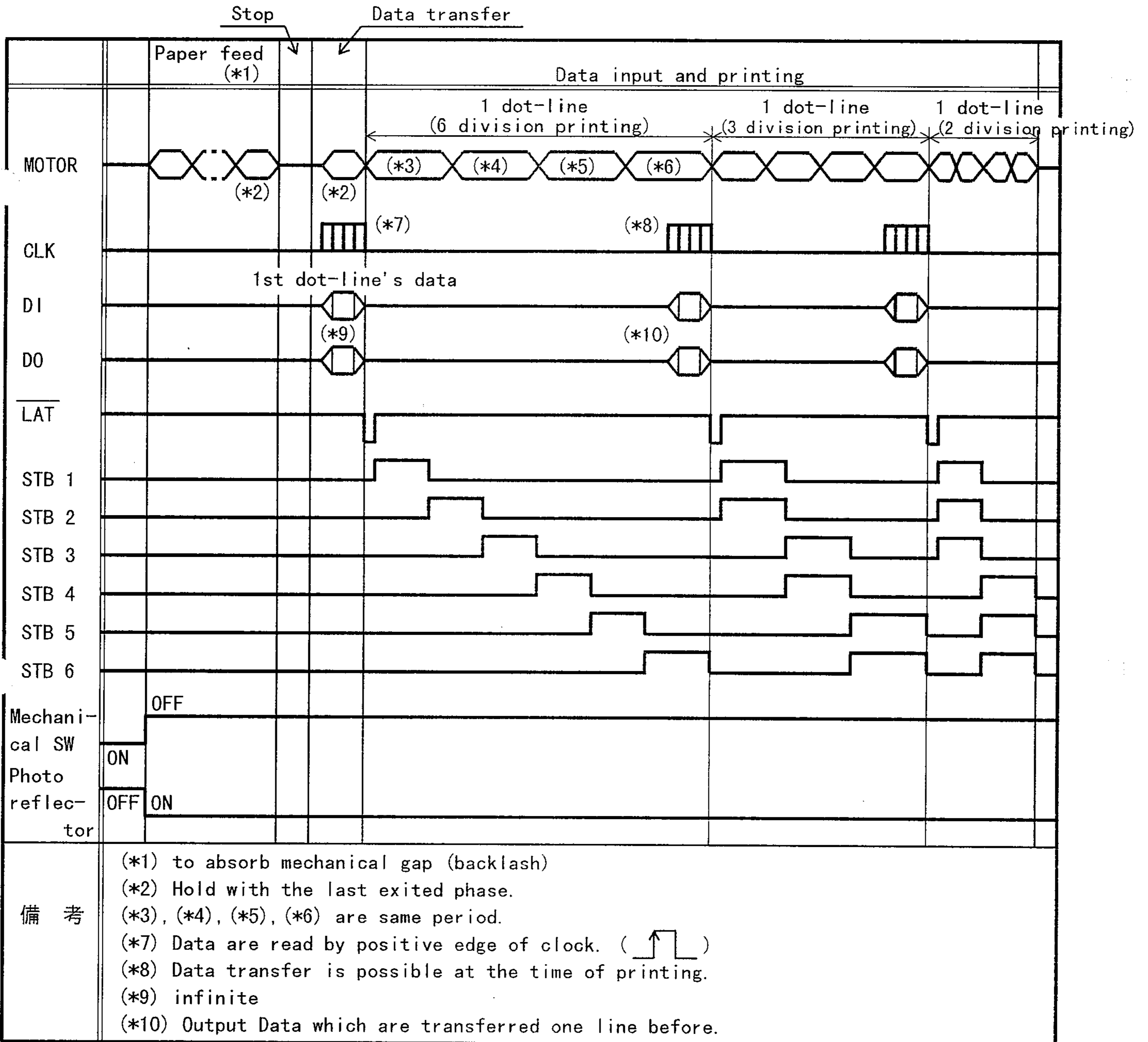
(1) The full timing (one cycle) is explained as shown below.

In case of printing, the serial printing data are input by being synchronized with the CLK signal, and the printing data are stored at the timing by the LATCH signal inputted. The stored printing data are applied power to the heating element by the STB signal.

※ Print data = "High" → ON(coloring) , Print data = "Low" → OFF(not coloring)

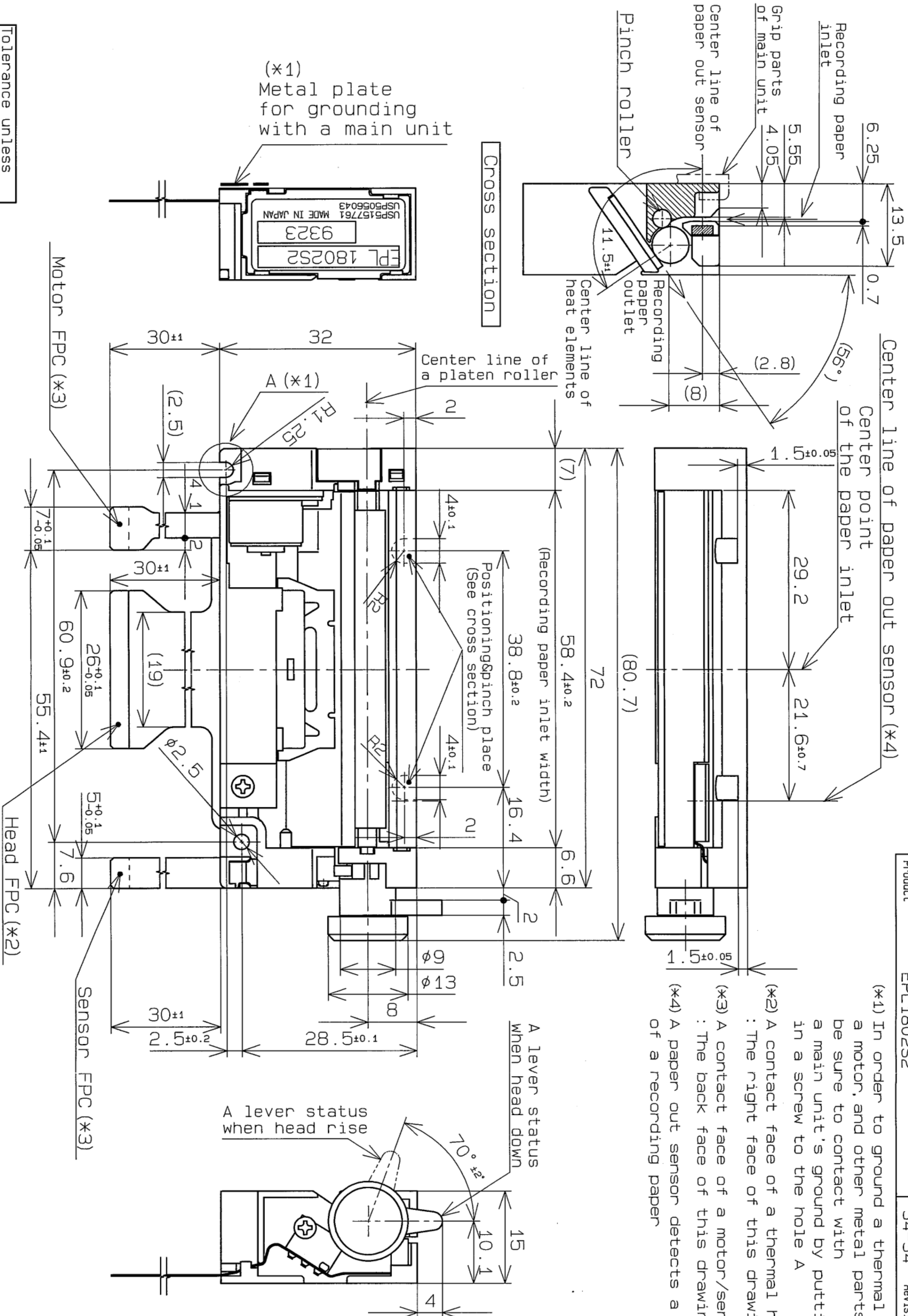
(2) When printing, keep head down state(the mechanical switch OFF) and paper presence (the photo sensor ON).

【 Operation sequence 】



Note	Format No. FORM1062. JBW
Established MAR/23/99	Information Systems Div.
Enforced MAR/24/99	

11. Printer appearance drawing



Document	Product specifications	Mark-number : 151-GT-082
Product	EPL1802S2	34-34 Revision-number: 0

- (*1) In order to ground a thermal head, a motor, and other metal parts, be sure to contact with a main unit's ground by putting in a screw to the hole A
- (*2) A contact face of a thermal head cable : The right face of this drawing
- (*3) A contact face of a motor/sensor cable : The back face of this drawing
- (*4) A paper out sensor detects a back face of a recording paper

Tolerance unless otherwise specified	
Less than 30	±0.2mm
More than 30	±0.4mm
Angle	±1°

Note
 Established MAR/23/99
 Enforced MAR/24/99
 Unit: mm