

TMR13Dx

MicroAmpere High Frequency Response Omnipolar Magnetic Switch Sensor

Description

TMR13Dx is an omnipolar magnetic switch integrated the tunnel magnetoresistance (TMR) magnetic sensor and CMOS circuitry, which is able to detect the change of magnetic field and output high and low voltage signals for high accuracy position detection. Compared with traditional TMR switches, TMR13Dx can provide better product performance consistency by pre-programming the switch points (operating point B_{OP} , release point B_{RP} , and hysteresis B_H) based on customers' needs before delivery.

Unlike Hall/AMR sensors, TMR sensors with extremely high resistance values allows TMR13Dx to achieve the supply current as low as 1.5 μA while operating in the full-time power supply mode, and maintaining the response frequency of the magnetic signal is greater than 1 kHz. Therefore, TMR13Dx can provide true continuous detection of magnetic field signals, avoiding sampling errors from the traditional time-sharing power supply mode.

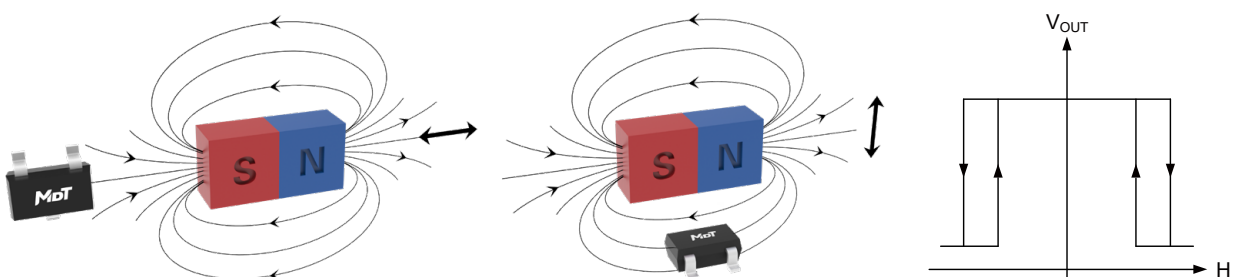
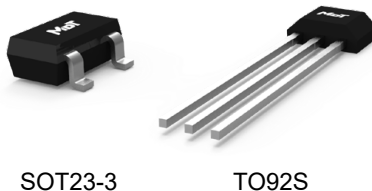
TMR13Dx allows a wide range of operating supply voltages from 1.8 V to 5.5 V with excellent temperature characteristics, and can meet the requirements of most applications.

Features and benefits

- Tunneling magnetoresistance (TMR) technology
- Low power consumption: supply current 1.5 μA
- High frequency response: typ. 1 kHz
- Omnipolar operation
- Wide range supply voltages: 1.8 V to 5.5 V
- CMOS push-pull output
- High sensitivity
- Excellent temperature stability
- High tolerance to external magnetic field interference
- RoHS & REACH compliant

Applications

- Utility meters: water, gas, and heat meters
- Proximity switches
- Speed sensing
- Linear and rotation position sensing
- Wake-up switch



Selection Guide

Part Number	Supply Current	Response Frequency	Operating Ambient Temperature	Operating Point	Release Point	Package	Packing Form
TMR13D3S	1.5 μ A	1 kHz	-40 °C to 125 °C	\pm 40 Gs	\pm 30 Gs	SOT23-3	Tape & Reel
TMR13D3T	1.5 μ A	1 kHz	-40 °C to 125 °C	\pm 40 Gs	\pm 30 Gs	TO92S	ESD Bag
TMR13D5S	1.5 μ A	1 kHz	-40 °C to 125 °C	\pm 30 Gs	\pm 20 Gs	SOT23-3	Tape & Reel
TMR13D5T	1.5 μ A	1 kHz	-40 °C to 125 °C	\pm 30 Gs	\pm 20 Gs	TO92S	ESD Bag
TMR13D7S	1.5 μ A	1 kHz	-40 °C to 125 °C	\pm 20 Gs	\pm 14 Gs	SOT23-3	Tape & Reel
TMR13D7T	1.5 μ A	1 kHz	-40 °C to 125 °C	\pm 20 Gs	\pm 14 Gs	TO92S	ESD Bag
TMR13D8S	1.5 μ A	1 kHz	-40 °C to 125 °C	\pm 10 Gs	\pm 5 Gs	SOT23-3	Tape & Reel
TMR13D8T	1.5 μ A	1 kHz	-40 °C to 125 °C	\pm 10 Gs	\pm 5 Gs	TO92S	ESD Bag

Note: Please contact MultiDimension Technology local sales for customizing operating and release points.

Catalogue

1. Functional Block Diagram.....	03
2. Switching Characteristics	03
3. Pin Configuration	03
4. Absolute Maximum Ratings	04
5. Electrical Specifications	04
6. Magnetic Specifications	04
7. Typical Supply Voltage Characteristics.....	06
8. Typical Temperature Characteristics	07
9. Application Information	08
10. Dimensions.....	09

1. Functional Block Diagram

TMR13Dx series switch chips are composed of TMR sensors and signal processing circuits. The TMR sensor detects external magnetic field, generates an analog voltage signal, and outputs a logical switch level after processing by the circuits as shown in Figure 1.

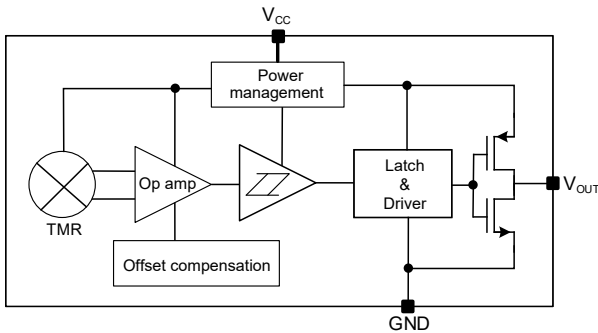


Figure 1. Block diagram

2. Switching Characteristics

The Figure 2 shows the sensing direction is parallel to the silkscreen surface of the package as shown by the arrow.

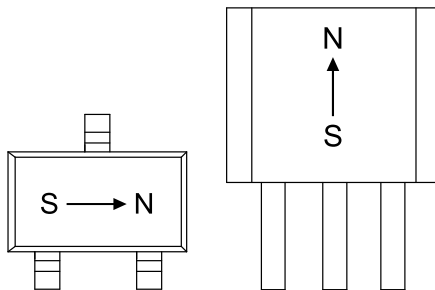


Figure 2. Sensing direction

The output is “High”, when power is on at zero magnetic field. B is the external magnetic field along the sensing direction, B_{OPS} (B_{OPN}) is the operating point, B_{RPS} (B_{RPN}) is the release point, and hysteresis B_H is define as the difference between B_{OPS} and B_{RPS} (B_{OPN} and B_{RPN}).

The sensor outputs a low level, when the magnetic field along the sensing axis exceeds the operate point B_{OPS} (B_{OPN}), and the device outputs a high level, when the magnetic field is reduced below the release point B_{RPS} (B_{RPN}) as shown in Figure 3.

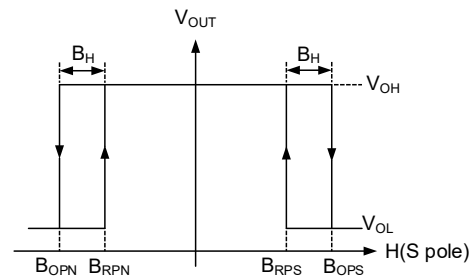


Figure 3. Switching characteristics

3. Pin Configuration

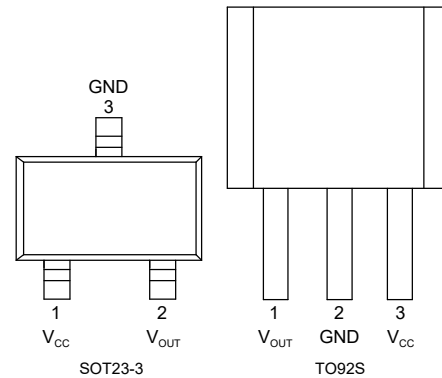


Figure 4. Pin configuration

Pin Number		Name	Function
SOT23-3	TO92S		
1	3	V_{CC}	Power supply
2	1	V_{OUT}	Output
3	2	GND	Ground

4. Absolute Maximum Ratings

Parameters	Symbol	Min.	Max.	Unit	Applicable Part Number
Supply voltage	V_{CC}	-0.3	7	V	All parts
Output current	I_{SINK} and I_{SOURCE}	-	9	mA	All parts
Magnetic flux density	B	-	4000	Gs	All parts
ESD performance (HBM)	V_{ESD}	-	4	kV	All parts
Operating ambient temperature	T_A	-40	125	°C	All parts
Storage ambient temperature	T_{STG}	-50	150	°C	All parts

Note: I_{SINK} is the current flowing through the high side MOSFET, when the high side MOSFET is turned on, and I_{SOURCE} is the current flowing through the low side MOSFET when the low side MOSFET is turned on.

5. Electrical Specifications

$V_{CC} = 3\text{ V}$, $T_A = 25\text{ °C}$, a $0.1\text{ }\mu\text{F}$ capacitor is connected between V_{CC} and GND

Parameter	Symbol	Condition	Min.	Typ.	Max.	Unit	Applicable Part Number
Supply voltage	V_{CC}	operating	1.8	3.0	5.5	V	All parts
Output high voltage	V_{OH}	RP status	$V_{CC}-0.3$	-	V_{CC}	V	All parts
Output low voltage	V_{OL}	OP status	0	-	0.2	V	All parts
Supply current	I_{CC}	output open	0.5	1.5	2	μA	All parts
Response frequency	F	-	0 to 1000			Hz	All parts

6. Magnetic Specifications

$V_{CC} = 3\text{ V}$, $T_A = 25\text{ °C}$, a $0.1\text{ }\mu\text{F}$ capacitor is connected between V_{CC} and GND

TMR13D3

Parameter	Symbol	Min.	Typ.	Max.	Unit
Operate point	B_{OPS}	32	40	48	Gs
	B_{OPN}	-48	-40	-32	Gs
Release point	B_{RPS}	24	30	36	Gs
	B_{RPN}	-36	-30	-24	Gs
Hysteresis	B_H	8	10	12	Gs

TMR13D5

Parameter	Symbol	Min.	Typ.	Max.	Unit
Operate point	B _{OPS}	24	30	36	Gs
	B _{OPN}	-36	-30	-24	Gs
Release point	B _{RPS}	16	20	24	Gs
	B _{RPN}	-24	-20	-16	Gs
Hysteresis	B _H	8	10	12	Gs

TMR13D7

Parameter	Symbol	Min.	Typ.	Max.	Unit
Operate point	B _{OPS}	14	20	26	Gs
	B _{OPN}	-26	-20	-14	Gs
Release point	B _{RPS}	10	14	18	Gs
	B _{RPN}	-18	-14	-10	Gs
Hysteresis	B _H	4	6	8	Gs

TMR13D8

Parameter	Symbol	Min.	Typ.	Max.	Unit
Operate point	B _{OPS}	5	10	15	Gs
	B _{OPN}	-15	-10	-5	Gs
Release point	B _{RPS}	3	5	8	Gs
	B _{RPN}	-8	-5	-3	Gs
Hysteresis	B _H	2	5	7	Gs

7. Typical Supply Voltage Characteristics

TMR13Dx Supply Voltage Characteristics

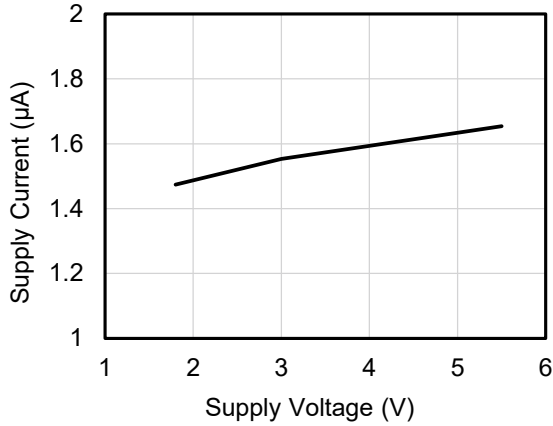


Figure 5. Supply current versus supply voltage ($T_A=25^\circ\text{C}$)

TMR13D3 Supply Voltage Characteristics

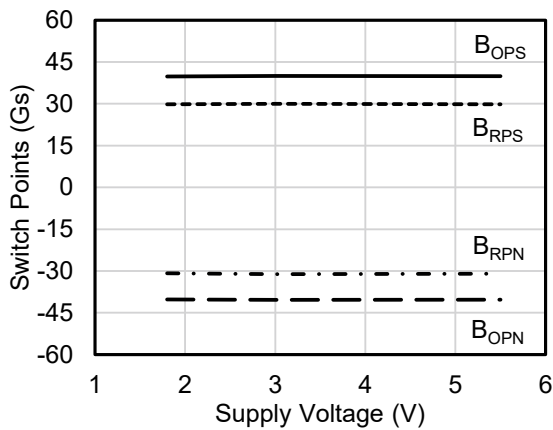


Figure 6. Switch points versus supply voltage ($T_A=25^\circ\text{C}$)

TMR13D5 Supply Voltage Characteristics

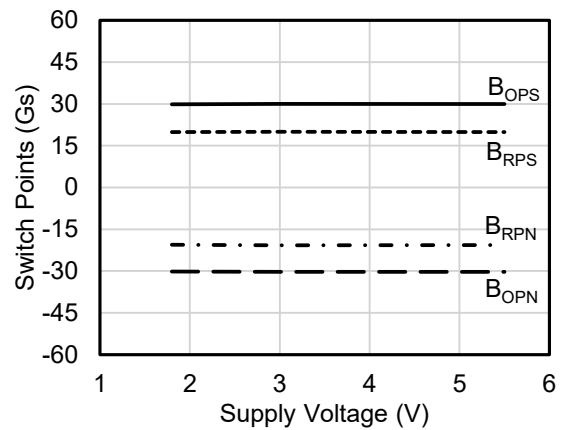


Figure 7. Switch points versus supply voltage ($T_A=25^\circ\text{C}$)

TMR13D7 Supply Voltage Characteristics

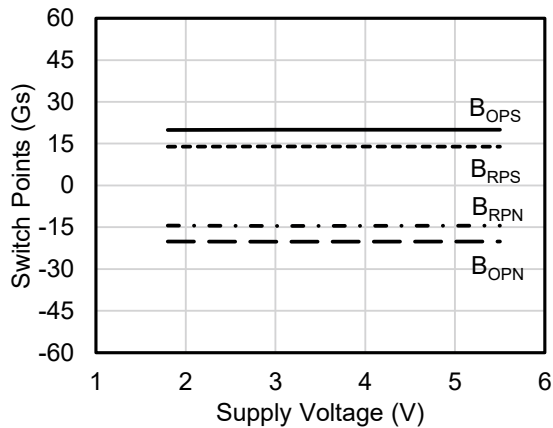


Figure 8. Switch points versus supply voltage ($T_A=25^\circ\text{C}$)

TMR13D8 Supply Voltage Characteristics

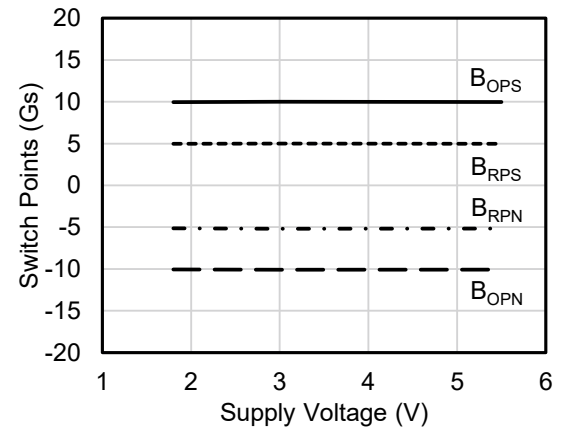


Figure 9. Switch points versus supply voltage ($T_A=25^\circ\text{C}$)

8. Typical Temperature Characteristics

TMR13Dx Supply Temperature Characteristics

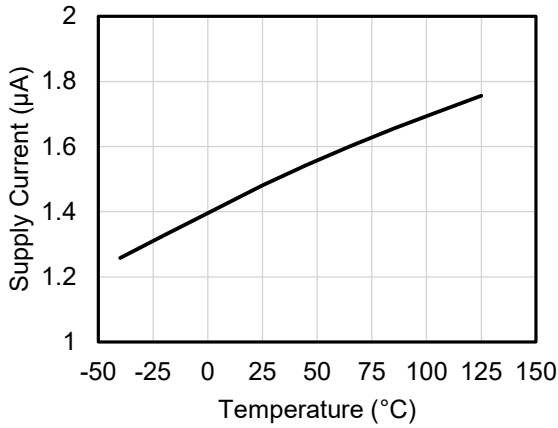


Figure 10. Supply current versus temperature ($V_{CC} = 3\text{ V}$)

TMR13D3 Temperature Characteristics

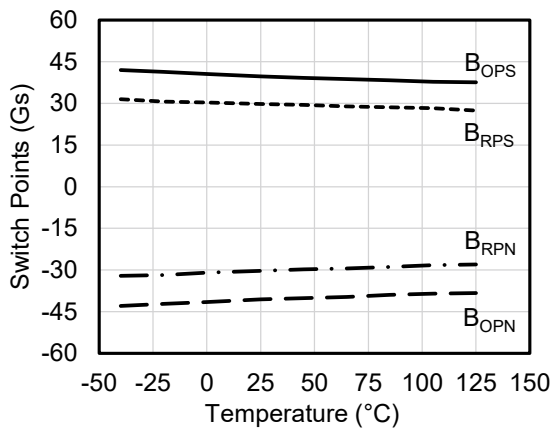


Figure 11. Switch points versus temperature ($V_{CC} = 3\text{ V}$)

TMR13D5 Temperature Characteristics

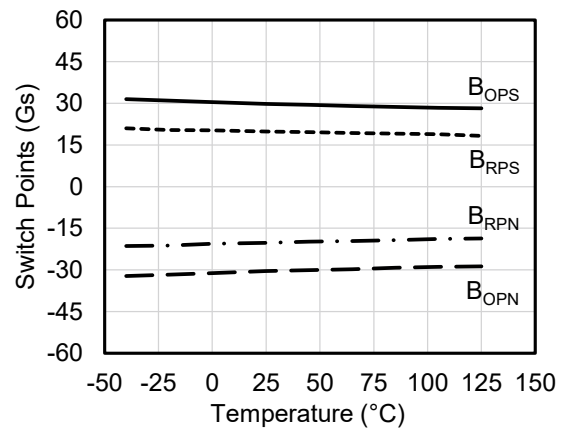


Figure 12. Switch points versus temperature ($V_{CC} = 3\text{ V}$)

TMR13D7 Temperature Characteristics

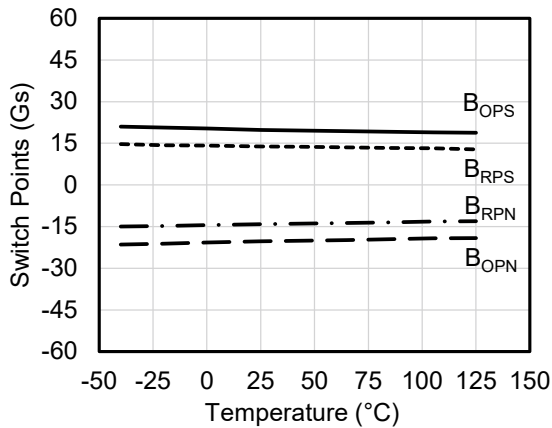


Figure 13. Switch points versus temperature ($V_{CC} = 3\text{ V}$)

TMR13D8 Temperature Characteristics

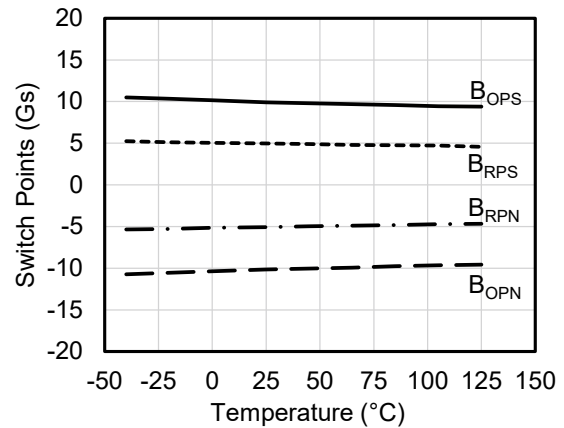


Figure 14. Switch points versus temperature ($V_{CC} = 3\text{ V}$)

9. Application Information

It is recommended to add a filter capacitor between the sensor power supply and ground (close to the sensor) to reduce external noise. As shown in Figure 15, the typical value is 0.1 μF .

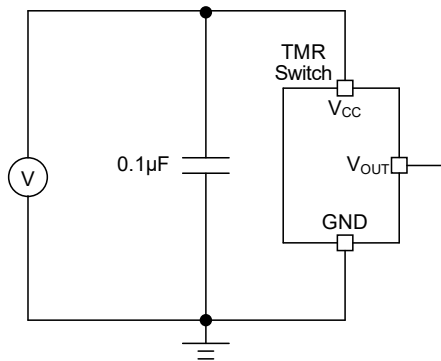


Figure 15. Application circuit diagram

The TMR13Dx series sensor chips are not suitable for driving power loads. Figure 16 illustrates the general method of improving the drive capability is utilizing the output voltage of V_{OUT} pin as a signal to input the MCU or drive a triode or MOS.

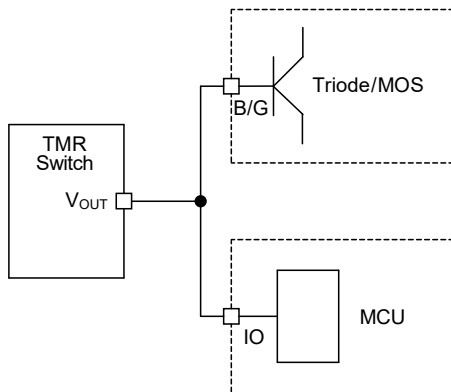


Figure 16. Application diagram for driving power load

Common failure conditions:

- The supply voltage exceeds the limit of absolute maximum ratings
- Absence of matching filter capacitor to power supply when the power supply is unstable, which can cause the product to restart repeatedly
- Using switch output V_{OUT} to control high-power relays, etc., and cause I_{SINK} and I_{SOURCE} exceeding the limit of absolute maximum ratings
- The external magnetic field exceeds the limit of absolute maximum ratings
- Operating in a humid environment for a long time, causing vapor penetration and increased power consumption
- Overheating when soldering
- Over bending of pins

The TMR13Dx power-up phase reads the switch point values in the register within the voltage range of $1.2\text{ V} < V_{\text{CC}} < 1.4\text{ V}$. Excessive filtering capacitance (10 μF or higher) will cause the chip to stay between 1.2 V and 1.4 V for a long time during power-up and power-down, causing the register to error and the TMR13Dx to operate abnormally. Please avoid longer power-up and power-down times when using, and the recommended power-up and power-down timing are shown in Figure 17 and 18.

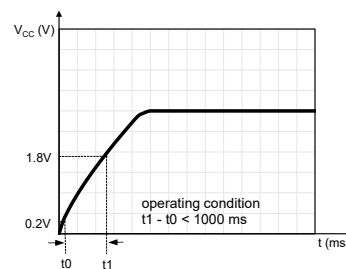


Figure 17. Power up timing

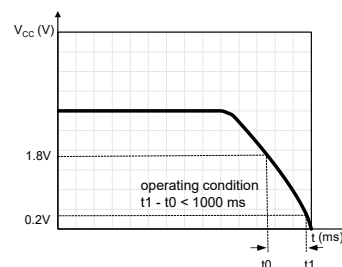


Figure 18. Power down timing

10. Dimensions

SOT23-3 Package

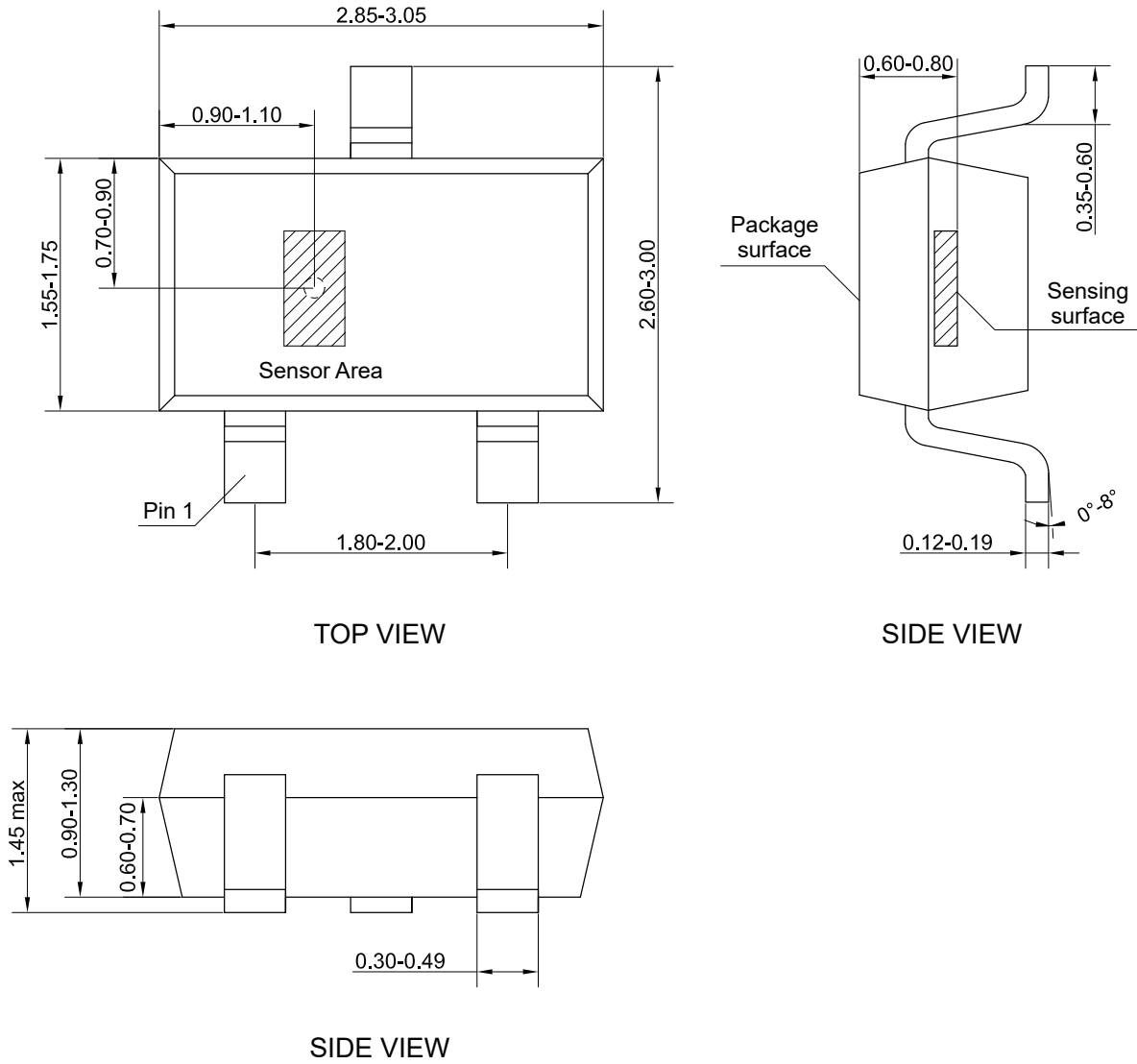


Figure 19. Package outline of SOT23-3 (unit: mm)

TO92S Package

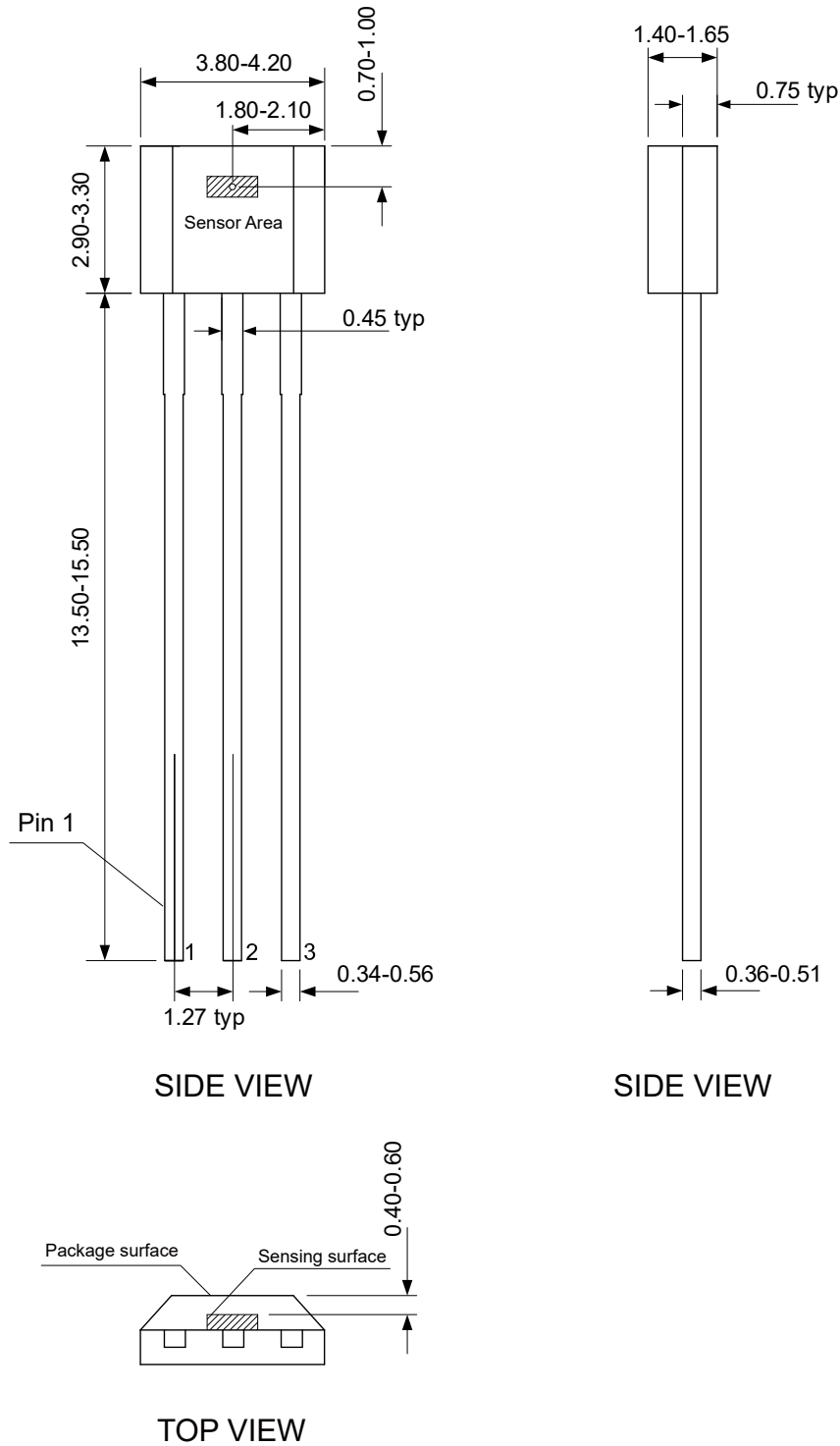


Figure 20. Package outline of TO92S (unit: mm)

Copyright © 2021 by MultiDimension Technology Co., Ltd.

Information furnished herein by MultiDimension Technology Co., Ltd. (hereinafter MDT) is believed to be accurate and reliable. However, MDT disclaims any and all warranties and liabilities of any kind, with respect to any examples, hints or any performance or use of technical data as described herein and/or any information regarding the application of the product, including without limitation warranties of non-infringement of intellectual property rights of any third party. This document neither conveys nor implies any license under patent or other industrial or intellectual property rights. Customer or any third-party must further determine the suitability of the MDT products for its applications to avoid the applications default of customer or third-party. MDT accept no liability in this respect.

MDT does not assume any liabilities of any indirect, incidental, punitive, special or consequential damages (including without limitation of lost profits, lost savings, business interruption, costs related to the removal or replacement of any products or rework charges) whether or not such damages are based on tort (including negligence), warranty, breach of contract or any other legal theory. Notwithstanding any damages that customer might incur for any reason whatsoever, MDT's aggregate and cumulative liability towards customer for the products described herein shall be limited in accordance with the terms and conditions of commercial sale of MDT.

Absolute maximum ratings are the extreme limits the device will withstand without damage to the MDT product. However, the electrical and mechanical characteristics are not guaranteed as the maximum limits (above recommended operating conditions) are approached. MDT disclaims any and all warranties and liabilities of the MDT product will operate at absolute maximum ratings.

Specifications may change without notice.

Please download latest document from our official website www.dowaytech.com/en.

Recycling

The product(s) in this document need to be handed over to a qualified solid waste management services company for recycling in accordance with relevant regulations on waste classification after the end of the product(s) life.



No.2 Guangdong Road, Zhangjiagang Free Trade Zone, Jiangsu, China

Web: www.dowaytech.com/en E-mail: info@dowaytech.com

