

# Brushed DC Motor M25N-1 (Ø 24.4 x 30.8mm)

**MITSUMI**

## Features

Carbon Brush  
Weight: 46.8g

## Applications

Printer

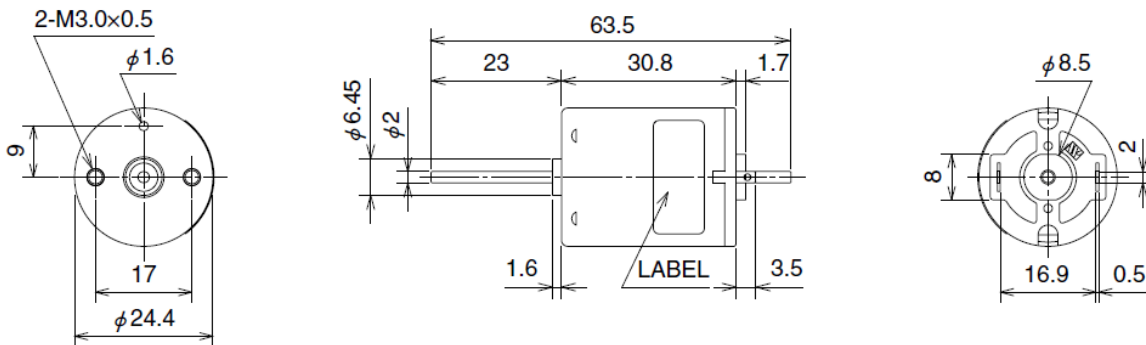


## Specifications

MODEL	Voltage		No Load		Rated Load		Rated Load		Starting Torque		Starting Current	Shaft Length
	Operating	Rated	Speed	Current	gf·cm	mN·m	Speed	Current	gf·cm	mN·m		
	V	V	min <sup>-1</sup>	mA			min <sup>-1</sup>	mA			gf·cm	mN·m
M25N-1	12 to 24	12	5500	35	31.6	3.10	4500	193	164	16.1	938	*

*Characteristics and shaft length can be customized*

## External Dimensions



Unit:mm

## Characteristic Curve

