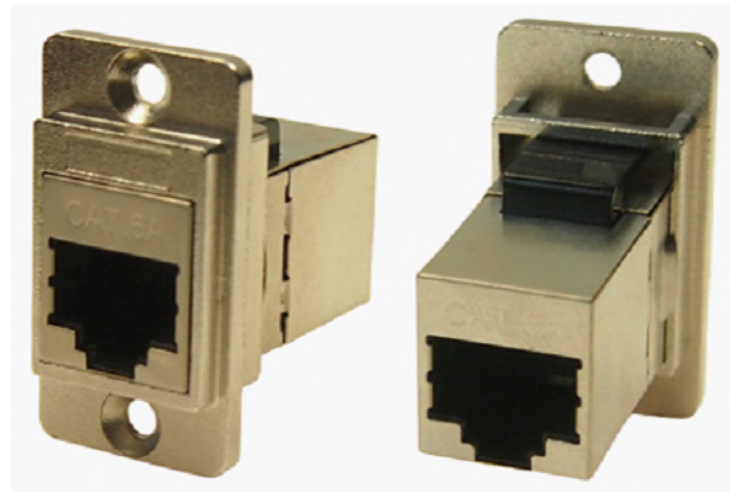
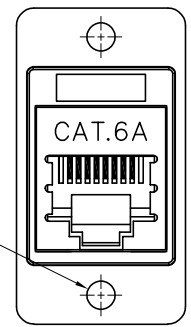
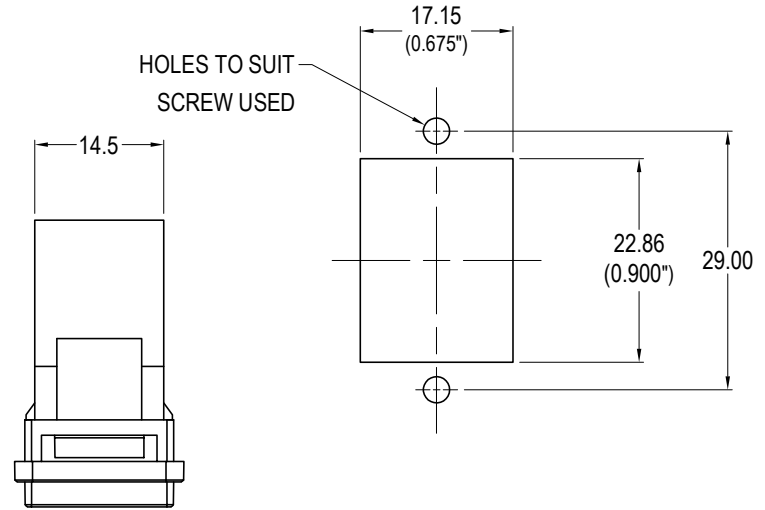


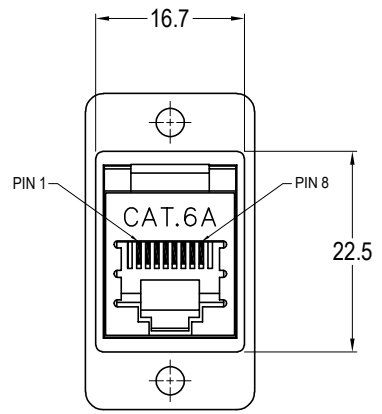
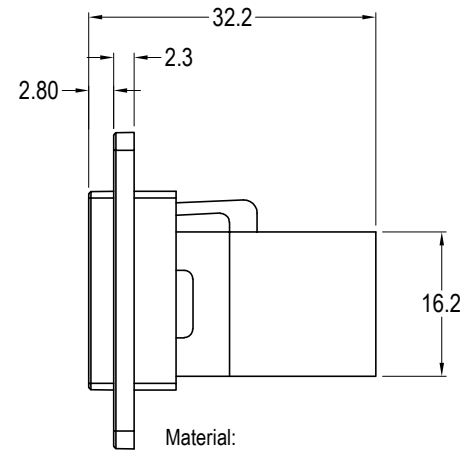
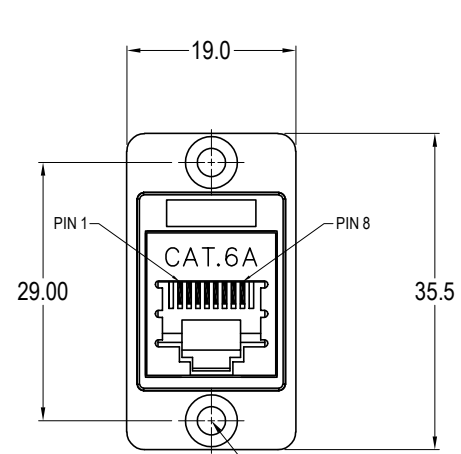
ISS.	AMEND	DATE
1	ISSUED	01/03/21



DUAL MOUNT
CAN BE FRONT OR REAR MOUNTED



Ø3.20 PLAIN HOLE
CP30725SMX1



VARIANTS	
PART NO.	HOLE DETAILS
CP30725SM	HOLE Ø3.2 x CSK 90° x Ø5.85
CP30725SM3	M3 HOLES
CP30725SM440	#4-40 UNC HOLES
CP30725SMX1	PLAIN HOLE Ø3.2

4x HOLE VARIANTS
Ø3.2mm CSK 90° x Ø5.85
M3 x 0.5 THREAD
#4-40 UNC THREAD
PLAIN Ø3.2 HOLES

- Material:
- RJ45 In-Line Coupler:
Black PC or ABS, UL94 V-0 Fully Shielded
 - RJ45 In-Line Coupler Contact:
Phosphor Bronze, 3-50 micro inches
gold plating over nickel plate.
 - PCB: FR4, UL94 V-0
 - FT Frame: Zinc Diecast, Nickel Plated

- Performance:
- T568A & T568B wiring.
 - Meet ISO/IEC 11801 and EN50173
 - Meet ANSI/TIA/EIA 568B.2
 - Operating Temperatures: Min -10°C Max +70°C

RoHS
COMPLIANT

TOLERANCE
NO DEC. PLACE ±
1 DEC. PLACE ±
2 DEC. PLACE ±
HOLE Ø ±
ANGLES ±
UNLESS
OTHERWISE STATED

Cliff Electronic Components Ltd.
76 Holmethorpe Avenue, Holmethorpe Industrial Estate,
Redhill, Surrey, RH1 2PF, England, UK
Tel: 01737-771375 Fax: 01737-766012 Website: www.cliffuk.co.uk

DIMENSIONS IN MILLIMETERS UNLESS OTHERWISE STATED. WORK TO DIMENSIONS. REMOVE ALL BURRS. IF IN DOUBT ASK.

3rd ANGLE PROJECTION:

MATERIAL: See Notes
FINISH: See Notes

TITLE: DUAL MOUNT METAL SLIM FT CAT6A RJ45 SHIELDED

THE CONTENTS OF THIS DOCUMENT MUST NOT BE COPIED OR DISCLOSED TO A 3rd PARTY WITHOUT WRITTEN PERMISSION OF CLIFF UK. © 2021

DRAWN: T.J.O.

APPROVED: D.P.J.

DRWG. No. CP30725SM FORM: A4DRWGH