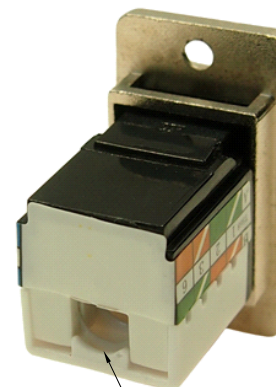
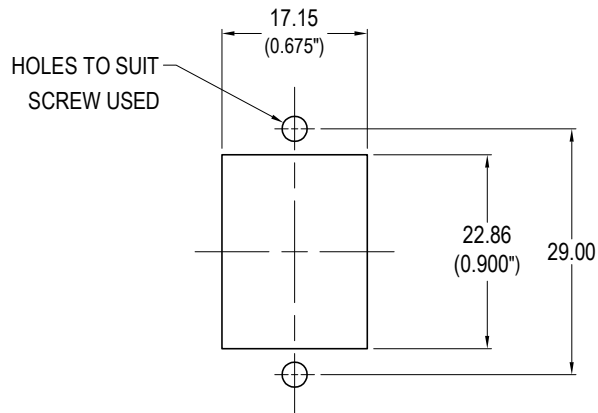
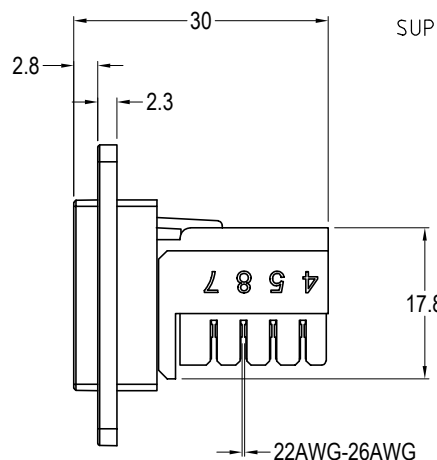
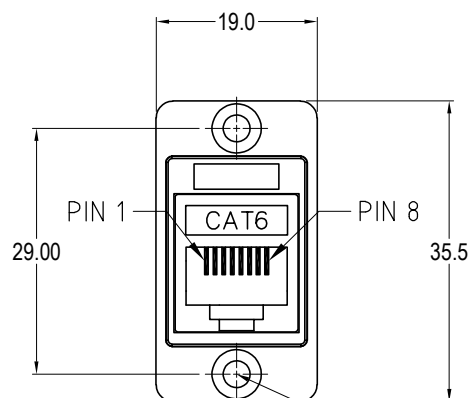
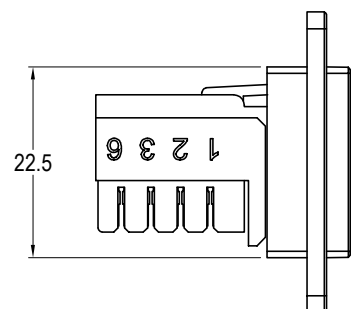


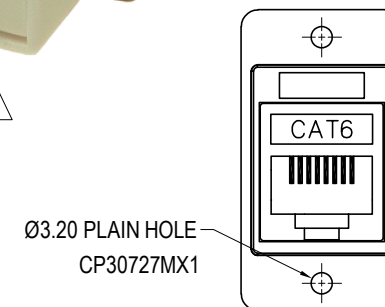
## DUAL MOUNT CAN BE FRONT OR REAR MOUNTED



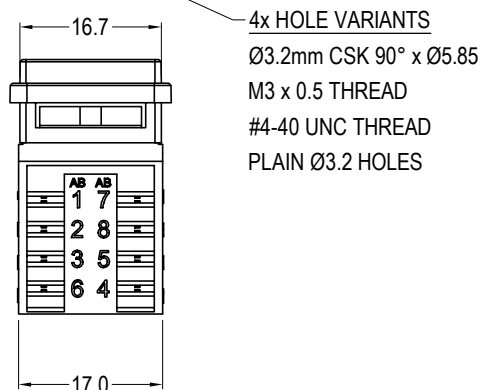
ISS.	AMEND	DATE
1	ISSUED	05/07/21
2	ADD 22AWG-26AWG	14/10/21



SUPPLIED WITH COVER



NOTE COVER  
NOT SHOWN



VARIANTS	
PART NO.	HOLE DETAILS
CP30727M	HOLE Ø3.2 x CSK 90° x Ø5.85
CP30727M3	M3 HOLES
CP30727M440	#4-40 HOLES
CP30727MX1	PLAIN HOLE Ø3.2

### Material:

1. RJ45 / IDC / Cover : PC
2. RJ45: Phosphor Bronze, gold plated
3. IDC: Phosphor Bronze, nickel plated
4. PCB: FR4
5. Frame: Diecast, Nickel plated

### Performance:

1. T568A + T568B wiring.

**RoHS**  
COMPLIANT

**TOLERANCE**  
NO DEC. PLACE ±  
1 DEC. PLACE ±  
2 DEC. PLACE ±  
HOLE Ø ±  
ANGLES ±  
UNLESS  
OTHERWISE STATED

**Cliff Electronic Components Ltd.**

76 Holmethorpe Avenue, Holmethorpe Industrial Estate,  
Redhill, Surrey, RH1 2PF, England, UK  
Tel: 01737-771375 Fax: 01737-766012 Website: www.cliffuk.co.uk

THE CONTENTS OF THIS DOCUMENT MUST NOT BE COPIED OR DISCLOSED  
TO A 3rd PARTY WITHOUT WRITTEN PERMISSION OF CLIFF UK. © 2021

DIMENSIONS IN MILLIMETERS UNLESS OTHERWISE STATED. WORK TO DIMENSIONS. REMOVE ALL BURRS. IF IN DOUBT ASK.

MATERIAL: SEE NOTES

FINISH: SEE NOTES

DRAWN: T.J.O.

APPROVED: D.P.J.

3rd ANGLE PROJECTION:

TITLE: DUAL MOUNT SLIM METAL CAT6 IDC

DRWG. No. CP30727M

DO NOT SCALE

FORM: A4DRWGH